



FABRYKA APARATURY ELEKTRYCZNEJ

**EMA – ELFA Sp. z o.o.**

ul. Poczta 7, 63-500 Ostrzeszów

tel.: +48 62 730 30 51

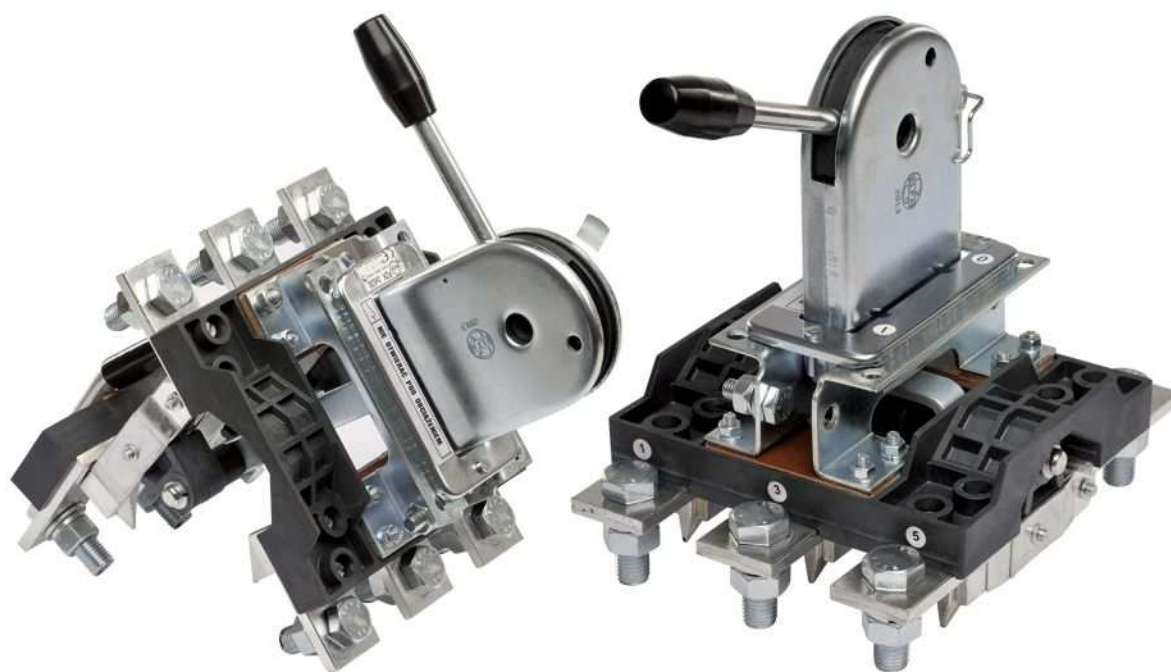
fax: +48 62 730 33 06

handel@ema-elfa.pl

www.ema-elfa.pl

**Cantoni**®  
GROUP

## DISCONNECTORS OZK , SWITCHES PZK



**UL 94 V-0**

CE



Disconnectors OZK and switches PZK are used for closing, opening or change-over of circuits which are not under load in industrial networks for DC and AC current. They can be installed and operated in closed premises in temperate or maritime-tropical climates.

Opening, closing or switching – over of main lines is done by hand operated level.

Implementation dependent on the number of terminals , II, III Products meet the requirements of harmonized standards and directives PN-EN 60947-1 ; PN-EN 60947-3, 73/23/EEC.

Responsible components are made of non-combustible materials.



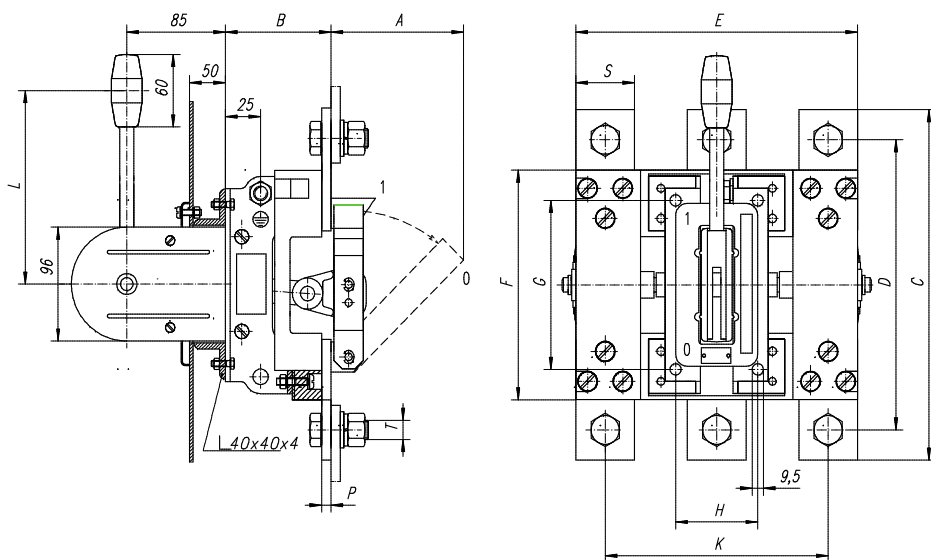
**For closing, opening or switching under load circuits:**

- ❖ as disconnectors isolation during maintenance of electrical circuits,
- ❖ as switches allow switching circuits without the load, eg. common switch unit / network.

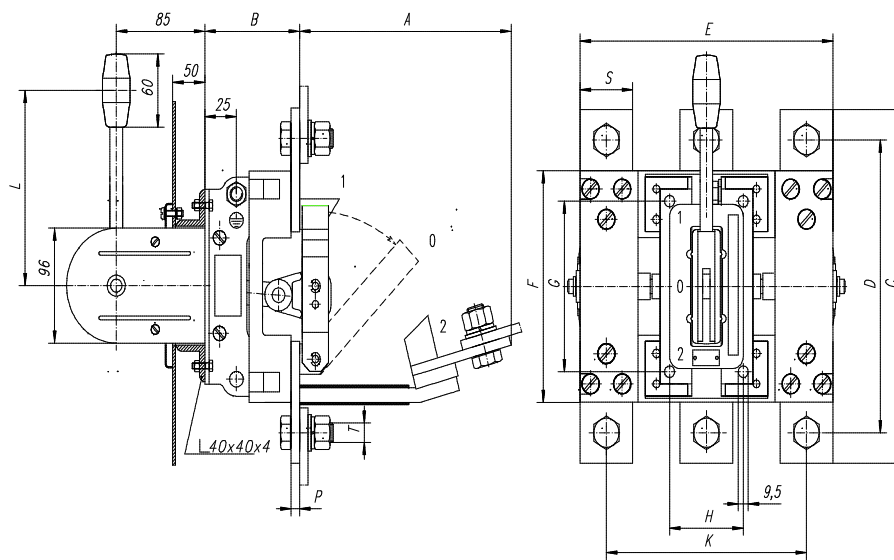
Typ		OZK i PZK				
Size		400	630	1250	1600	
		<b>PN-EN 60947-1 ; PN-EN 60947-3 73/23/EEC</b>				
Flammability class		<b>UL 94 V-0</b>				
Number of terminals		II, III				
Rated voltage of insulation	[V]	660				
Rated frequency	[Hz]	50				
Rated continuous current	A	400 (250)*	630 (400)*	1250 (630)*	1600 (1250)*	
Rated switching frequency	l/h	2			½	
User categorie		AC 20A DC 20A				
Rated voltage – voltage surge	[V]	4000				
Switch fault protection	A	400	630	1250	1600	
Rated peak current	kA max.	36	52,5	95	105	
0,2 sec. current rating	kA	18	25	45	50	
Mechanical life	work cycles	1500			5000	
Permissible shock and vibrations		constant acceleration 1 g <sub>n</sub> at vibrations 5-50 Hz 2 g <sub>n</sub> at shocks				
Weight	OZK II PZK II OZK III PZK III	[kg]	3,6 4,4 4,7 6,1	5,1 6,4 6,5 8,6	7,1 10,6 9,6 12,7	14,2 17,1 16,1 19,2

\* Rated continuous current rating for maritime tropical made installation is given in brackets

### Disconnectors OZK



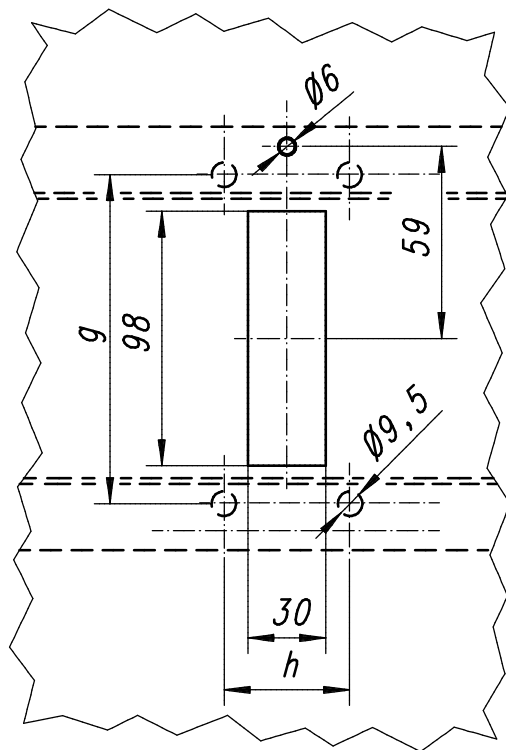
### Disconnectors PZK



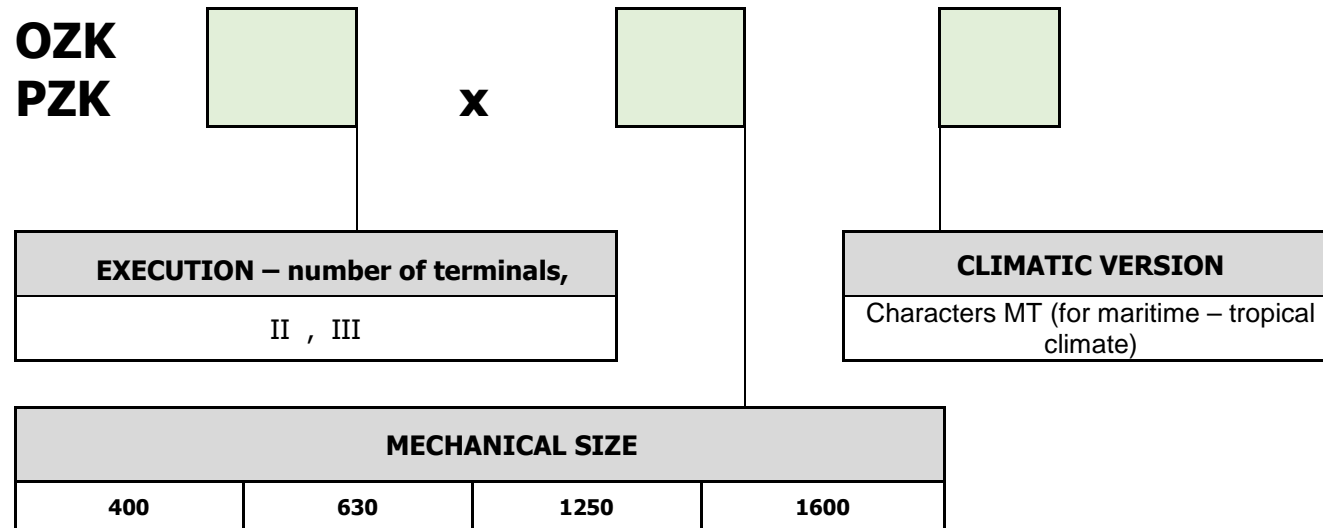
Size	Number of terminals	A	b	c	d	e	f	g	h	k	l	p	s	t
400	II	110	78	241	211	190	170	130	70	2x70 140	145	5	30	M16 x 35
	III													
630	II	130	81	201	250	190	140	70	2x95 190	145	8	40	50	M16 x 45
	III													
1250	II	130	90	290	240	250	190	140	70	2x95 190	145	8	50	M16 x 45
	III													
1600	II	130	97	310	250	250	190	140	70	2x95 190	145	15	50	M20 x 55
	III													

Size	Number of terminals	a	b	c	d	e	f	g	h	k	l	p	s	t
400	II	185	78	241	211	190	170	130	70	2x70 140	145	5	30	M16 x 35
	III													
630	II	185	81	201	250	190	140	70	2x95 190	145	8	40	50	M16 x 45
	III													
1250	II	220	90	290	240	250	190	140	70	2x95 190	145	8	50	M16 x 45
	III													
1600	II	220	97	310	250	250	190	140	70	2x95 190	145	15	50	M20 x 55
	III													

**Panel openings for mounting of OZK and PZK:**



**Marking and ordering**



**EXAMPLE:**

OZK 3 x 400  
PZK 2 x 1250 MT

**The producer reserves the right to modify as a result of developing the product.  
It is possible to realize special versions.**