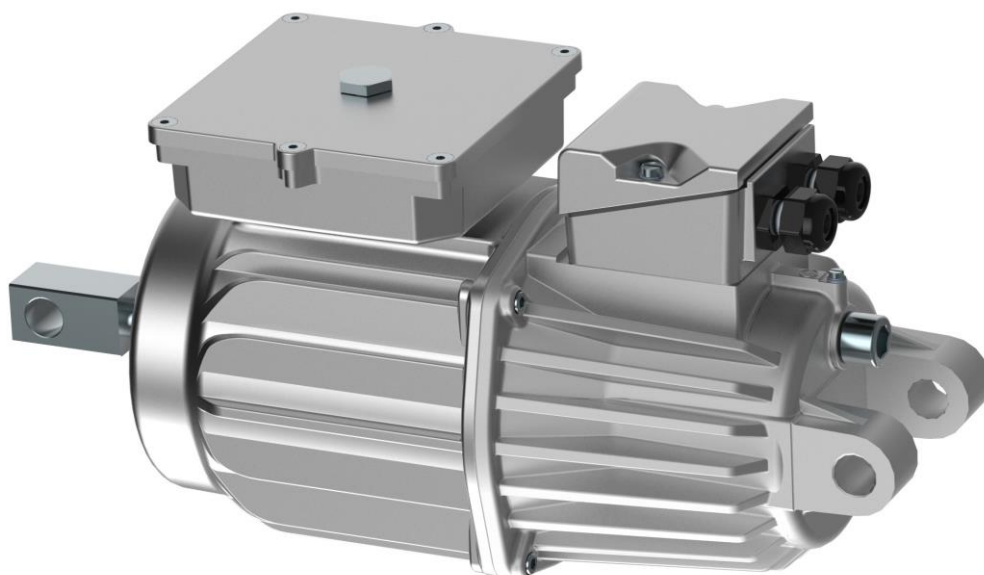




FABRYKA APARATURY ELEKTRYCZNEJ  
EMA – ELFA Sp. z o.o.  
63-500 OSTRZESZÓW ul. Pocztowa 7  
tel : 0-62 / 730-30-51  
fax : 0-62 / 730-33-06  
[http:// www.ema-elfa.pl](http://www.ema-elfa.pl)  
e-mail : [handel@ema-elfa.pl](mailto:handel@ema-elfa.pl)



# ELECTROHYDRAULIC RELEASES FOR HORIZONTAL OPERATION ZE-Lv, ZE-DIN-Lv



K-EN-ZE-Lv-20150227

## Applications

ZE-Lv and ZE-DIN-Lv releases are based on ZE and ZE DIN releases, but intended for horizontal operation.

Releases are driven by inductive three-phase cage motors, installed inside the release housing, which can be rated up to 500 V AC and 50 Hz.

The release can be used both for continuous operation S1 as well as for periodically interrupted operation S3 with relative loading time up to 100% and number of actuations up to 2000 c / h.

## Release version

**ZE –Lv** - denotes the version of releases intended for horizontal operation

**ZE –Lvp** - denotes the version of releases intended for horizontal operation  
(a version with a support)

**Currently, in the Lv version we are offering releases with 50 and 60 mm strokes ( other piston rod strokes available after prior arrangement).**

## Version

Normal N/1 – intended for outdoor operation, in moderate climatic conditions.

The release has an oil-tight enclosure with terminal box of protection rating IP 65 according to PN-EN 60529:2003.

Lv releases are intended for operation in horizontal position and in positions the angle of 15° relative to horizontal.

Ambient temperature:

-25 °C to +40 °C (electro-insulating transformer oil)

-40 °C to +50 °C (DOW CORNING Fluid 200 – 10 cSt silicon oil)

## Technical data

Technical specifications of releases can be found in catalogue data of ZE and ZE-DIN releases.

## Sample order

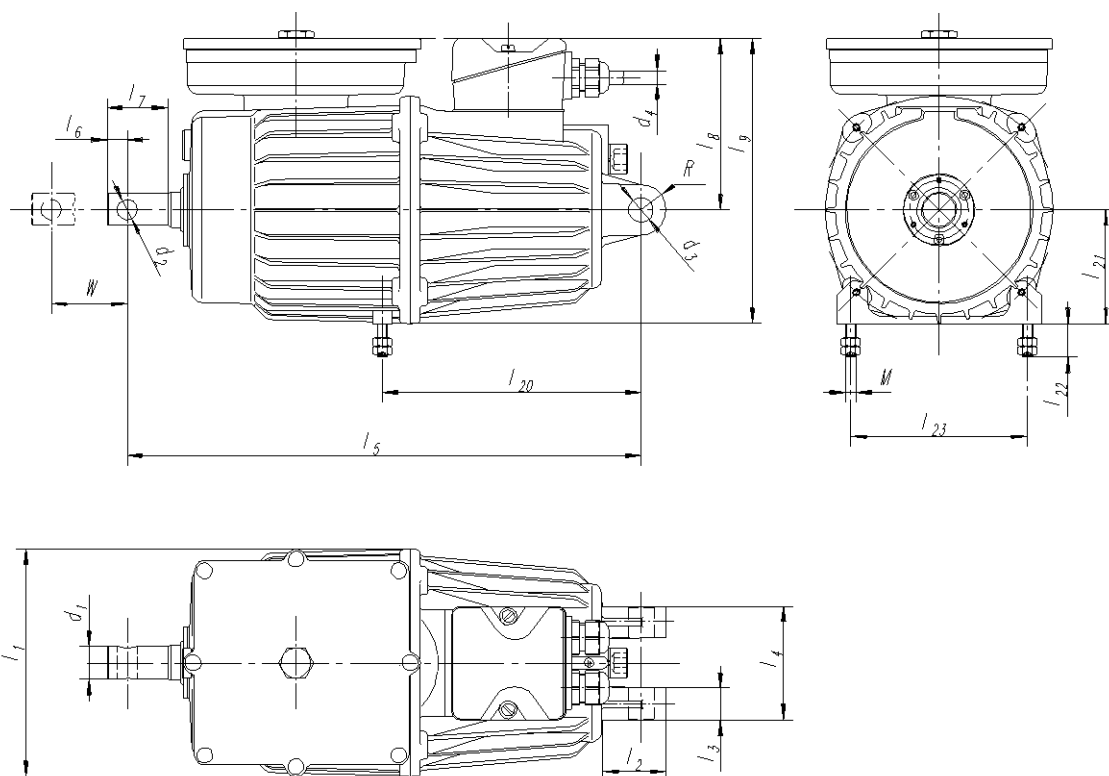
ZE 500-50-DIN-Lv.500 VAC/50Hz

ZE 2000/120 S1250-Lv.400 VAC/50Hz

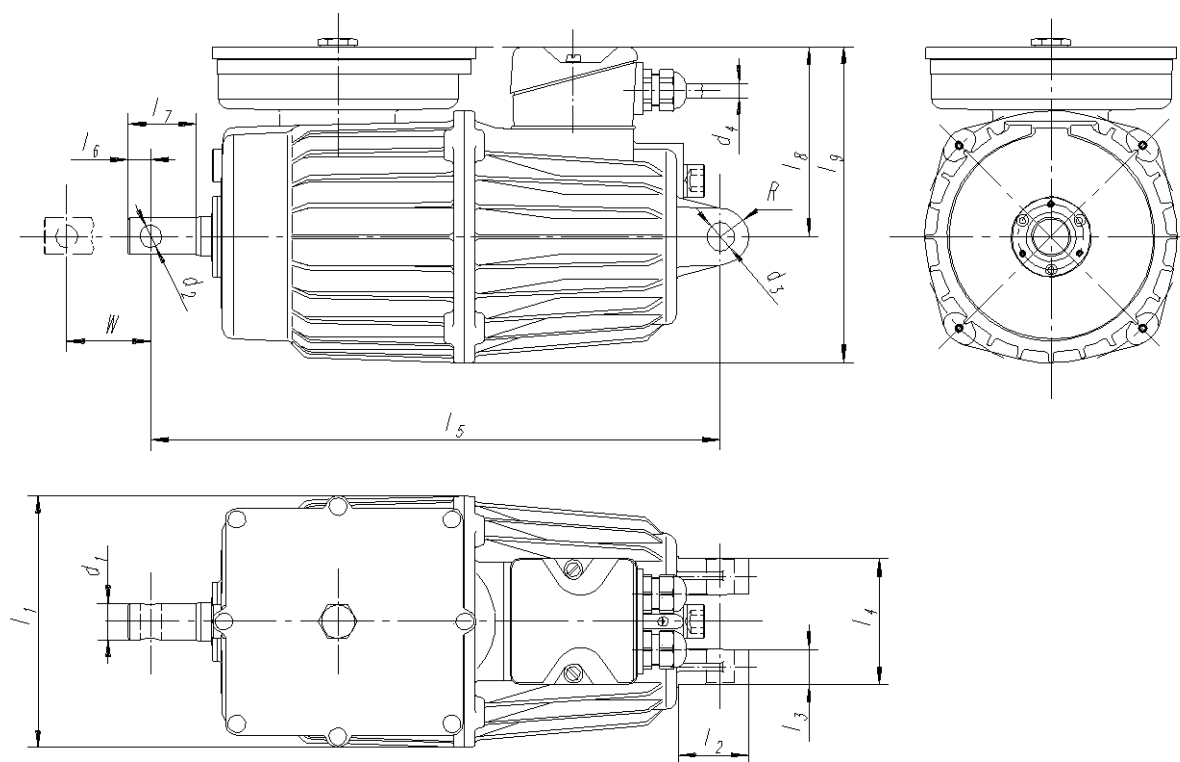
ZEW 1250/60-Lv.400 VAC/50Hz

**The producer reserves the right to modify as a result of developing the product.  
It is possible to realize special versions.**

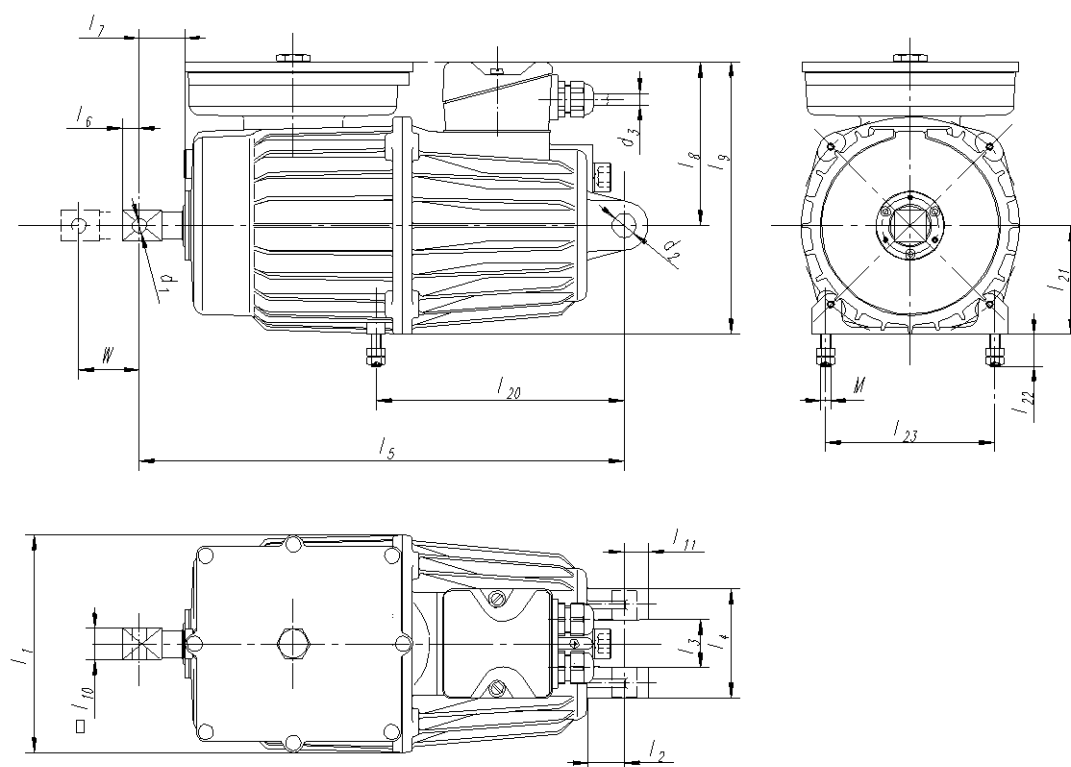
### Physical dimensions ZE-Lvp



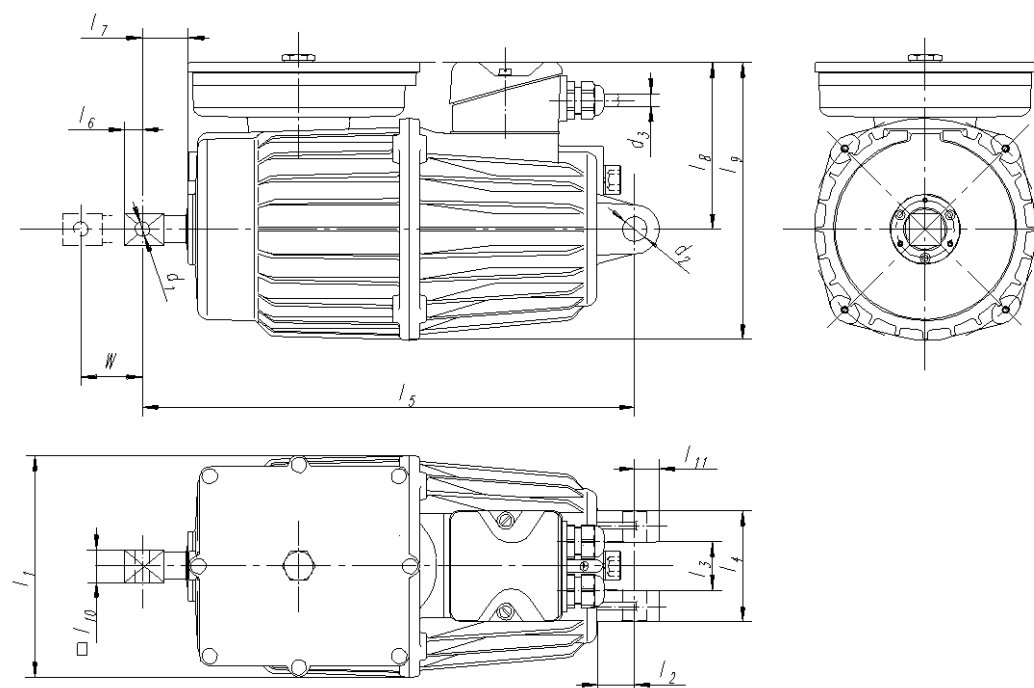
### Physical dimensions ZE-Lv



### Physical dimensions ZE-DIN-Lvp



### Physical dimensions ZE-DIN-Lv



Dimensions [ mm ]	ZE 500 / 50														ZE 800 / 60 ZE 1250 / 60 ZE 1500 / 60		ZE 800 / 75 ZE 1250 / 75 ZE 1500 / 75		ZE 800 / 120 ZE 1250 / 120 ZE 1500 / 120		ZE 800 / 160 ZE 1250 / 160 ZE 1500 / 160		ZE 2000 / 80		ZE 2000 / 120		ZE 2500 / 60		ZE 2500 / 120		ZE 2500 / 160		ZE 3200 / 60		ZE 3200 / 80		ZE 3200 / 100		ZE 3200 / 120	
	$l_1$	180														210				254																				
$l_2$	50																		55																					
$l_3$																			25																					
$l_4 \pm 0,3$																			90																					
$l_5$	400		458		485		530		573		530		573		549		620		660		620		660																	
$l_6$	12														16				20																					
$l_7$	41														48,5				58																					
$l_8$	135														143				152																					
$l_9$	225														248				279																					
$d_1 e8$	20														26				34																					
$d_2 F9$	12														16				20																					
$d_3 D11$																			20																					
$d_4$																			9÷14																					
$R$	20																		25																					
$W$	50		60		75		120		160		80		120		60		120		160		60		80		100		120													

Dimensions [ mm ]	ZE 500-50-DIN		ZE 500-60-DIN		ZE 800-60-DIN		ZE 800-120-DIN		ZE 800-160-DIN		ZE 1250-60-DIN ZE 1500-60-DIN		ZE 1250-120-DIN		ZE 1250-160-DIN ZE 1500-160-DIN		ZE 2000-60-DIN ZE 2500-60-DIN		ZE 2000-120-DIN		ZE 2500-160-DIN		ZE 3000-60-DIN		ZE 3000-120-DIN		ZE 3200-100-DIN					
	$l_1$	180										210																254				
$l_2$	30																															
$l_3$	60 <sup>+2</sup>																															
$l_4^{+1}$					120																											
$l_5$	435		458		530		573		645		705		645		705		645		705		660		705		660							
$l_6$			18																													
$l_7$	71		42,5		44,5		46,5		103				144		97		52		97		52		97		52							
$l_8$	135								143												152											
$l_9$	225								248												279											
$l_{10-0,1}$			30														40															
$L_{11}$	20		22																													
$d_1 F9$			20																													
$d_2^{+0,1}$			20,1																													
$d_3$																			9÷14													
$W$	50		60		60		120		160		60		120		160		60		120		160		60		120		100					

### Dimensions for the Lvp make:

Dimensions [ mm ]	ZE 500 / 50-Lvp														ZE 800 / 60-Lvp ZE 1250 / 60-Lvp ZE 1500 / 60-Lvp		ZE 800 / 75-Lvp ZE 1250 / 75-Lvp ZE 1500 / 75-Lvp		ZE 800 / 120-Lvp ZE 1250 / 120-Lvp ZE 1500 / 120-Lvp		ZE 800 / 160-Lvp ZE 1250 / 160-Lvp ZE 1500 / 160-Lvp		ZE 2000 / 80-Lvp		ZE 2000 / 120-Lvp		ZE 2500 / 60-Lvp		ZE 2500 / 120-Lvp		ZE 2500 / 160-Lvp		ZE 3200 / 60-Lvp		ZE 3200 / 80-Lvp		ZE 3200 / 100-Lvp		ZE 3200 / 120-Lvp	
	$L_{20}$	203,5														237,5				249																				
$L_{21}$	92														105				127																					
$L_{22}$															32				35																					
$L_{23}$	156														180				216																					
$M$															M8				M10																					

Dimensions [ mm ]	ZE 500-50-DIN-Lvp		ZE 500-60-DIN-Lvp		ZE 800-60-DIN-Lvp		ZE 800-120-DIN-Lvp		ZE 800-160-DIN-Lvp		ZE 1250-60-DIN-Lvp ZE 1500-60-DIN-Lvp		ZE 1250-120-DIN-Lvp		ZE 1250-160-DIN-Lvp ZE 1500-160-DIN-Lvp		ZE 2000-60-DIN-Lvp ZE 2500-60-DIN-Lvp		ZE 2000-120-DIN-Lvp		ZE 2500-160-DIN-Lvp		ZE 3000-60-DIN-Lvp		ZE 3000-120-DIN-Lvp		ZE 3200-100-DIN-Lvp					
	$L_{20}$	195,5										237,5																249				
$L_{21}$	92																										127					
$L_{22}$											32																35					
$L_{23}$	156										180																216					
$M$															M8				M10													