

Motor type

**3SIE180L-B3**

(according to KK-35-01)

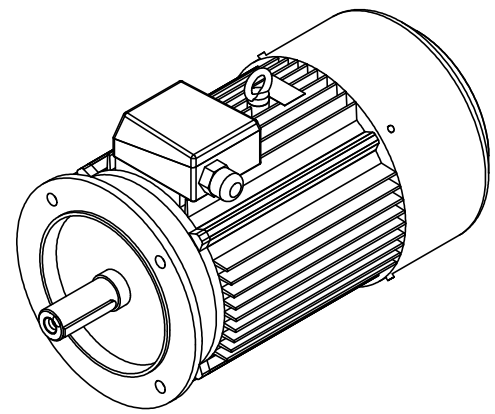
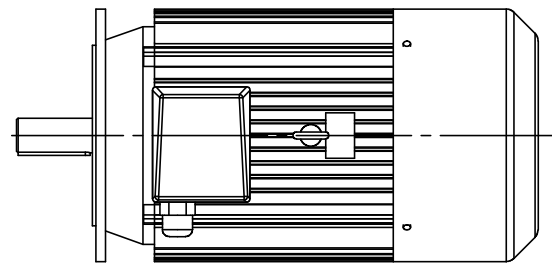
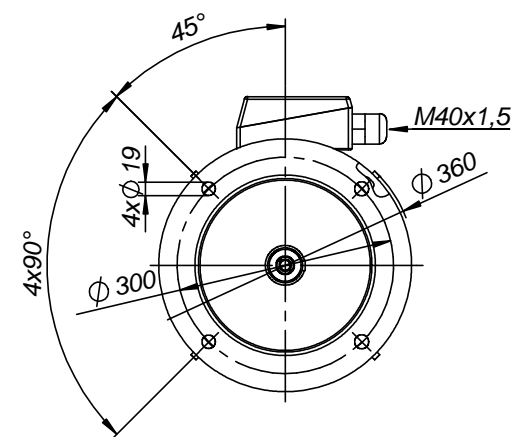
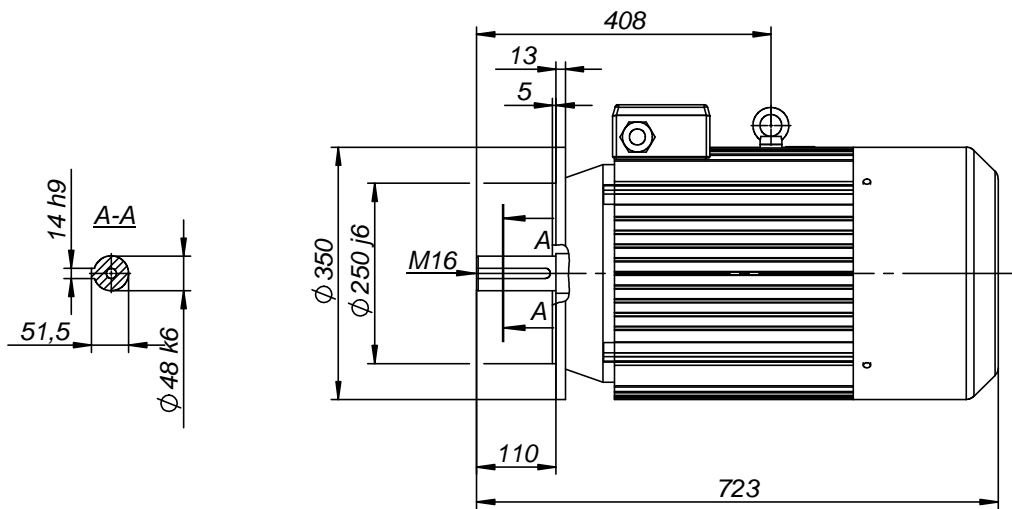


Drawing no.

**S-1438-01-2014**

Scale

**1:10**



Motor type

**3SIEK180M;L-B5**

(according to KK-35-01)

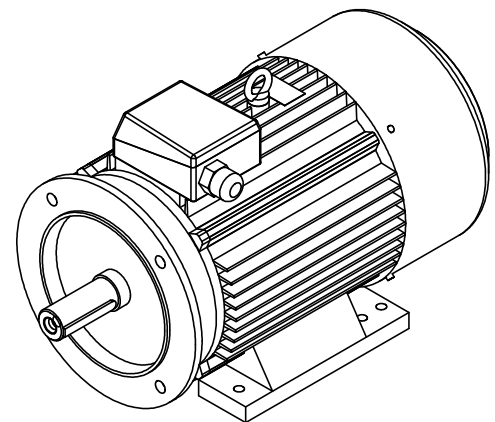
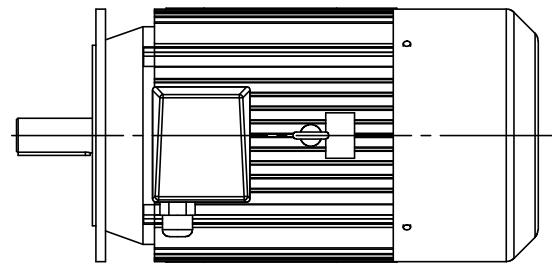
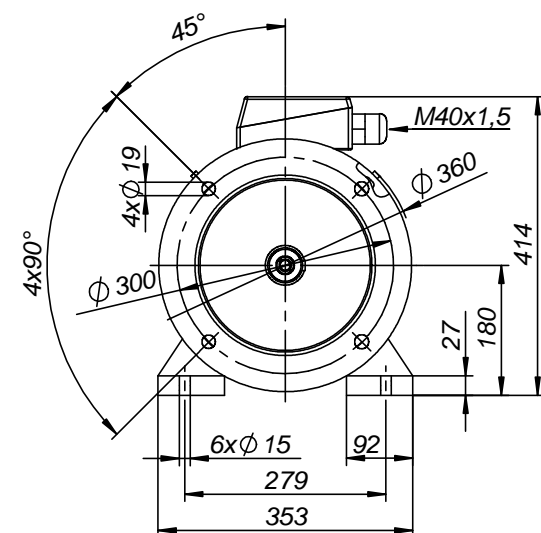
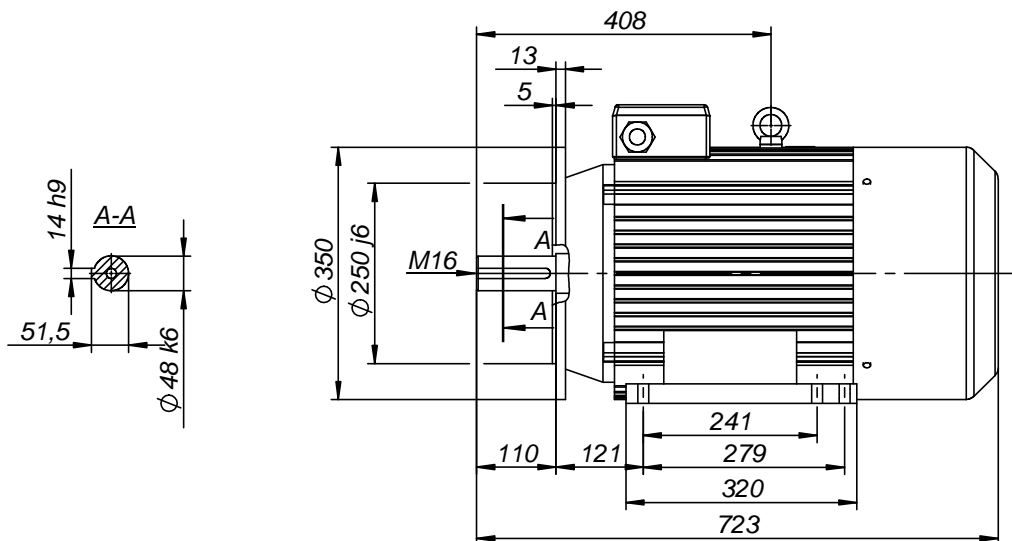


Drawing no.

**S-1441-01-2014**

Scale

**1:10**



Motor type

**3SIEL180L-B35**

(according to KK-35-01)



Drawing no.

**S-1447-01-2014**

Scale

**1:10**