

Motor type

3SIE132M2;M2A;M4A;M4B-B3

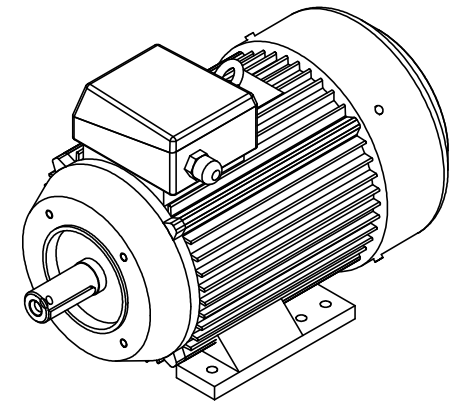
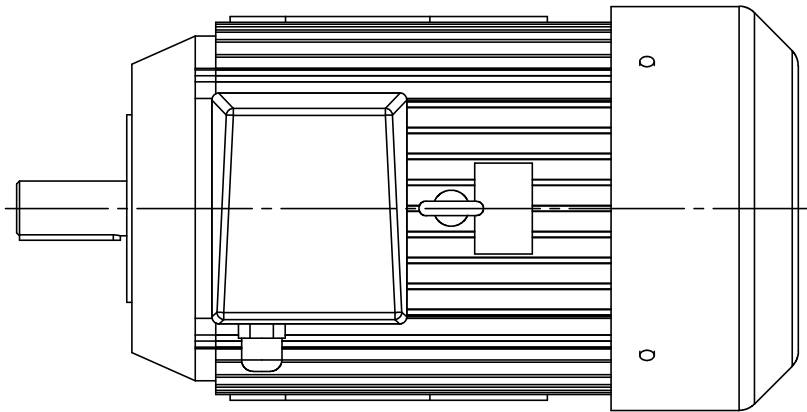
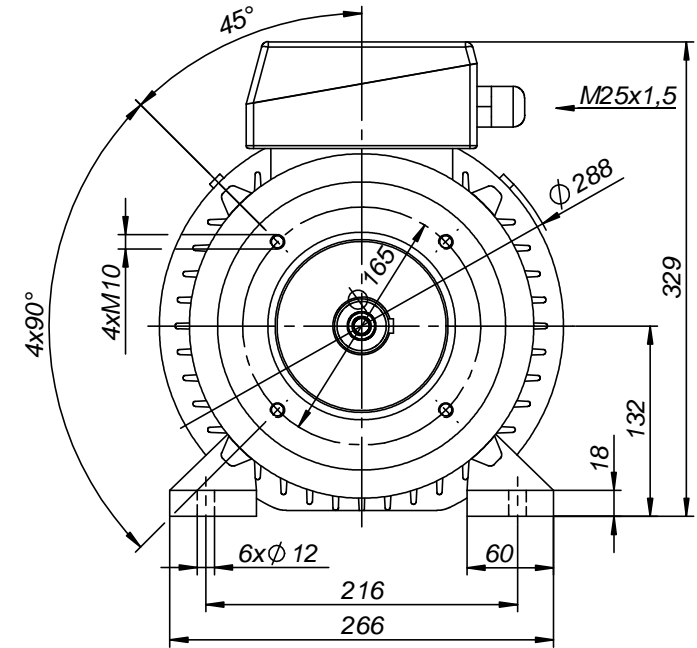
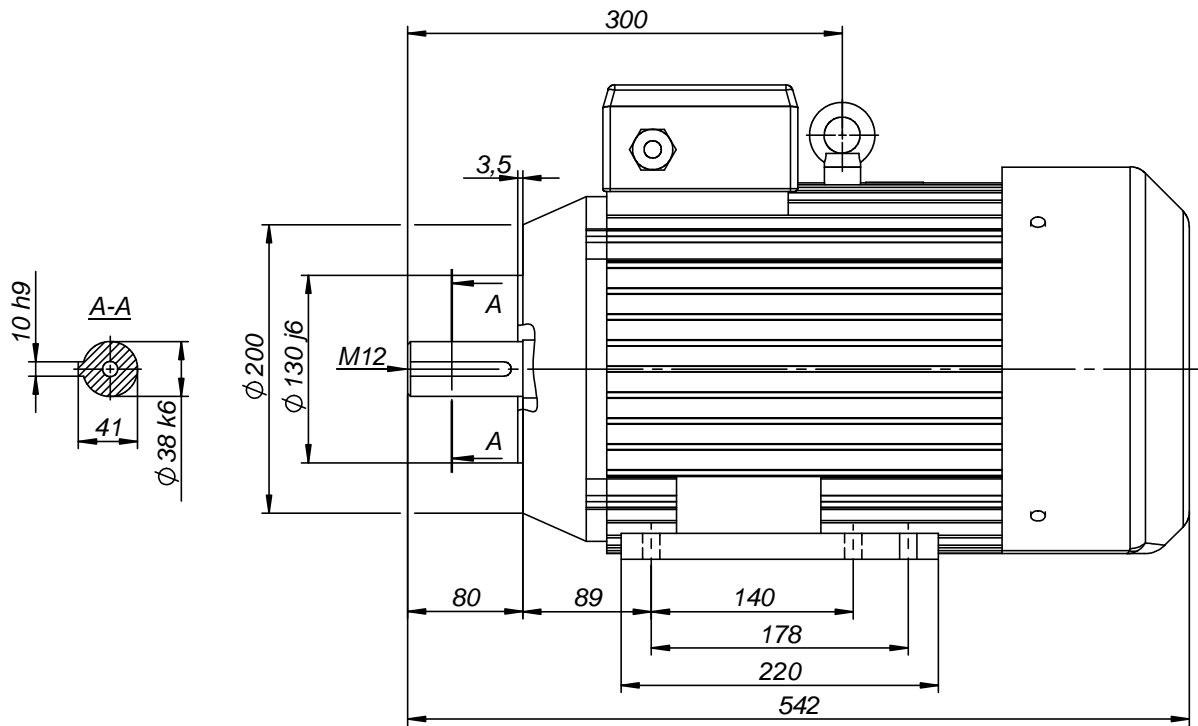
Drawing no.

S-1678-01-2015

Scale

1:5





CELMA
induktiva

Motor type

3SIEL 132M2;M2A;M4A;M4B-B34-C2

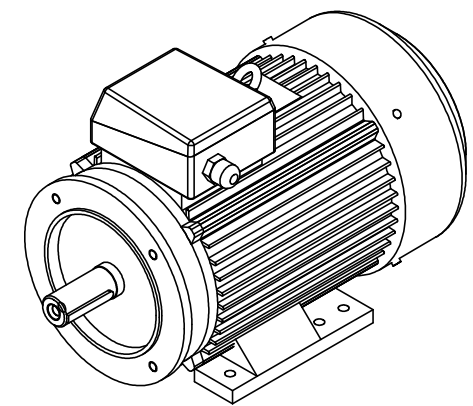
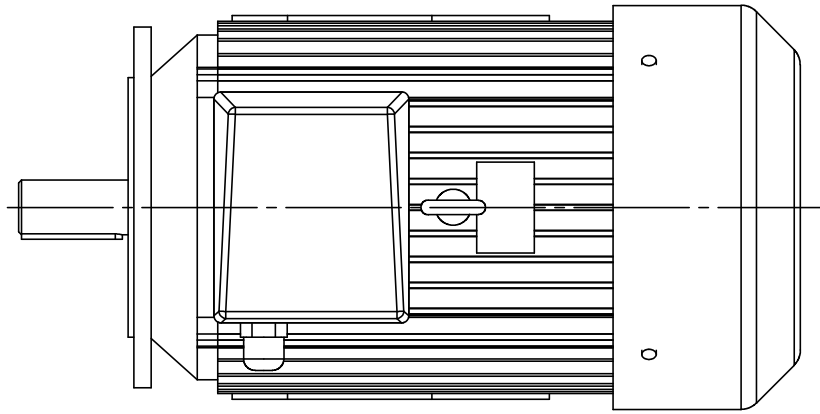
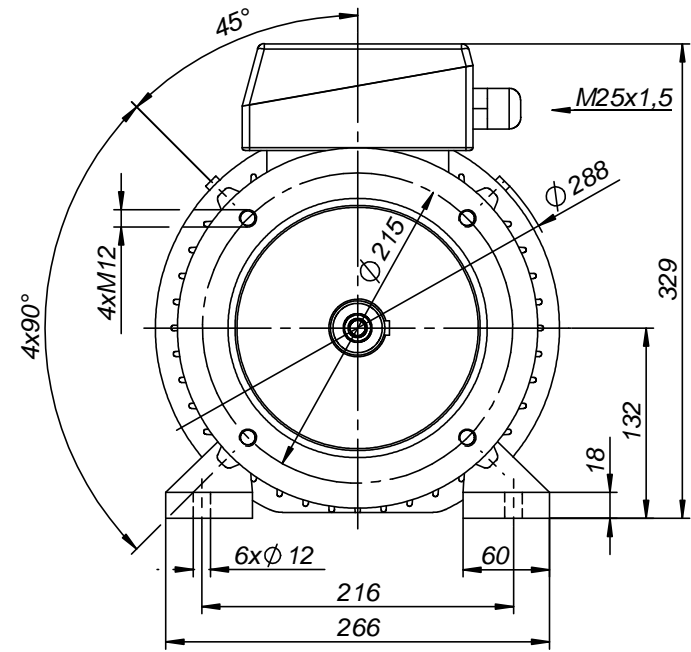
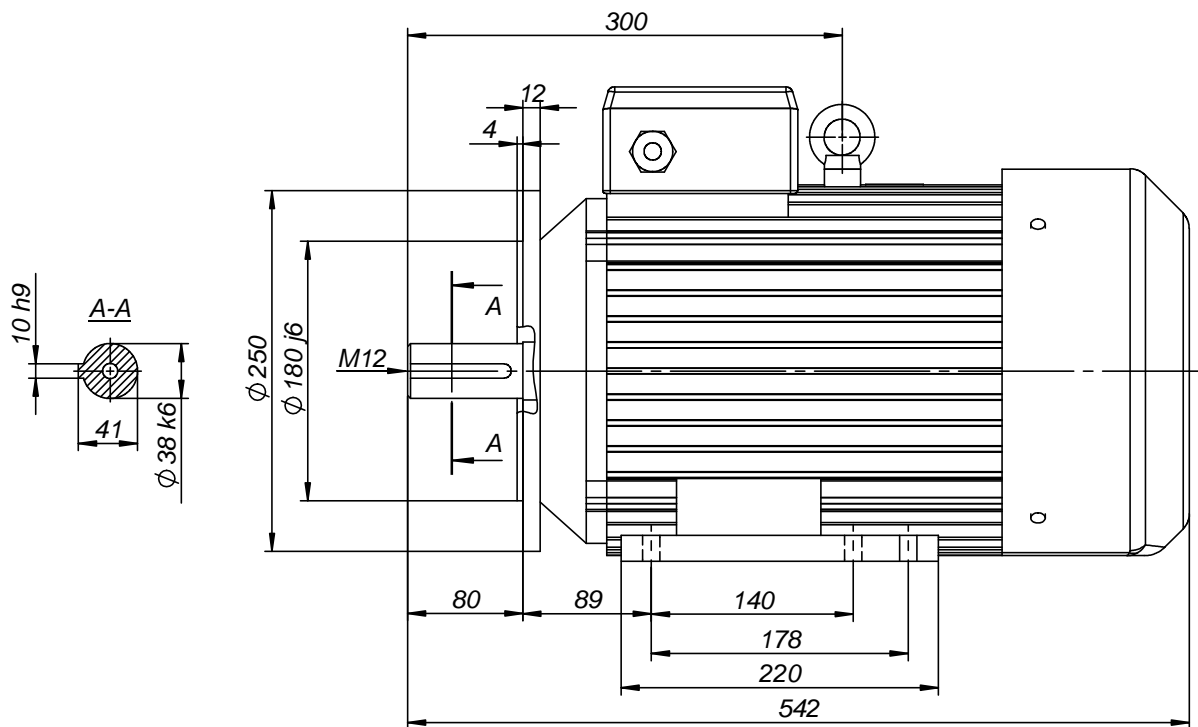
Drawing no.

S-1684-01-2015

Scale

1:5

Cantoni[®]
GROUP



Motor type

3SIEL 132M2;M2A;M4A;M4B-B34-C1

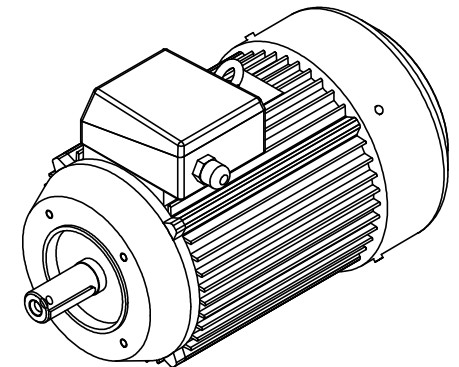
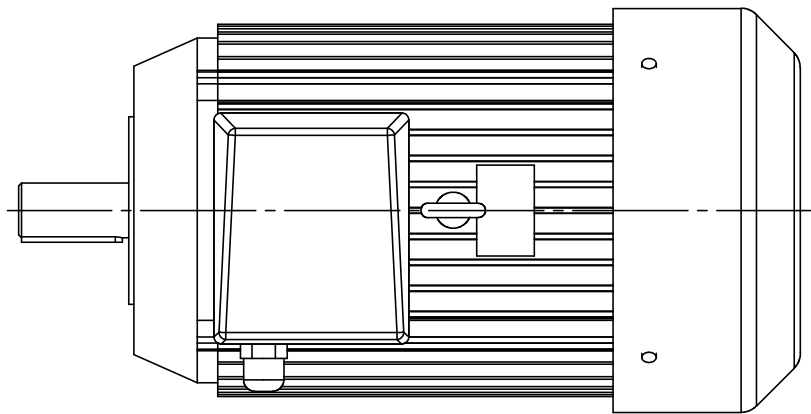
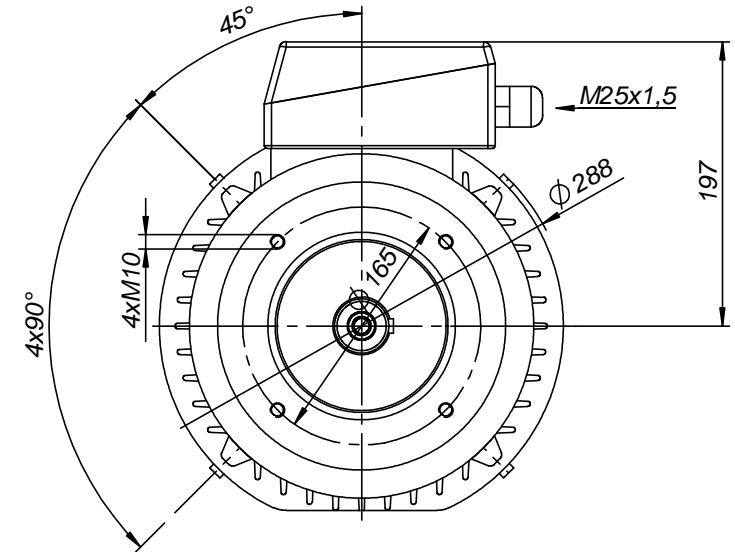
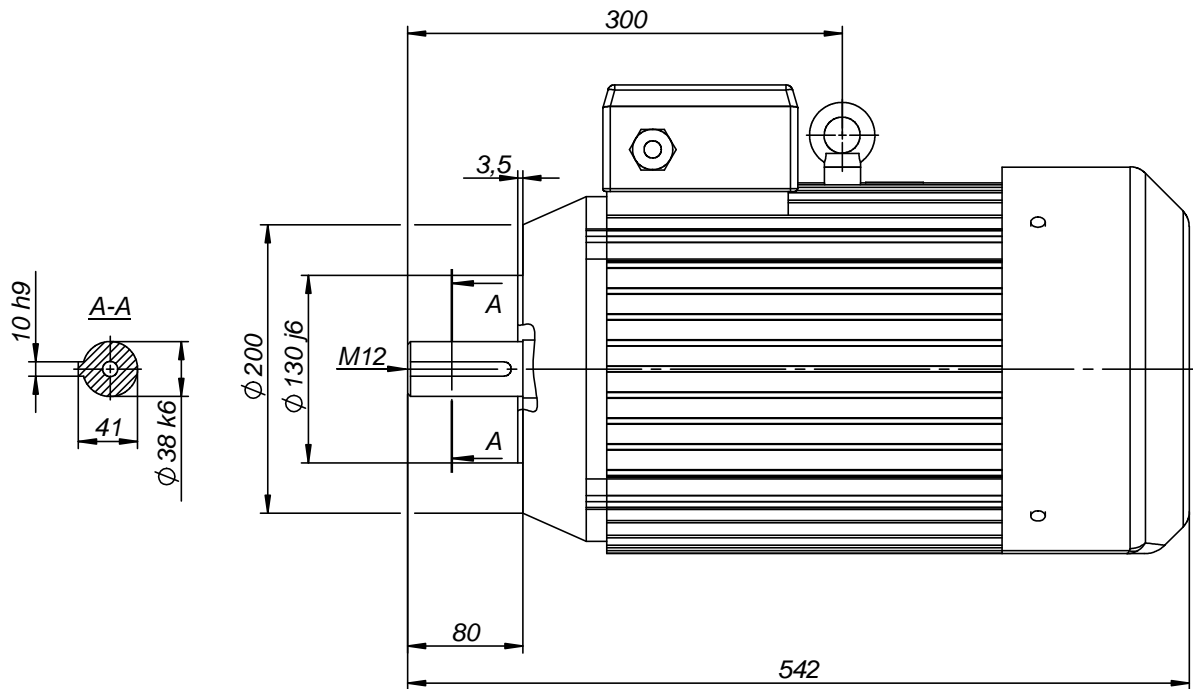


Drawing no.

S-1683-01-2015

Scale

1:5



CELMA
induktiva

Motor type

3SIEK132M2;M2A;M4A;M4B-B14-C2

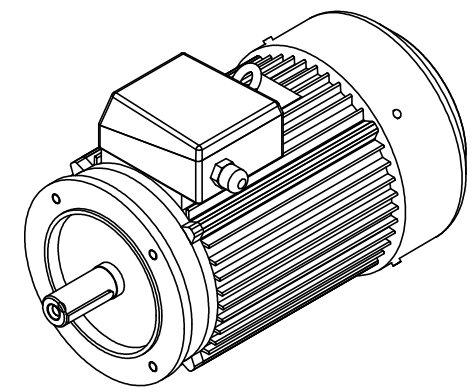
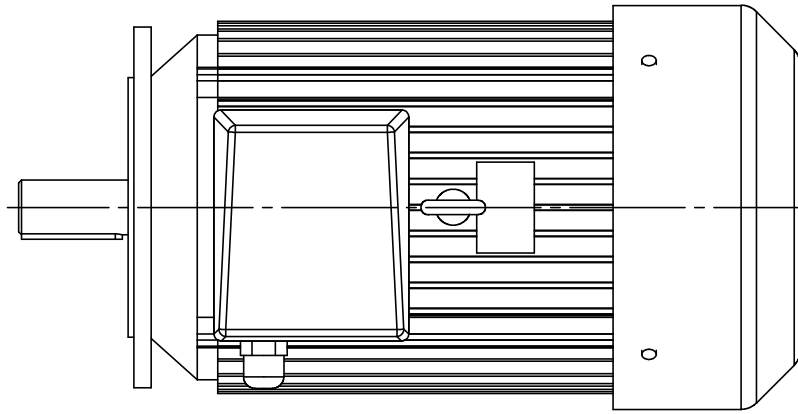
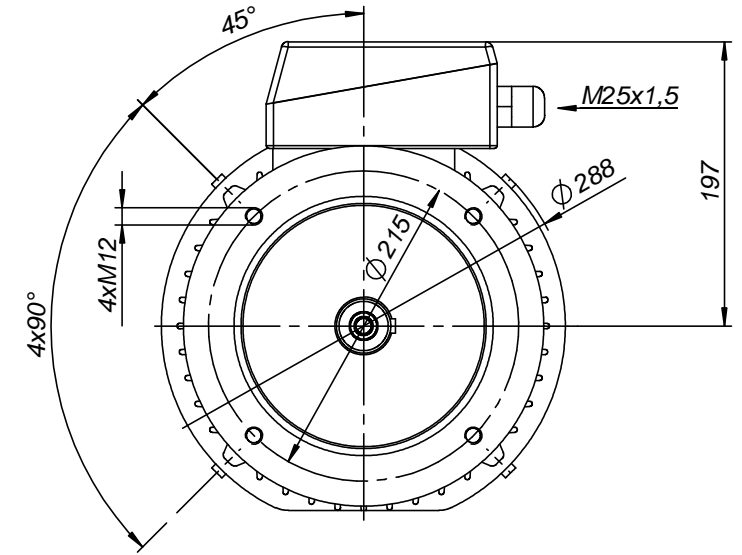
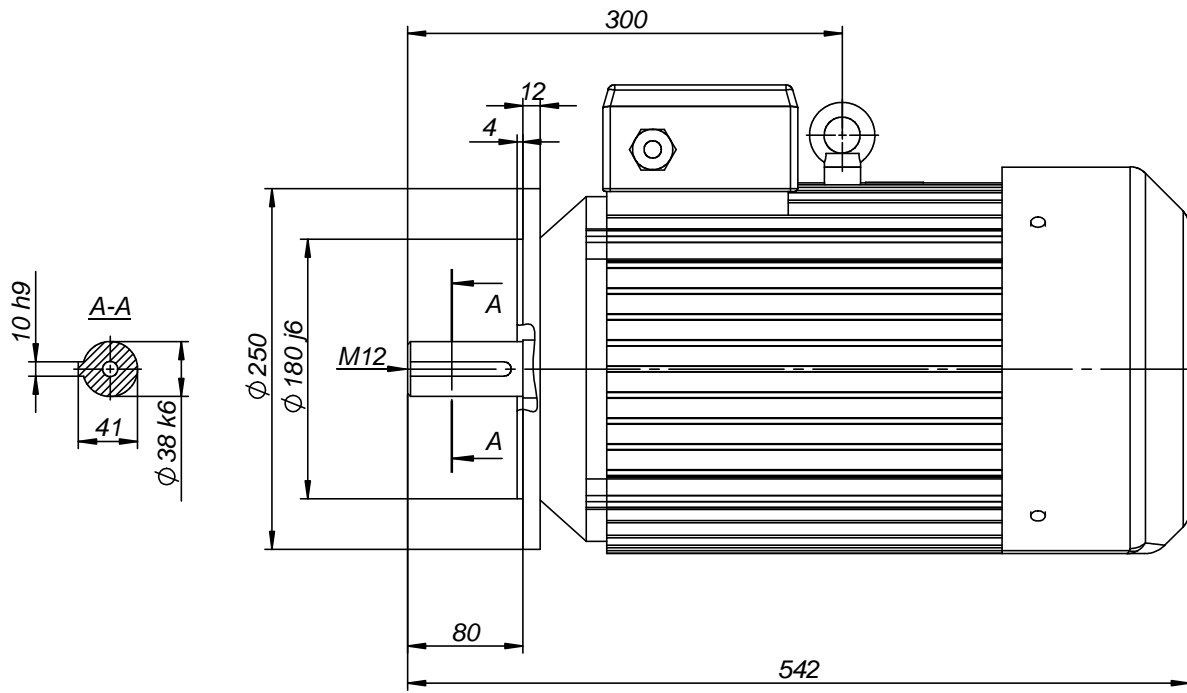
Drawing no.

S-1682-01-2015

Scale

1:5

Cantoni[®]
GROUP



Motor type

3SIEK132M2;M2A;M4A;M4B-B14-C1



Drawing no.

S-1681-01-2015

Scale

1:5

