

**CELMA**  
**indukta**

*Cantoni*  
GROUP

Motor type

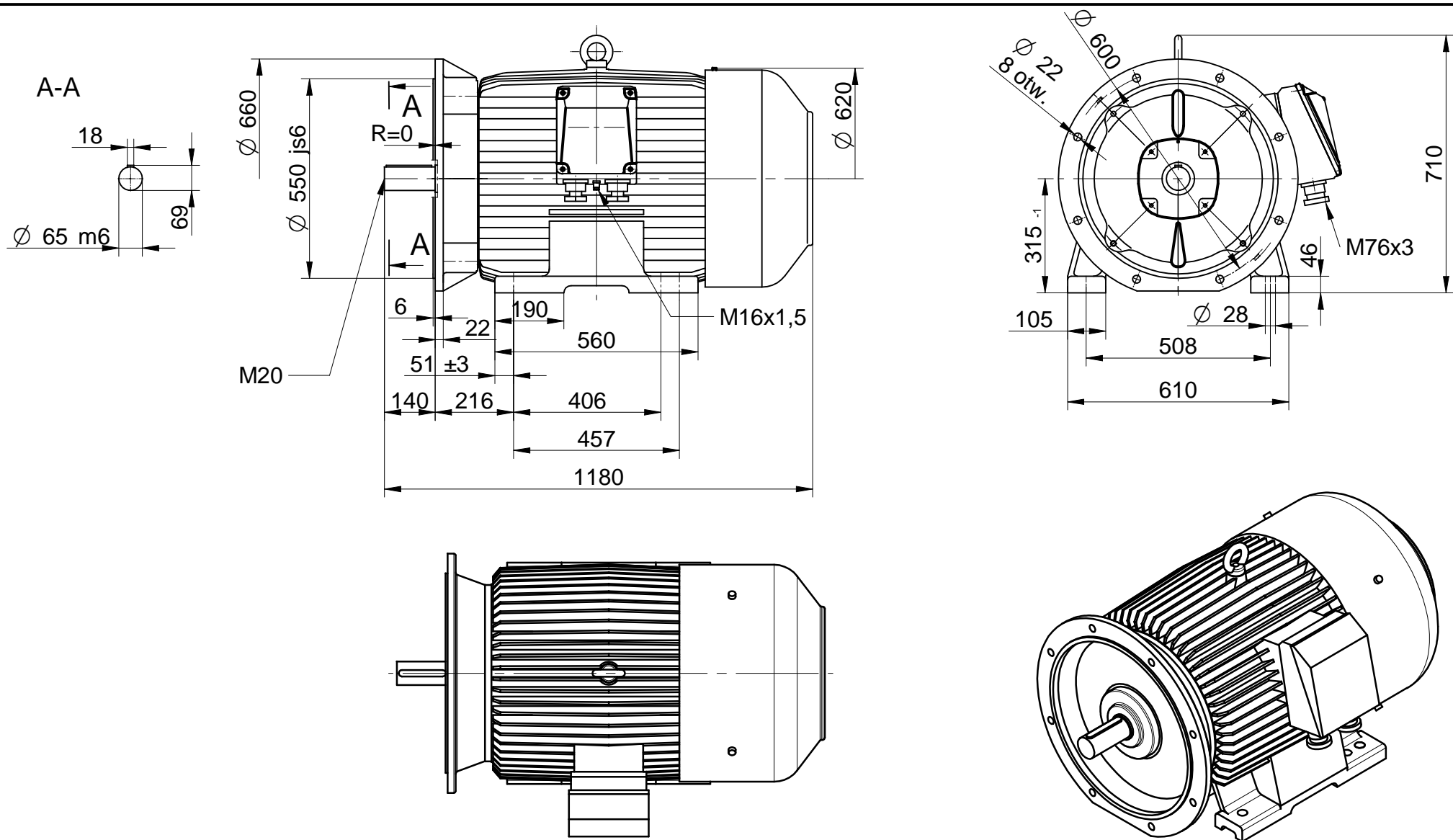
**2Sg 315 S,M2**

2014-11-03

Drawing no.

Scale

**1:15**



**CELMA**  
**indukta**

*Cantoni*  
GROUP

Motor type

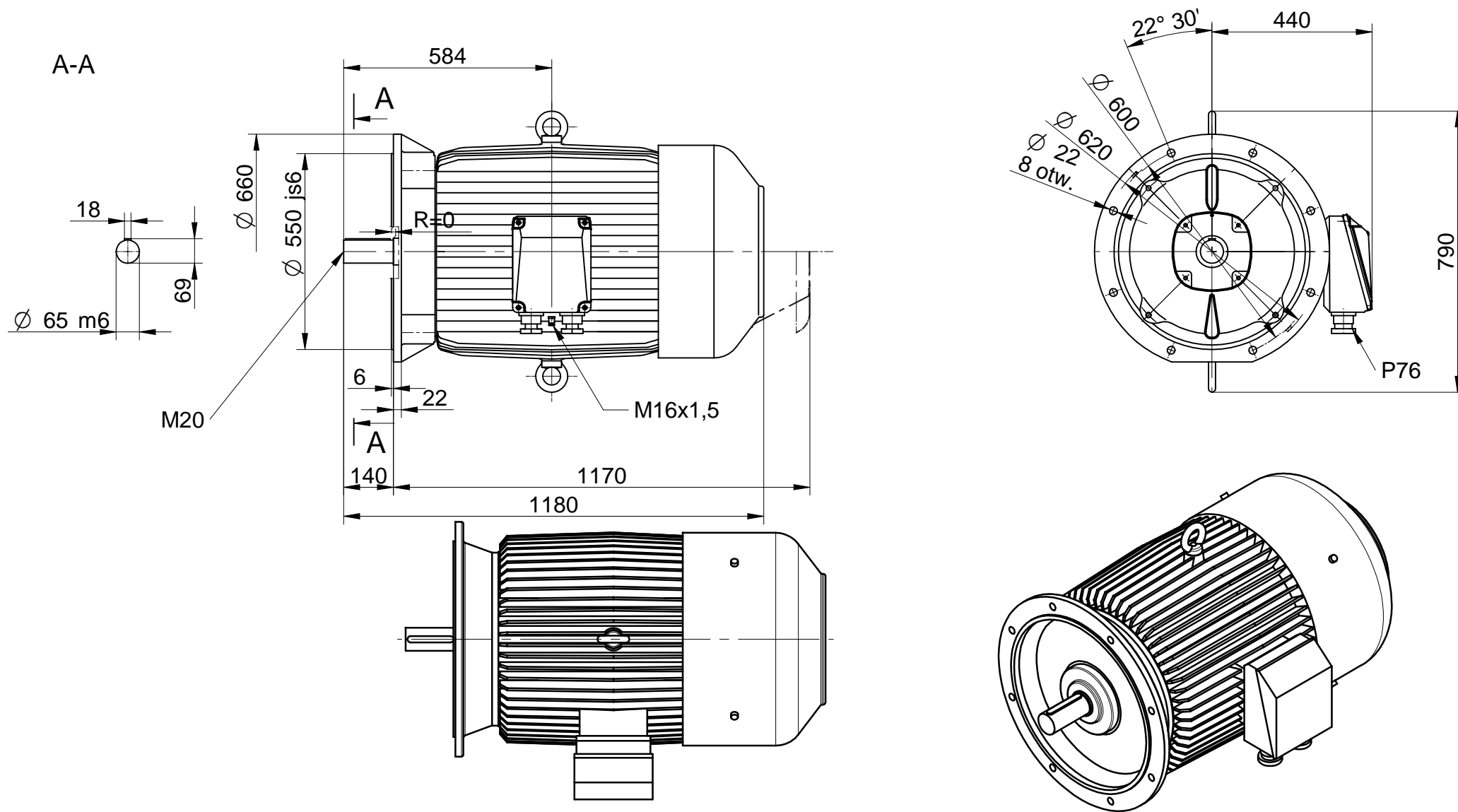
**2SLg 315 S,M2**

2014-11-03

Drawing no.

Scale

**1:15**



**CELMA**  
indukta

*Cantoni*  
GROUP

Motor type

**2SKg 315 S,M2**

2014-11-03

Drawing no.

Scale

**1:15**