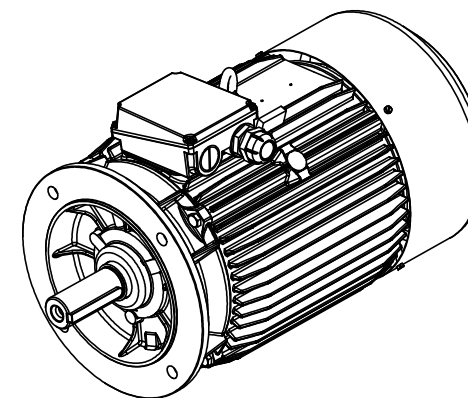
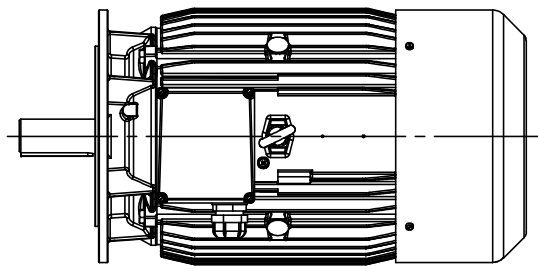
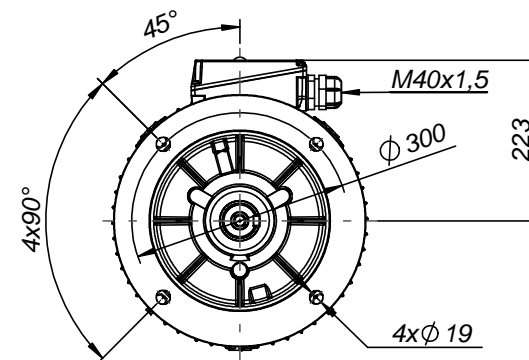
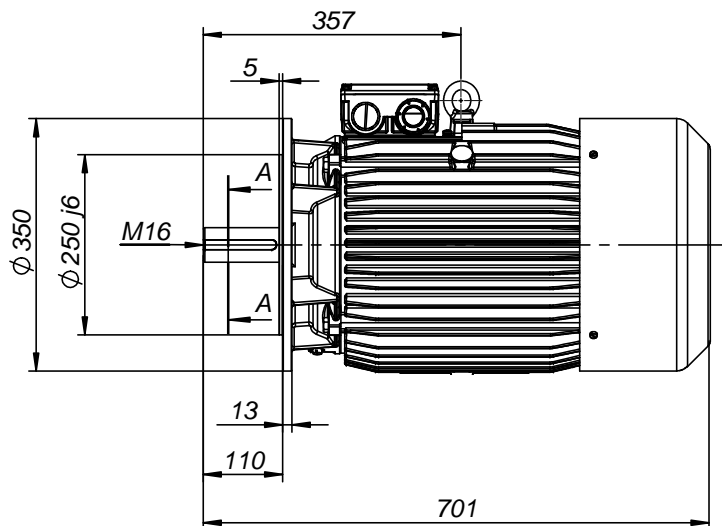
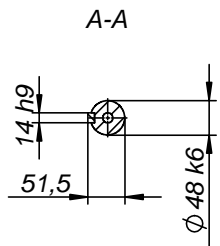


Motor type **Sg 180M-B3**

Drawing no. **S-012-01-2008**

Scale **1:10**



Motor type

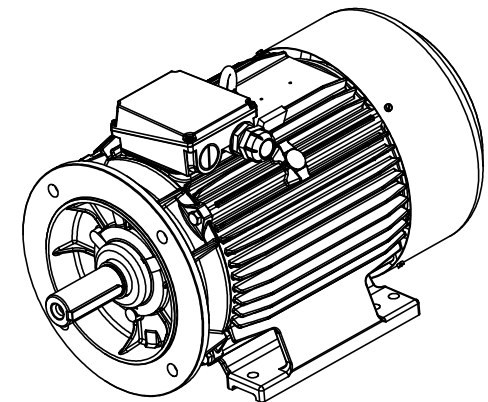
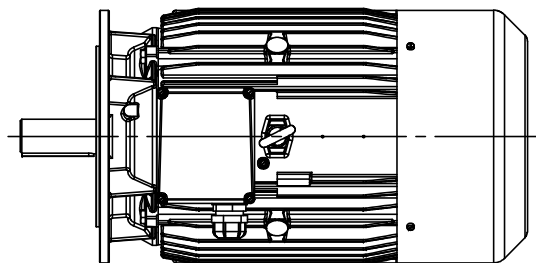
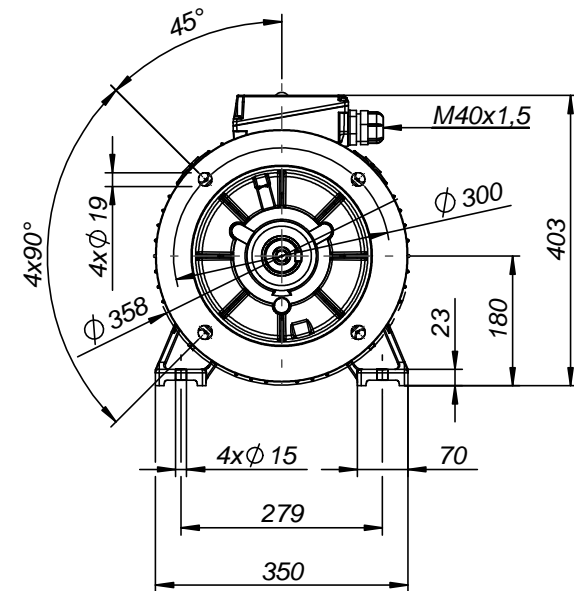
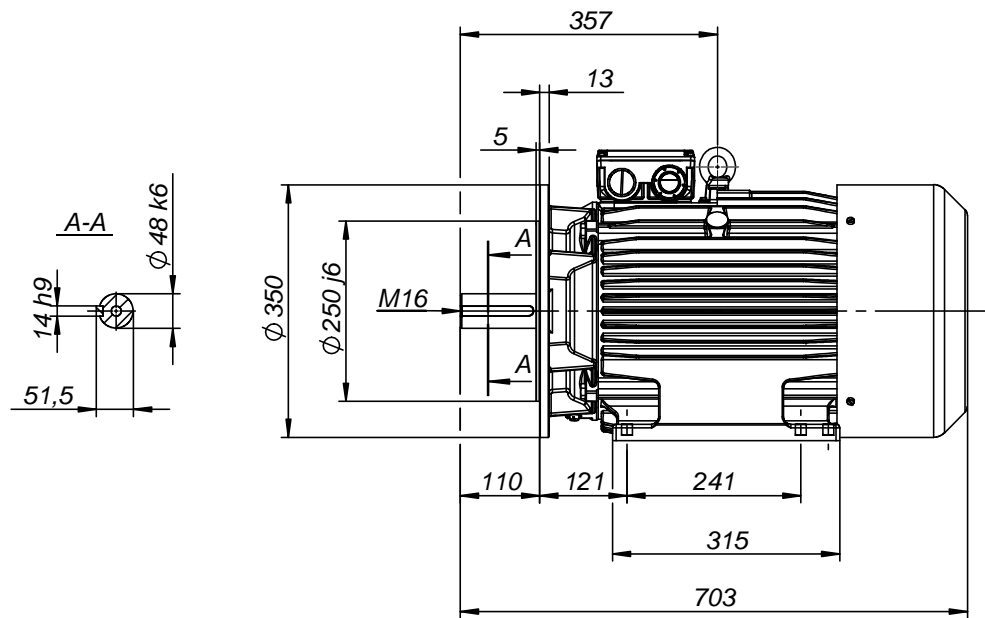
SKg 180M-B5

Drawing no.

S-026-01-2008

Scale

1:10



Motor type

SLg 180M-B35

Drawing no.

S-040-01-2008

Scale

1:10