

Motor type

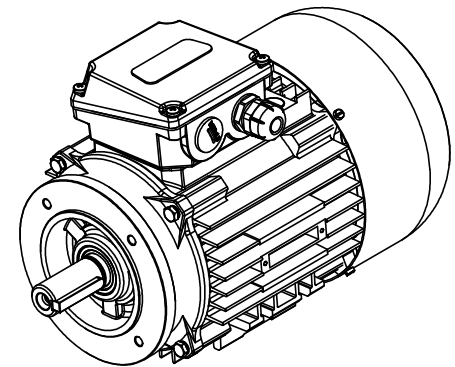
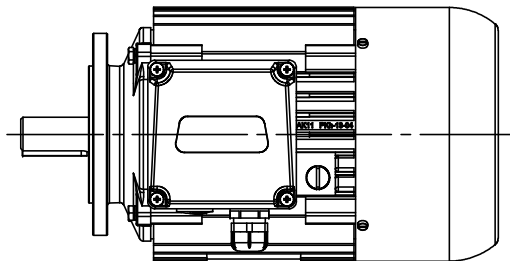
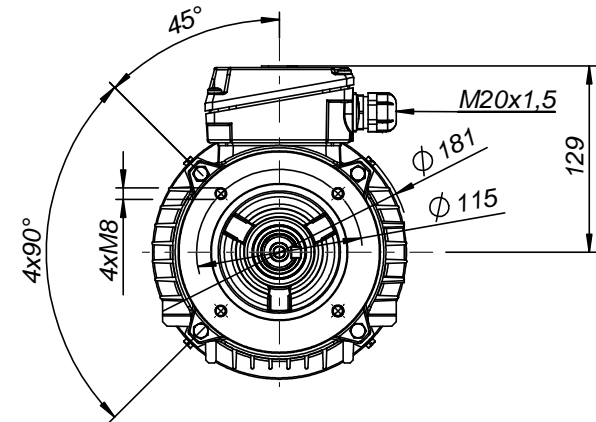
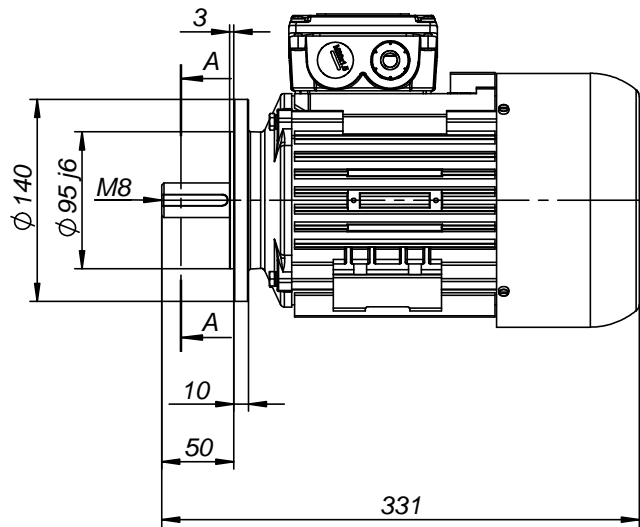
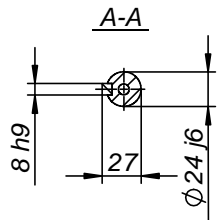
Sh 90L-B3

Drawing no.

S-004-01-2008

Scale

1:5



Motor type

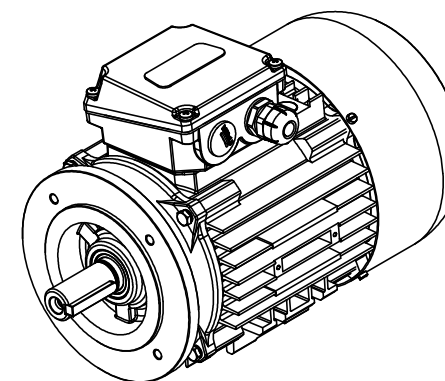
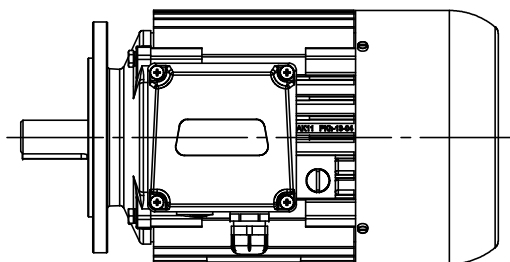
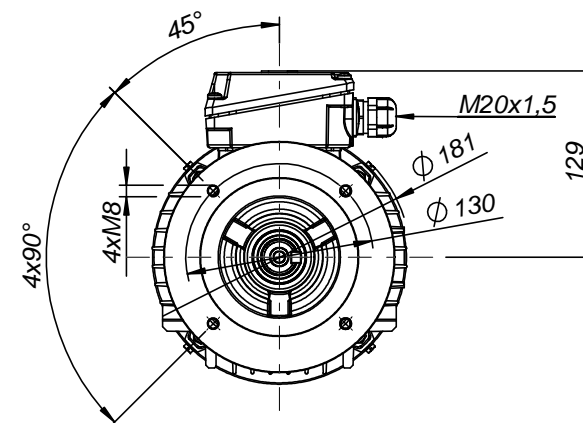
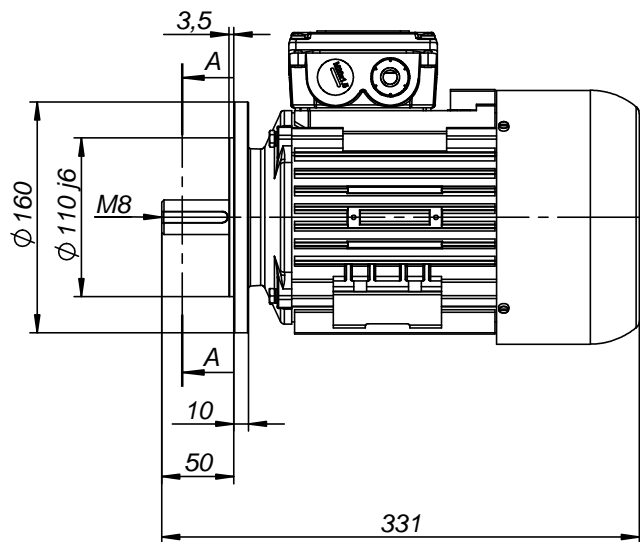
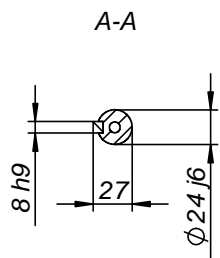
SKh 90L-B14-C2

Drawing no.

S-053-01-2008

Scale

1:5



Motor type

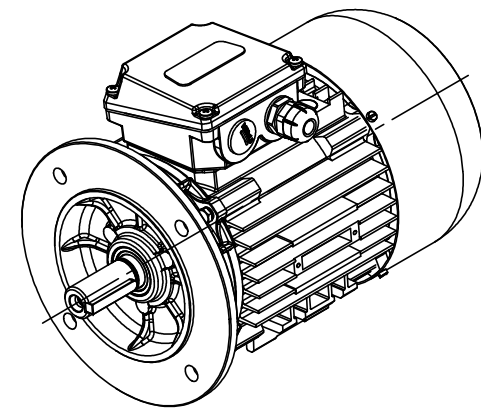
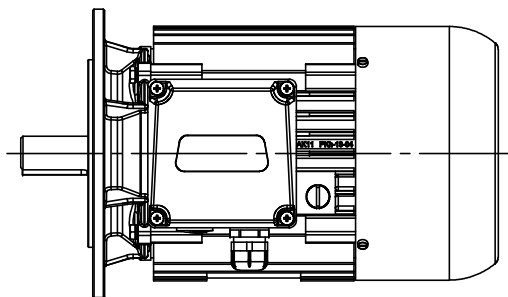
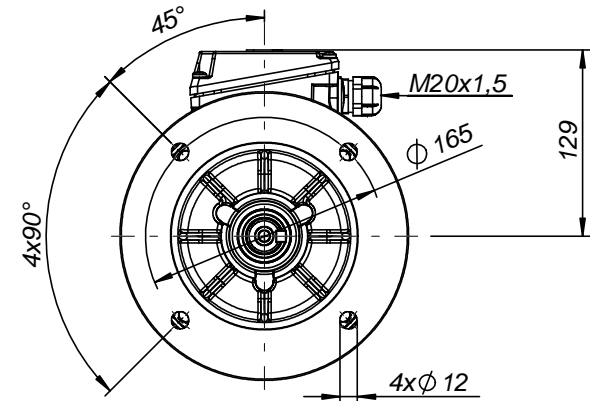
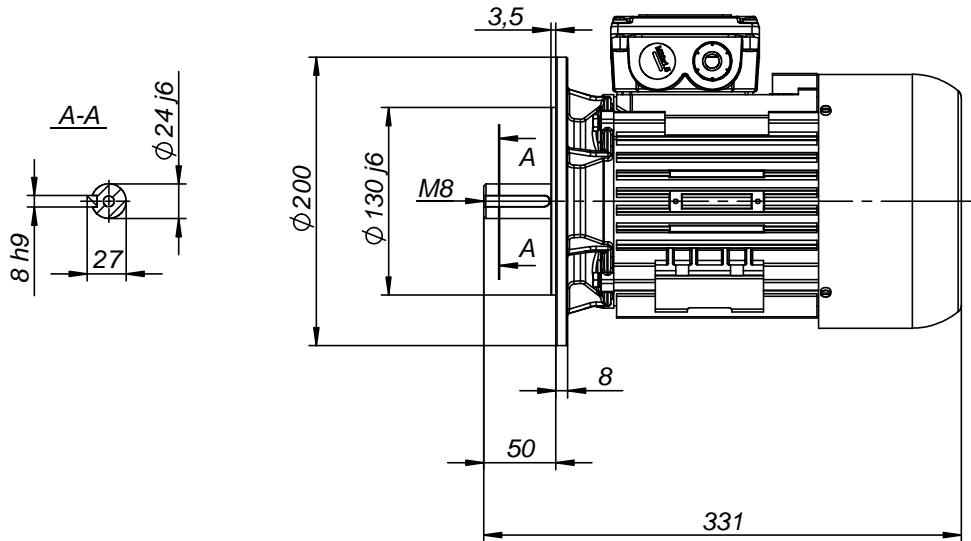
SKh 90L-B14-C1

Drawing no.

S-044-01-2008

Scale

1:5



Motor type

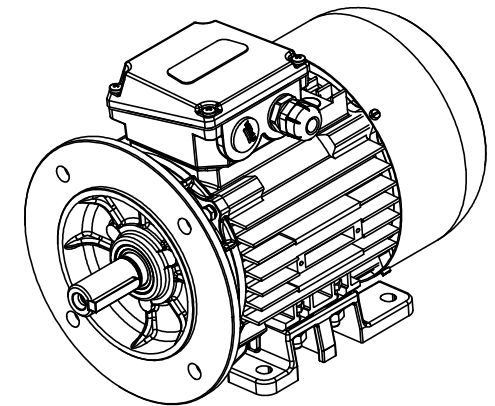
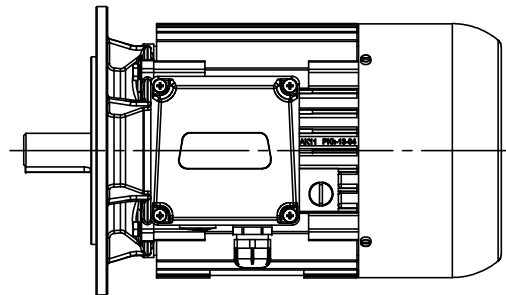
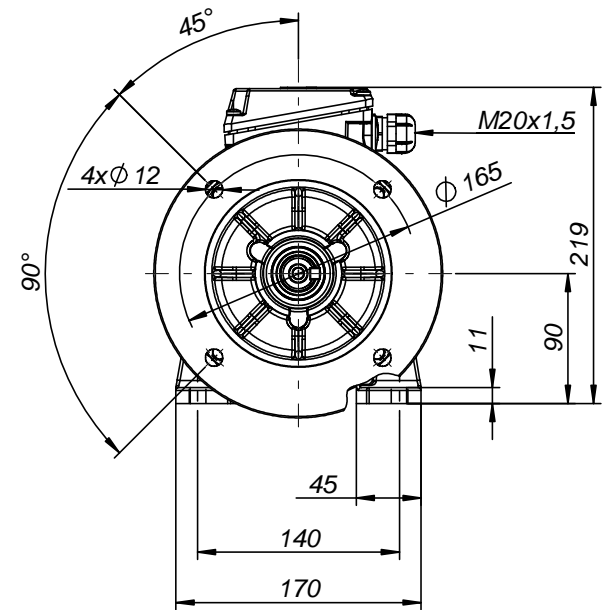
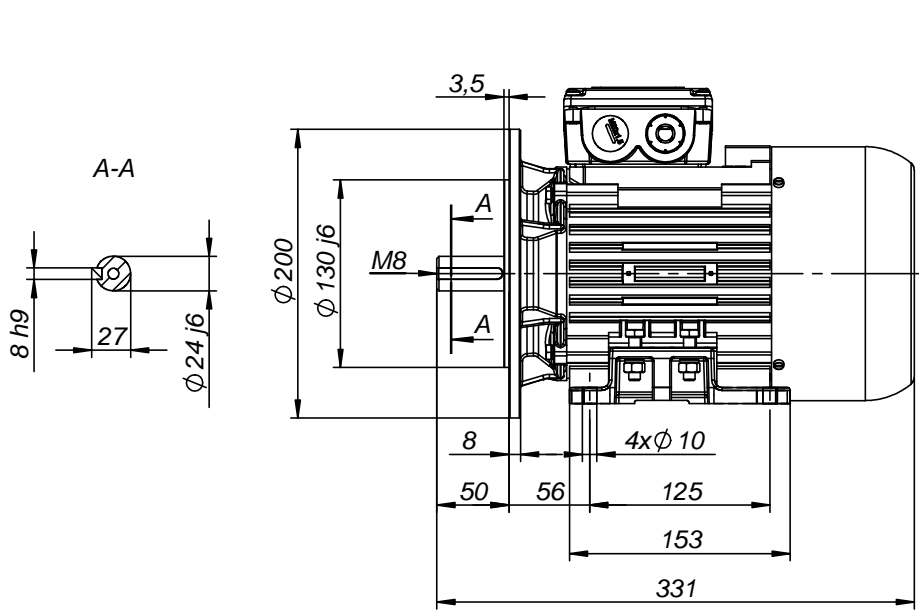
SKh 90L-B5

Drawing no.

S-018-01-2008

Scale

1:5



Motor type **SLh 90L-B35**

Drawing no. **S-032-01-2008**

Scale **1:5**