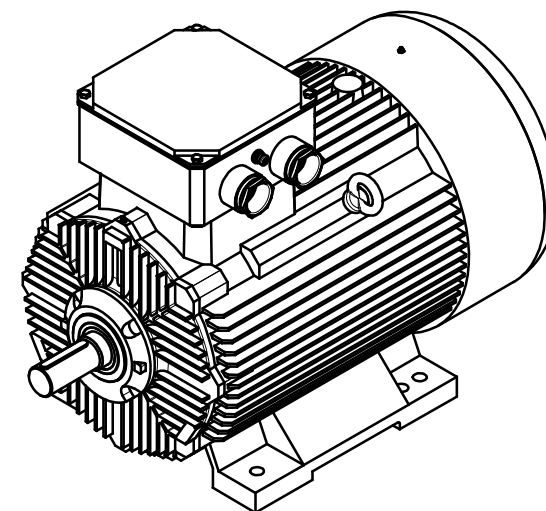
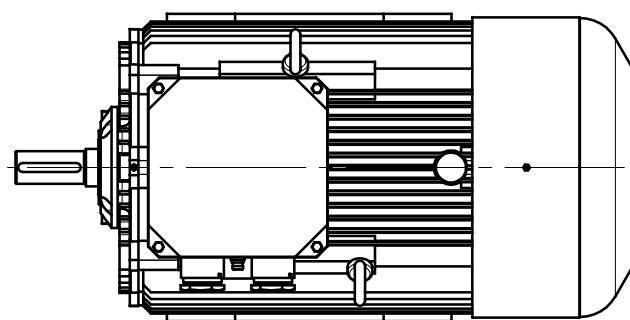
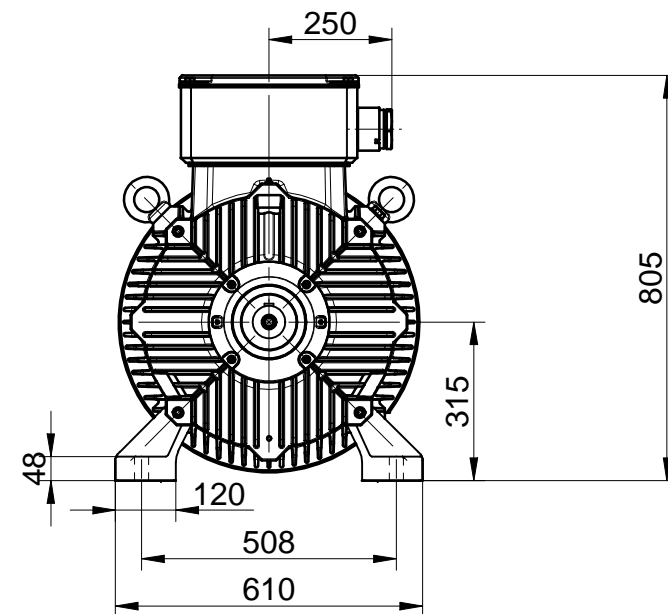
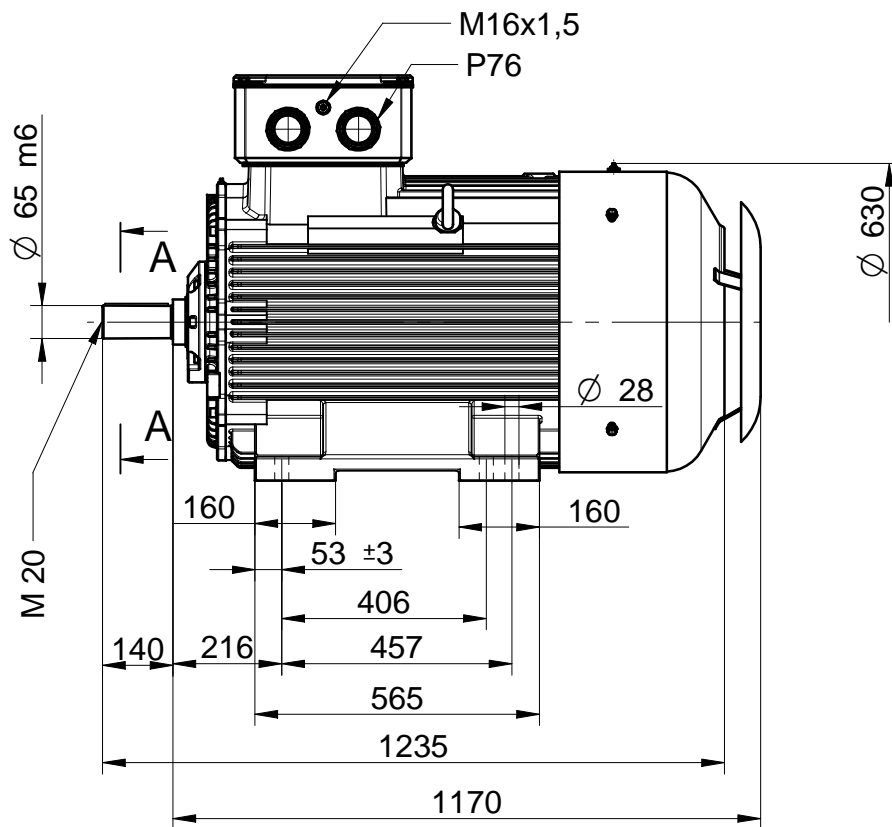
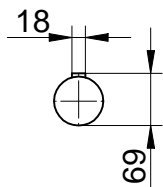


A-A



CELMA
indukta

Cantoni
GROUP

Motor type

(2,3)SIE315S2,M2A,B

2014-07-14

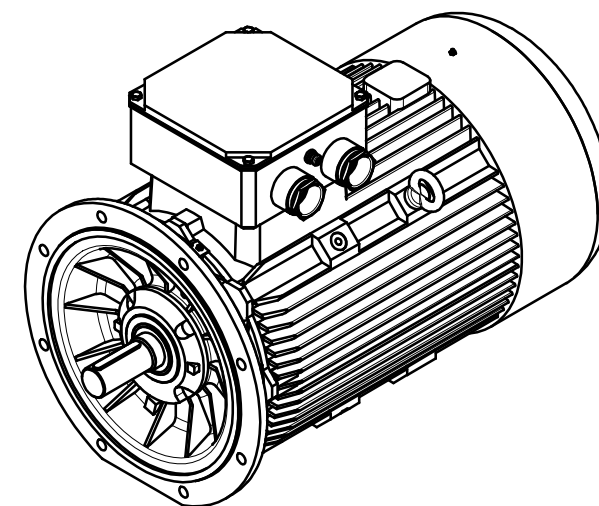
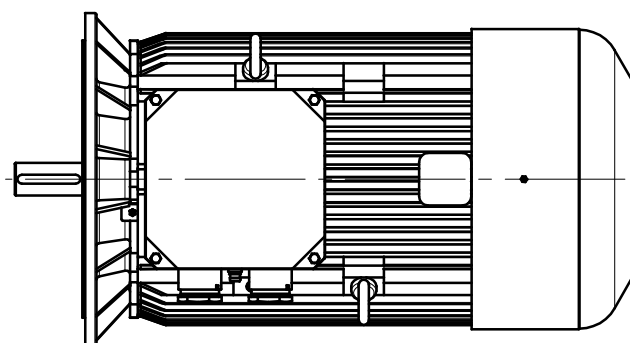
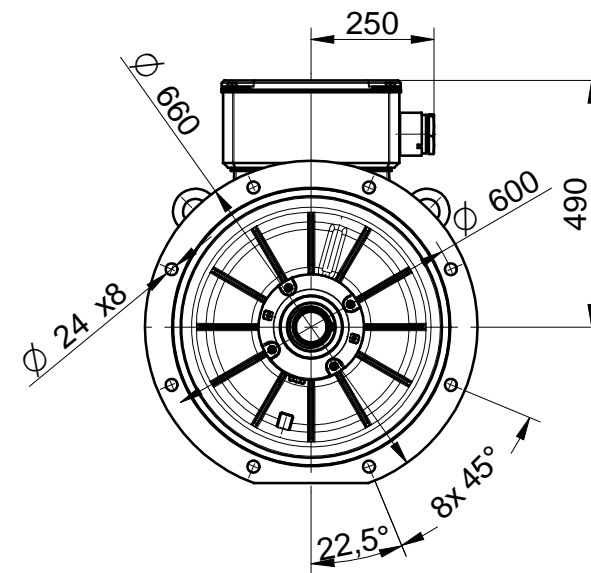
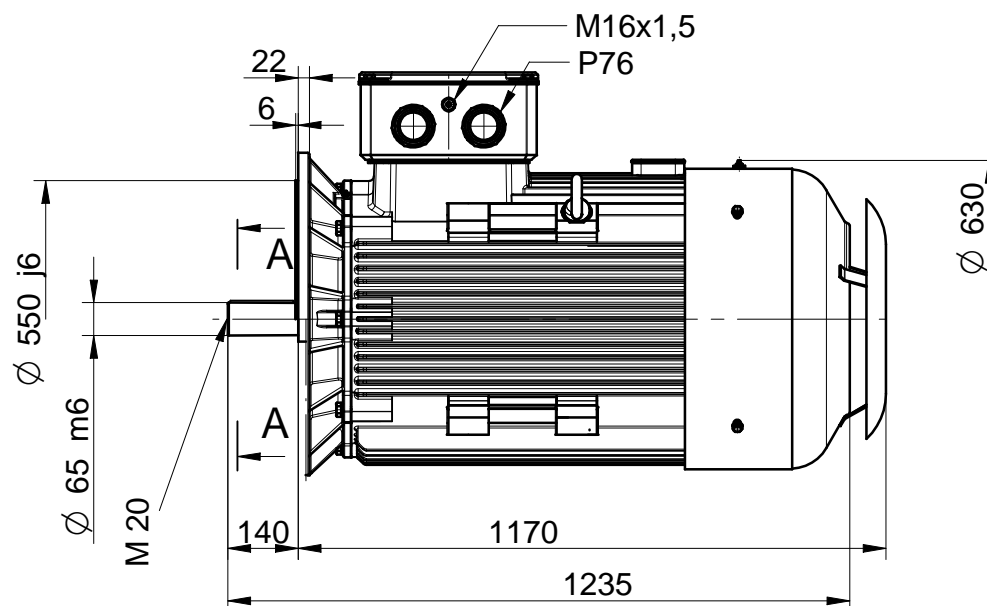
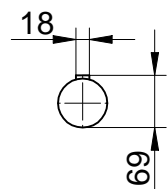
Drawing no.

S05,09-554..556-000

Scale

1:15

A-A



CELMA
indukta

Cantoni
GROUP

Motor type

(2,3)SIEK315S2,M2A,B

2014-10-27

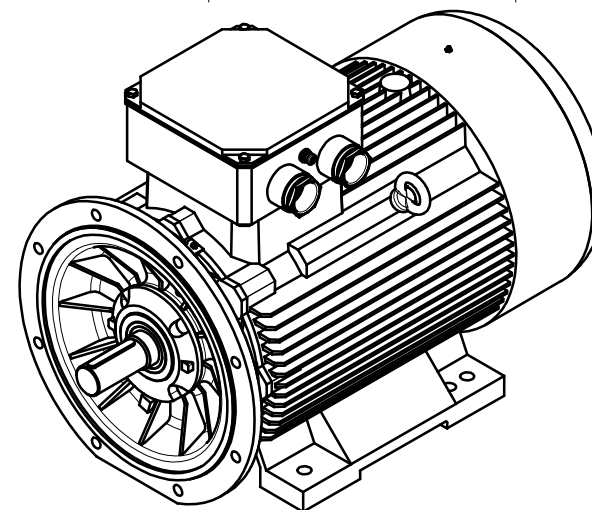
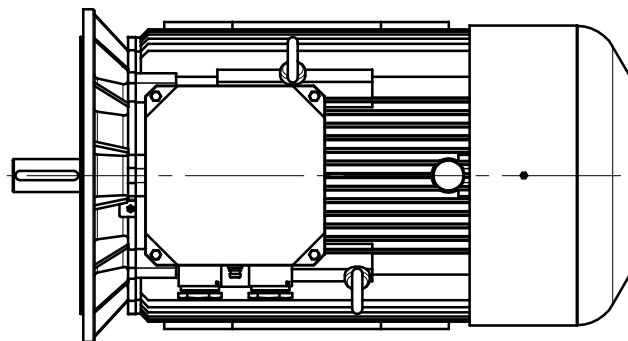
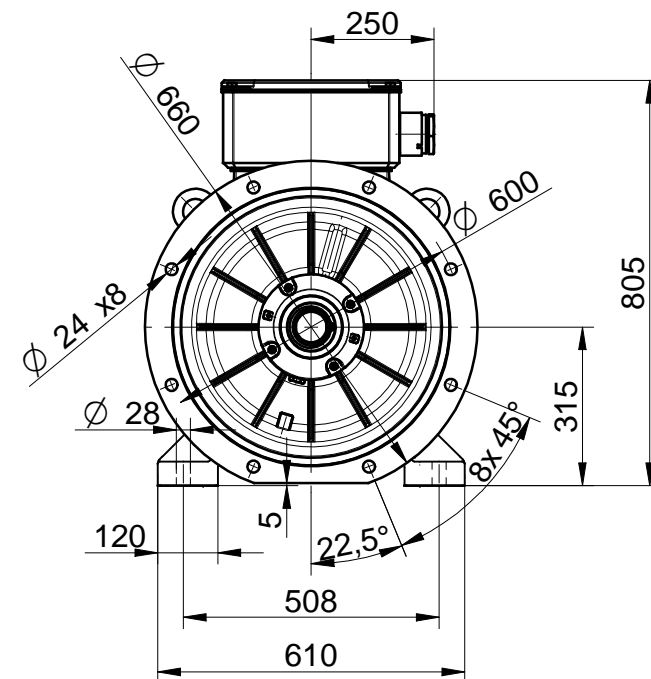
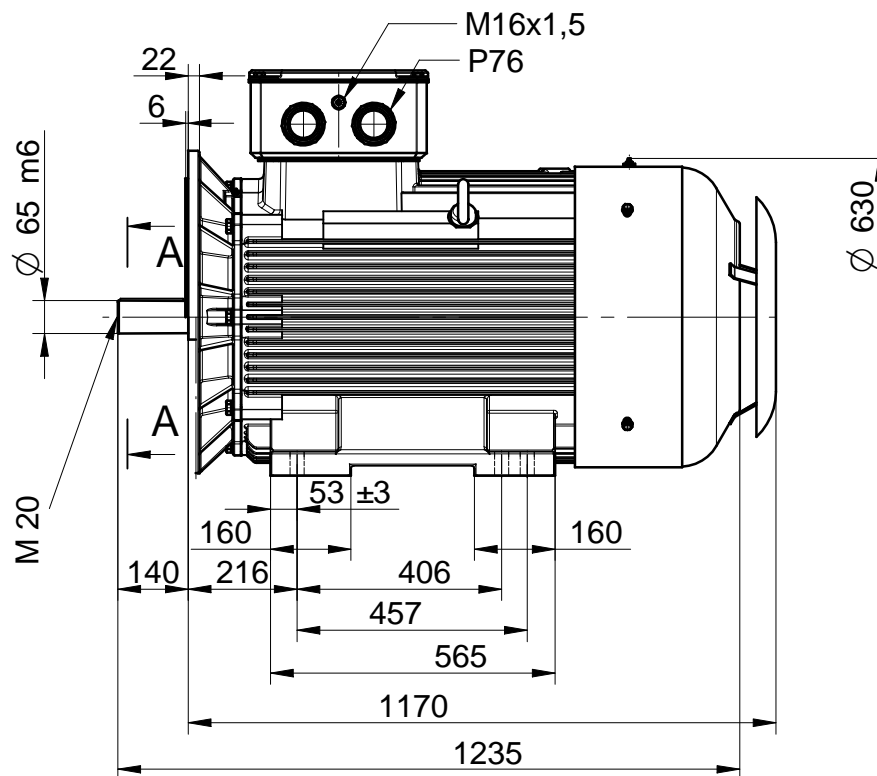
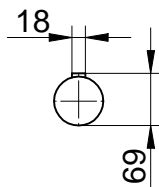
Drawing no.

S05,09-572..574-000

Scale

1:15

A-A



CELMA
indukta

Cantoni
GROUP

Motor type

(2,3)SIEL315S2,M2A,B

2014-07-14

Drawing no.

S05,09-563..565-000

Scale

1:15