

FABRYKA MASZYN ELEKTRYCZNYCH S.A.
indukta 

Cantoni®
 GROUP

Motor type

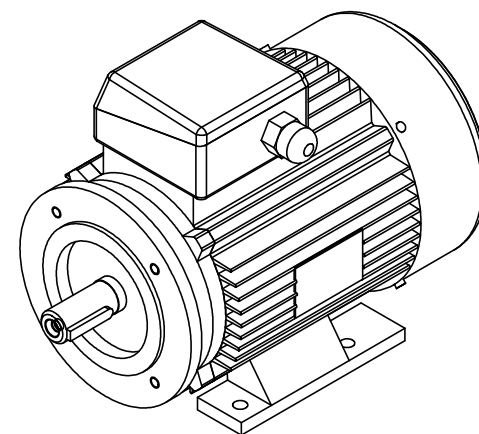
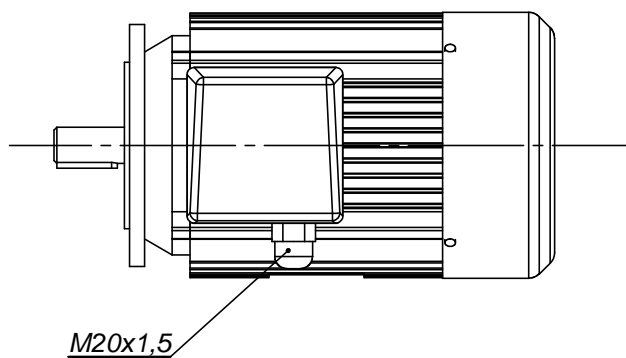
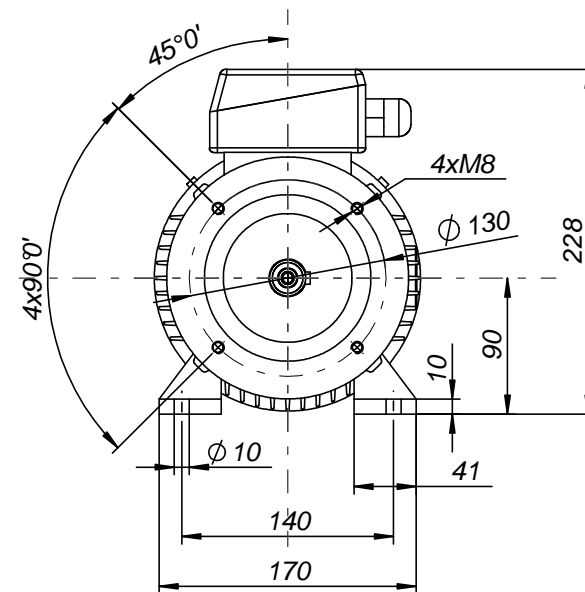
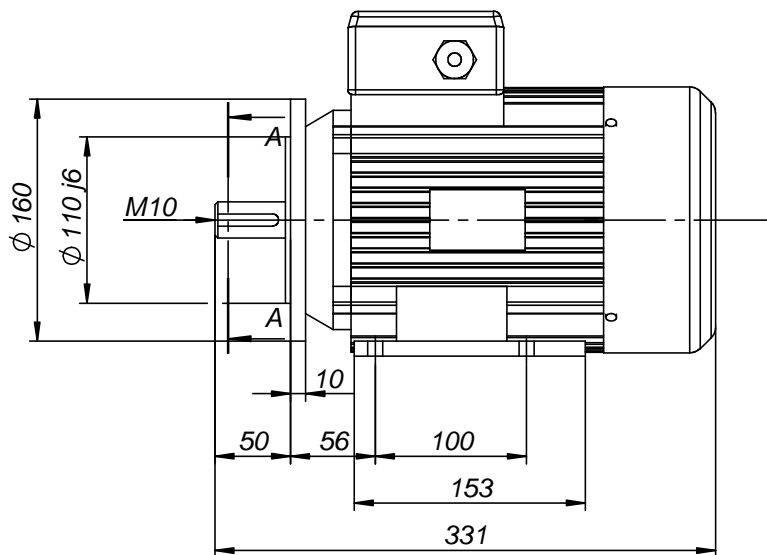
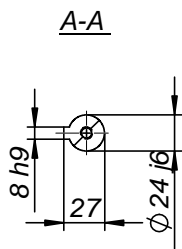
2SIE90S2,4,6

Drawing no.

S-758-01-2011

Scale

1:5



CELMA
indukta

Motor type

2SIEL90S,2,4,6-B14C1

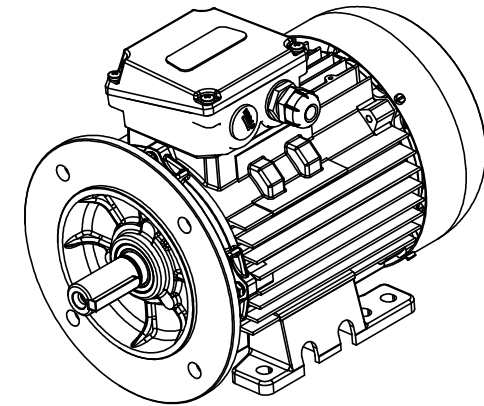
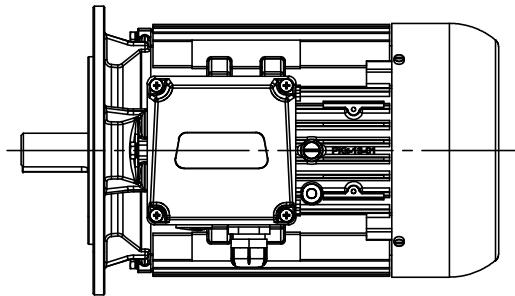
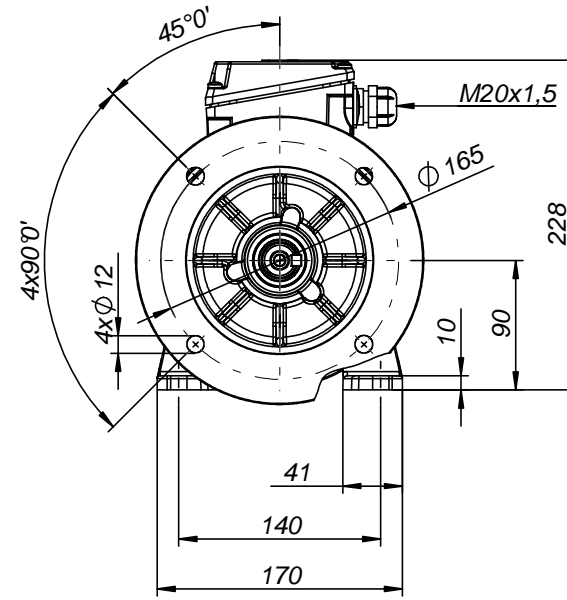
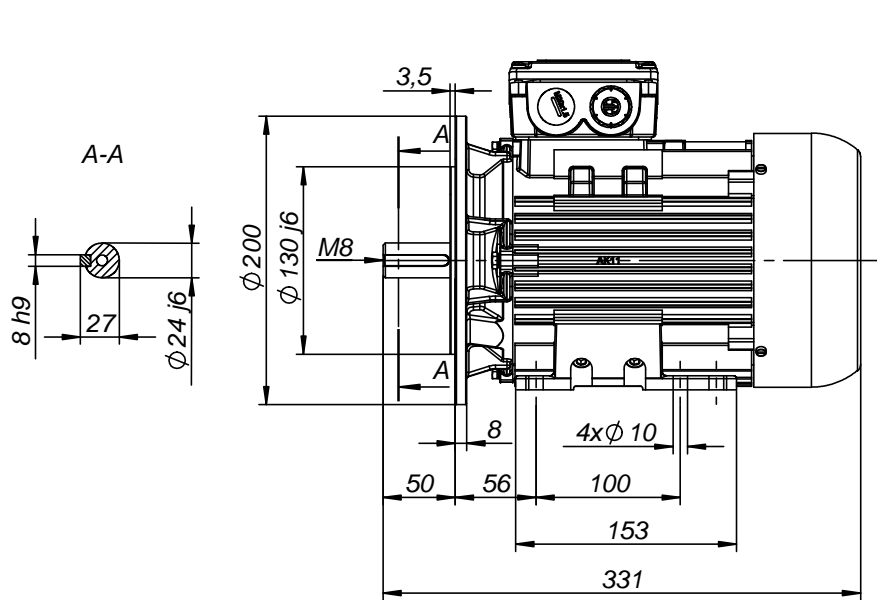
Drawing no.

S-1043-01-2012

Scale

1:5

Cantoni[®]
GROUP



FABRYKA MASZYN ELEKTRYCZNYCH S.A.
indukta 

Cantoni®
 GROUP

Motor type

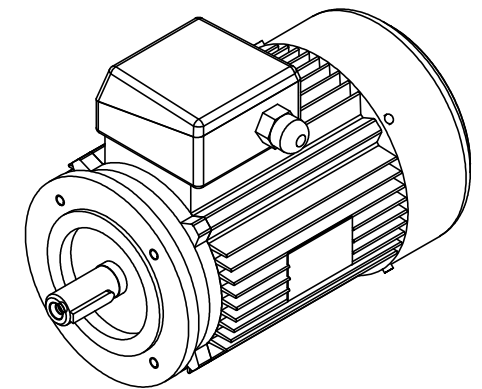
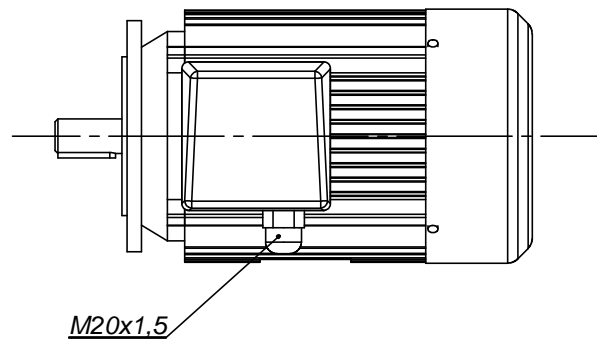
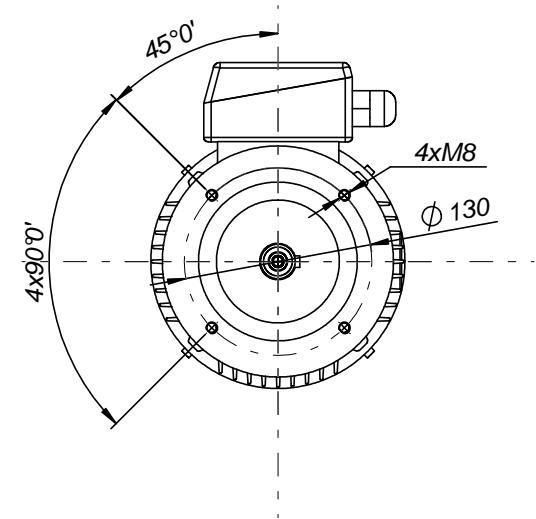
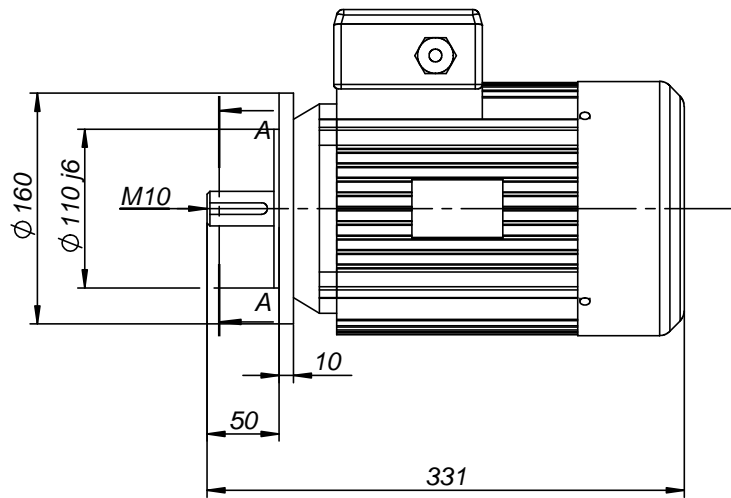
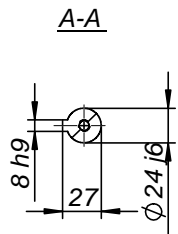
2SIEL90S2,4,6

Drawing no.

S-786-01-2011

Scale

1:5



Motor type

2SIEK90S,2,4,6-B14C1

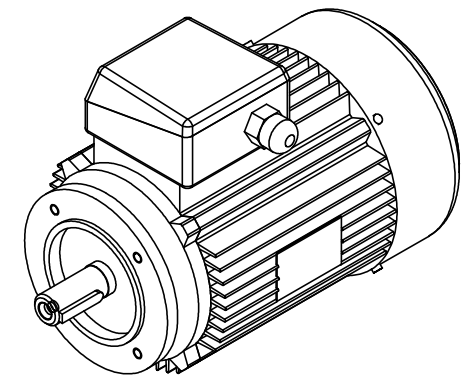
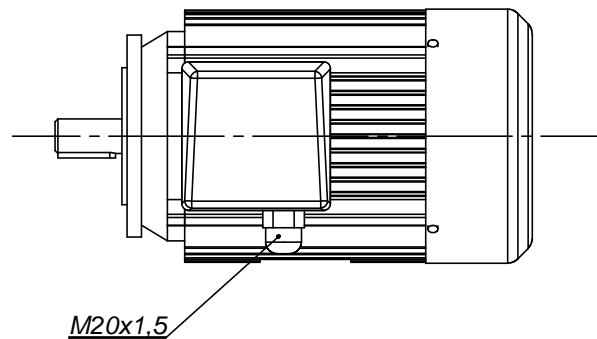
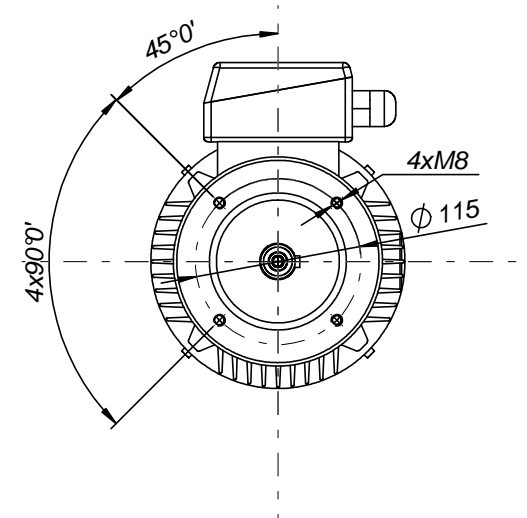
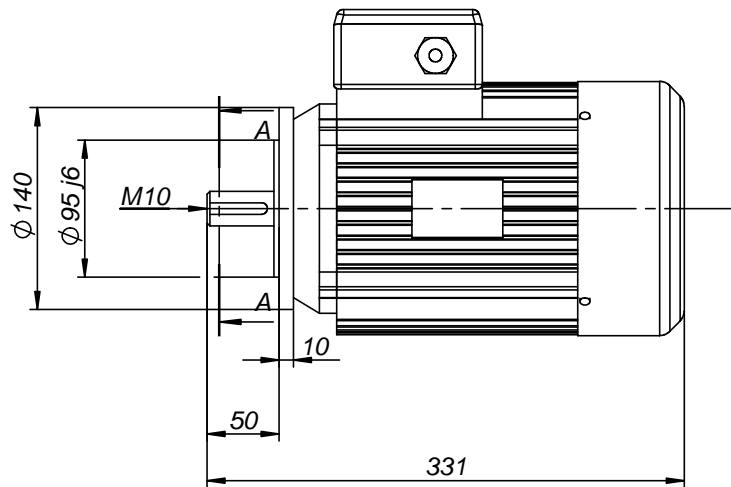
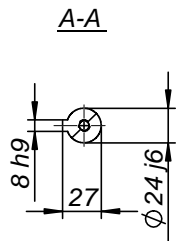
Drawing no.

S-1040-01-2012

Scale

1:5





Motor type

2SIEK90S,2,4,6-B14C2

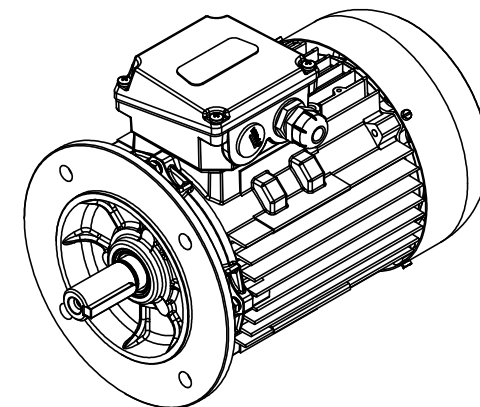
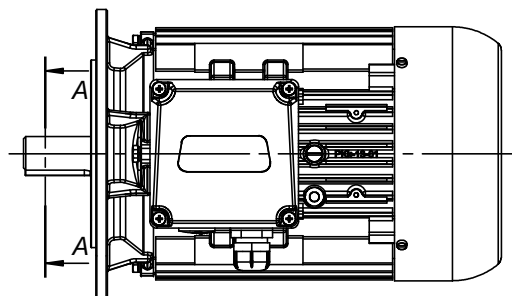
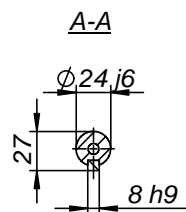
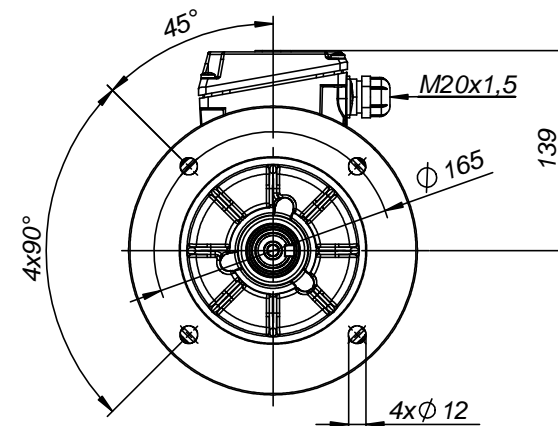
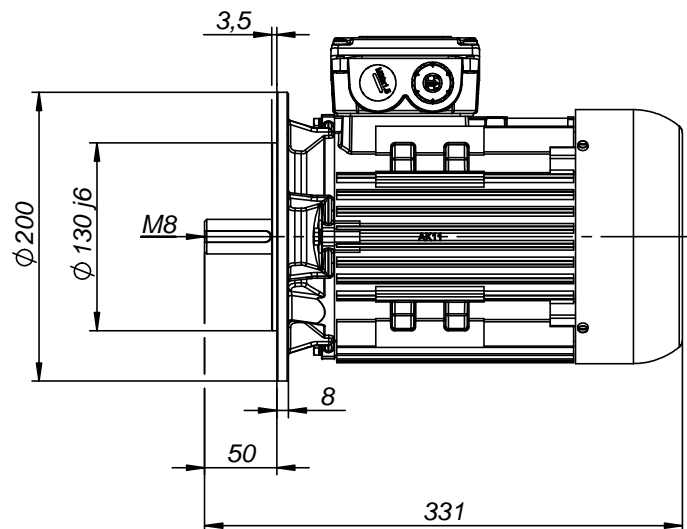


Drawing no.

S-1046-01-2012

Scale

1:5



FABRYKA MASZYN ELEKTRYCZNYCH S.A.
indukta 

Cantoni®
 GROUP

Motor type

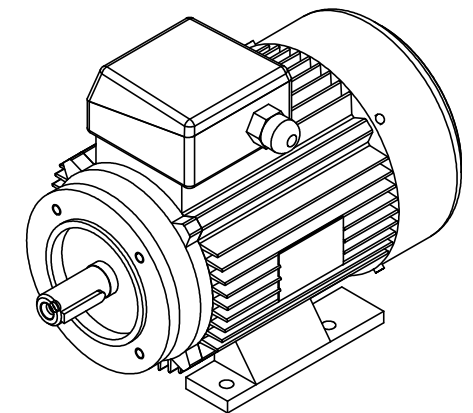
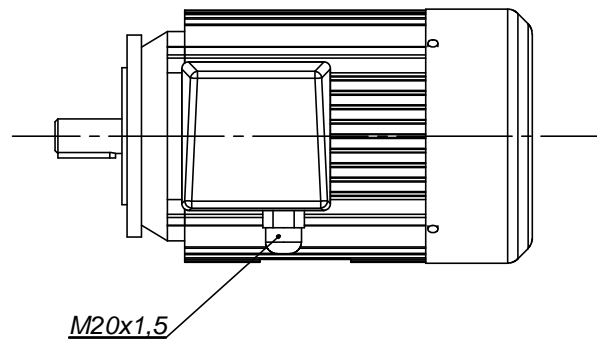
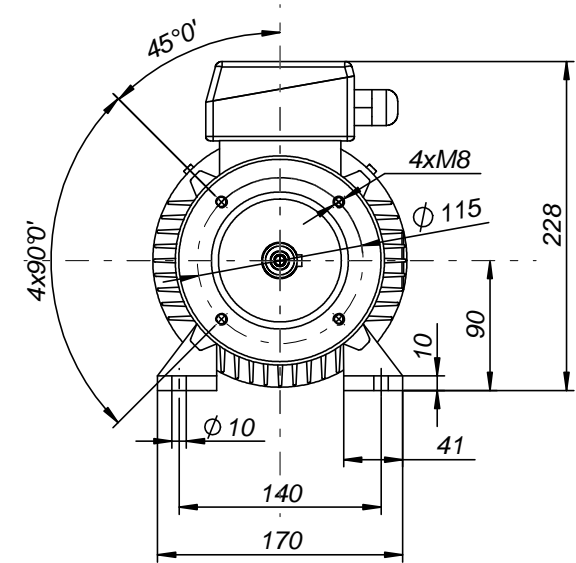
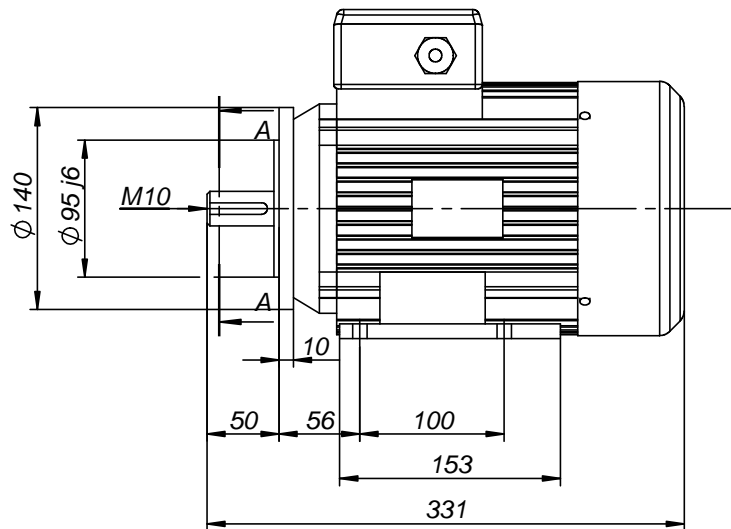
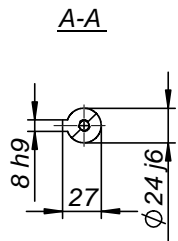
2SIEK90S2,4,6

Drawing no.

S-772-01-2011

Scale

1:5



Motor type

2SIEL90S,2,4,6-B14C2

Drawing no.

S-1049-01-2012

Scale

1:5

