

FABRYKA MASZYN ELEKTRYCZNYCH S.A.  
**indukta** 

**Cantoni**®  
 GROUP

Motor type

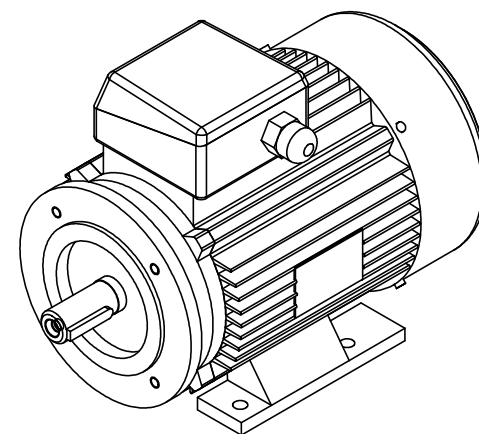
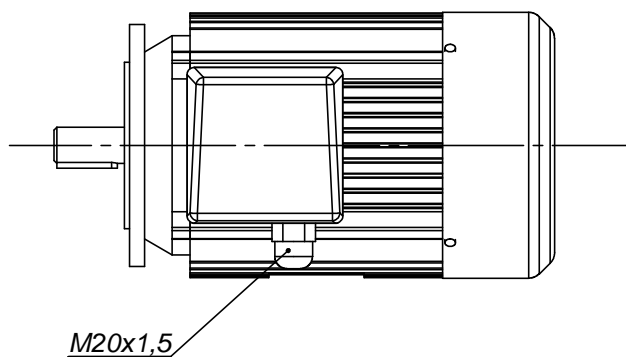
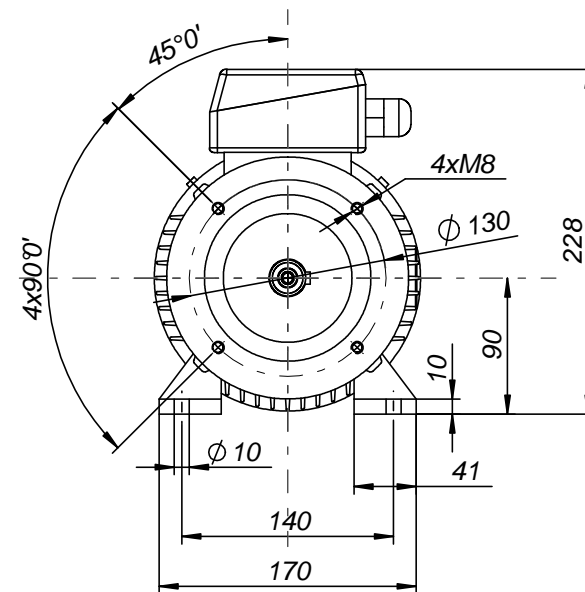
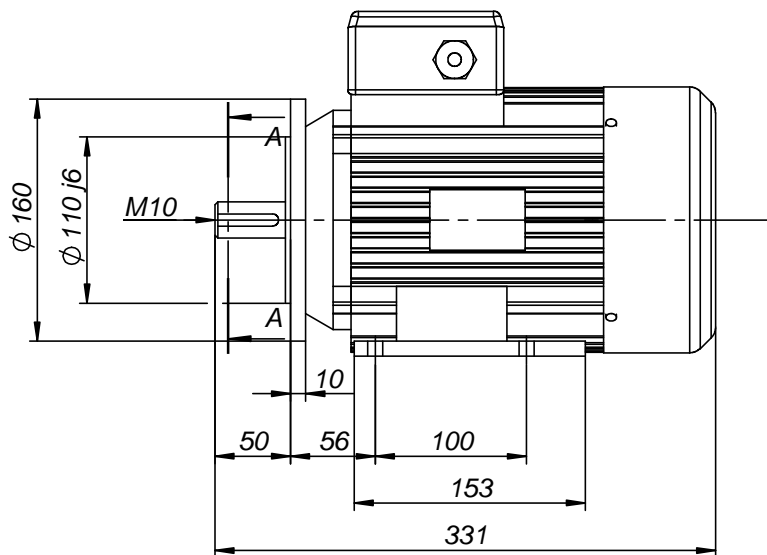
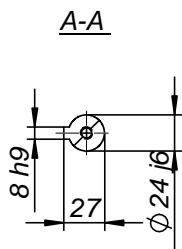
**2SIE90S2,4,6**

Drawing no.

**S-758-01-2011**

Scale

**1:5**



Motor type

**2SIEL90S,2,4,6-B14C1**

Drawing no.

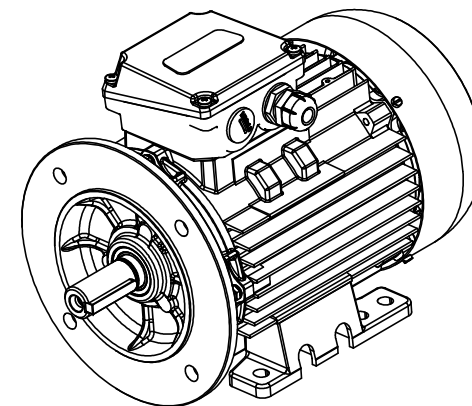
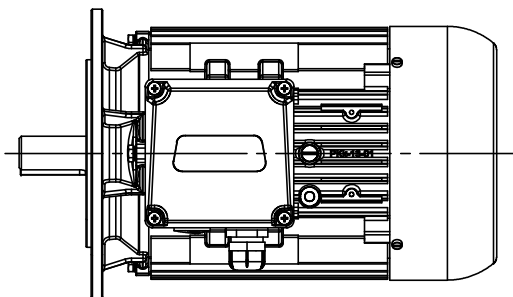
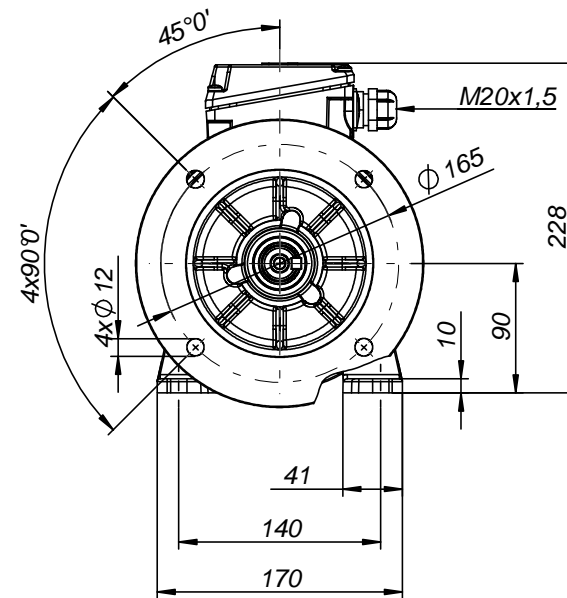
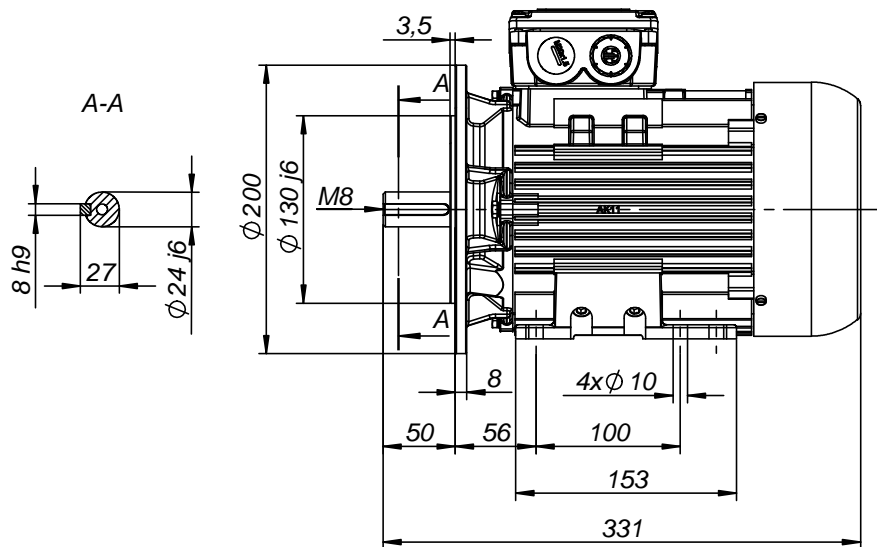
**S-1043-01-2012**

Scale

**1:5**

**CELMA**  
indukta

**Cantoni**<sup>®</sup>  
GROUP



FABRYKA MASZYN ELEKTRYCZNYCH S.A.  
**indukta** 

**Cantoni**®  
 GROUP

Motor type

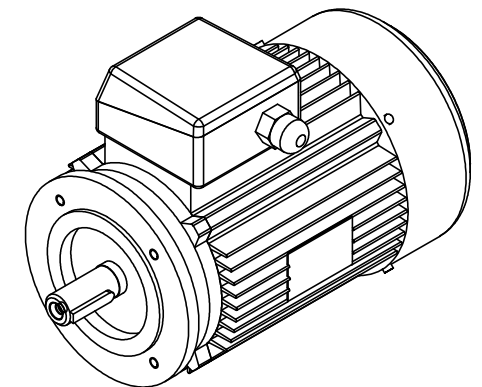
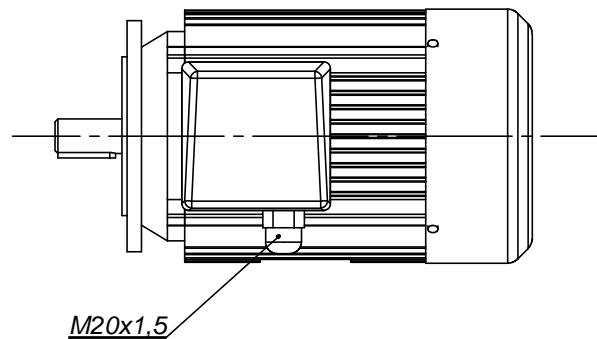
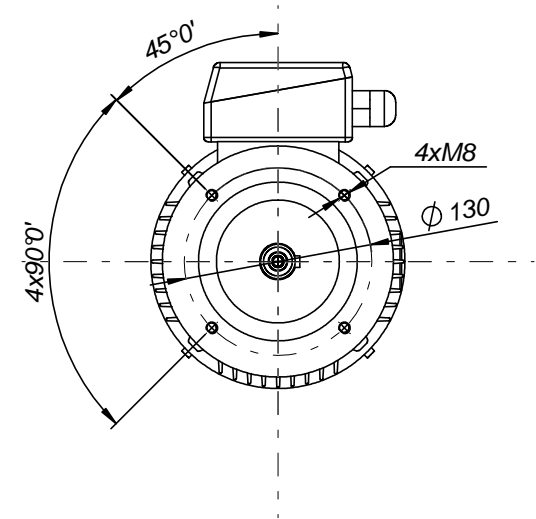
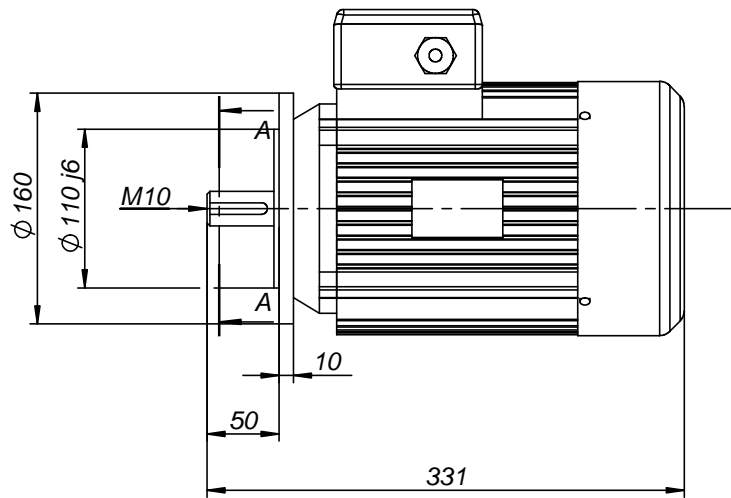
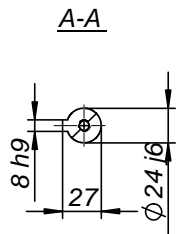
**2SIEL90S2,4,6**

Drawing no.

**S-786-01-2011**

Scale

**1:5**



Motor type

**2SIEK90S,2,4,6-B14C1**

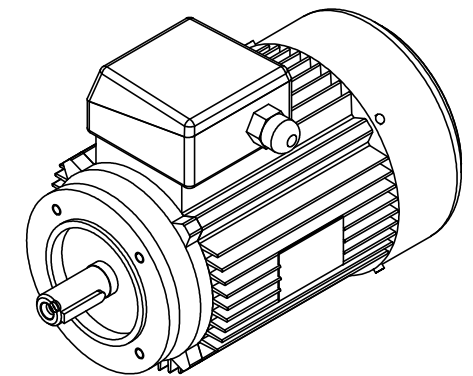
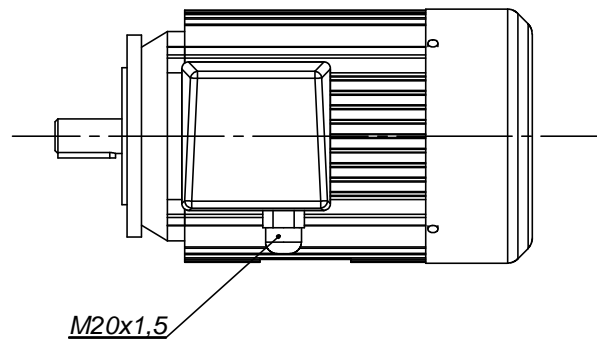
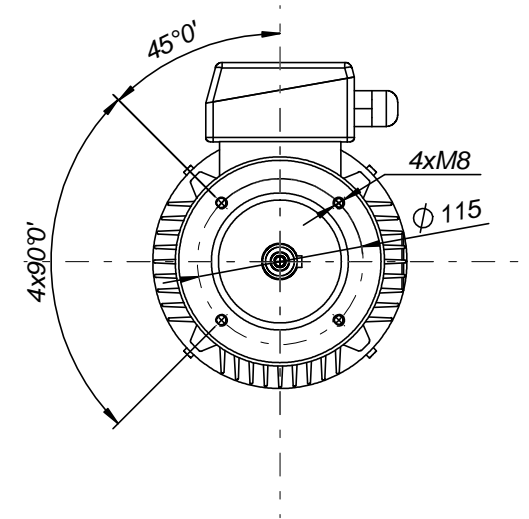
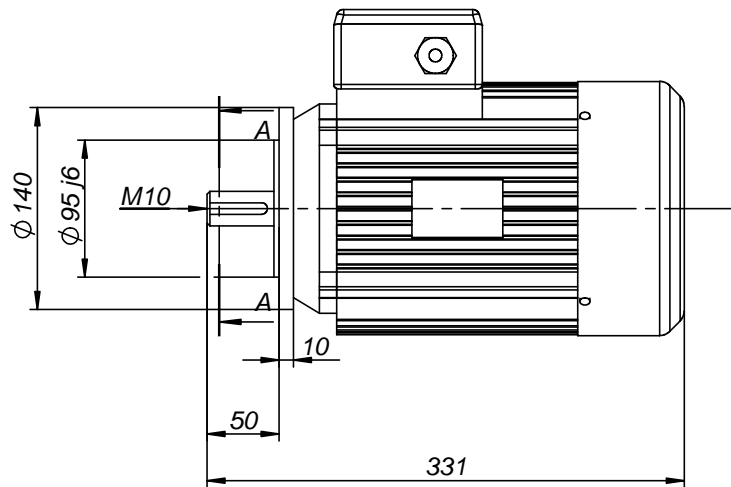
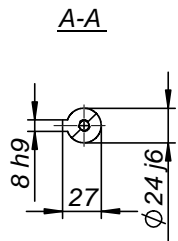
Drawing no.

**S-1040-01-2012**

Scale

**1:5**





Motor type

**2SIEK90S,2,4,6-B14C2**

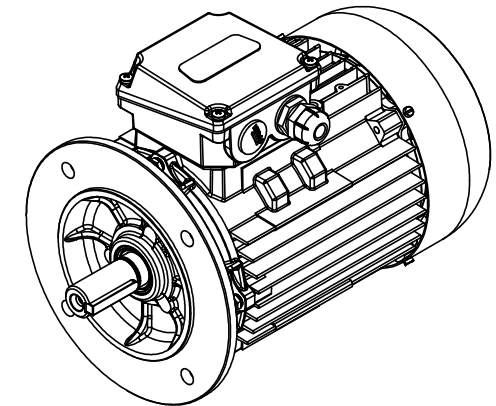
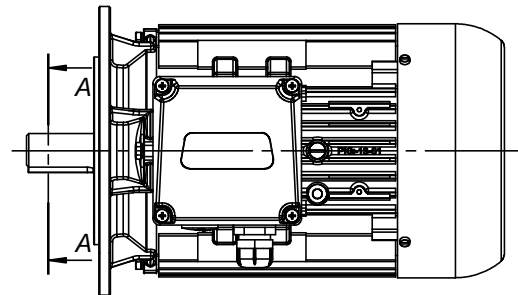
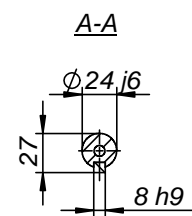
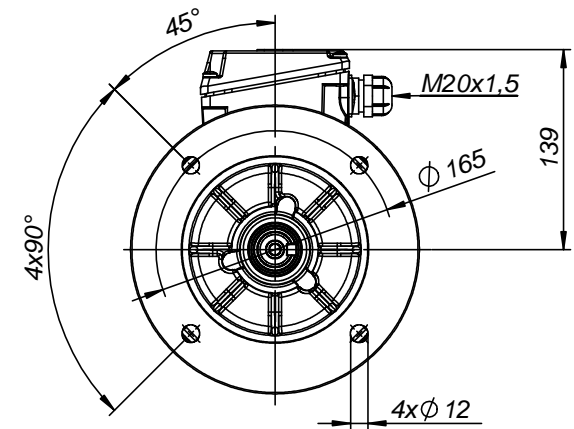
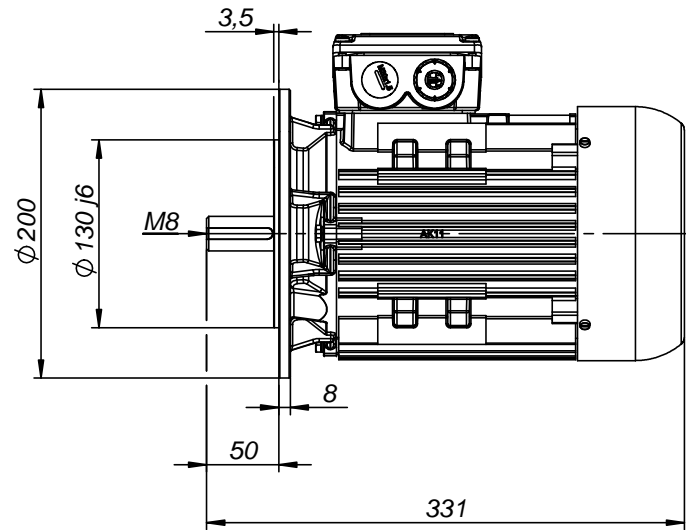
Drawing no.

**S-1046-01-2012**

Scale

**1:5**

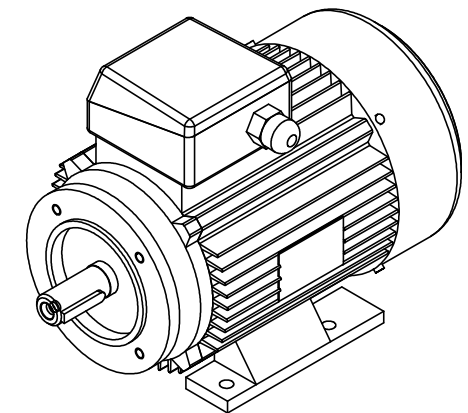
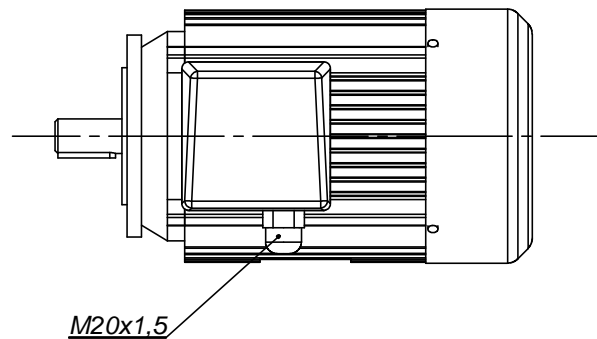
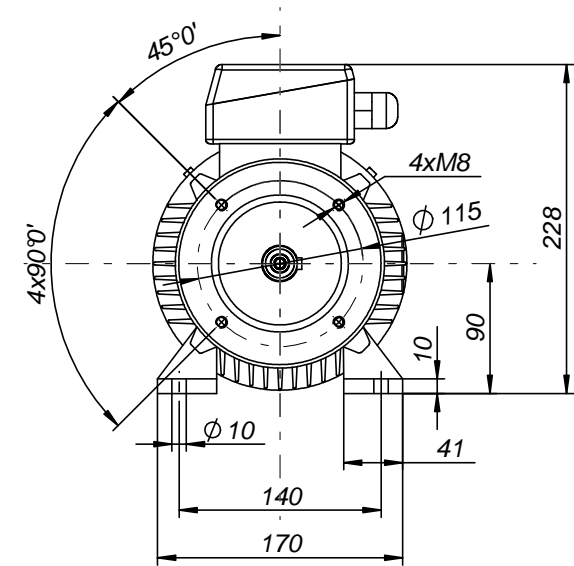
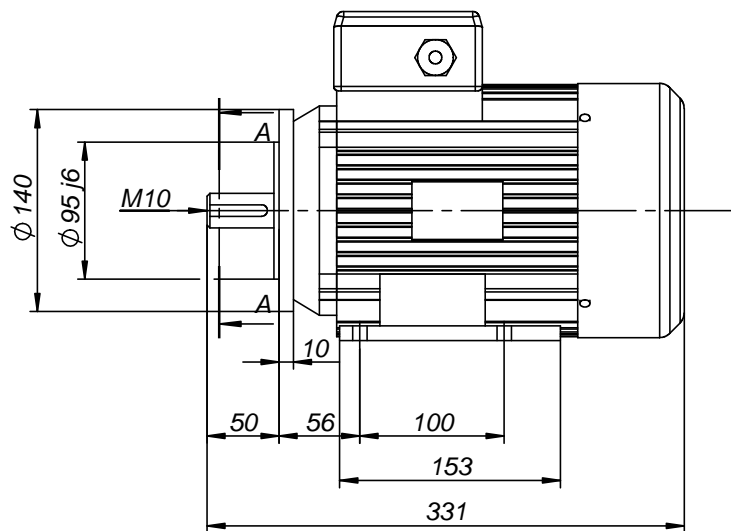
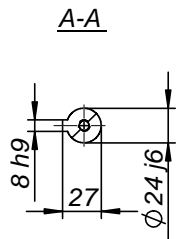




Motor type **2SIEK90S2,4,6**

Drawing no. **S-772-01-2011**

Scale **1:5**



Motor type

**2SIEL90S,2,4,6-B14C2**

Drawing no.

**S-1049-01-2012**

Scale

**1:5**

