

**CELMA**  
indukta

Motor type

**3SIE100L2,6-B3**

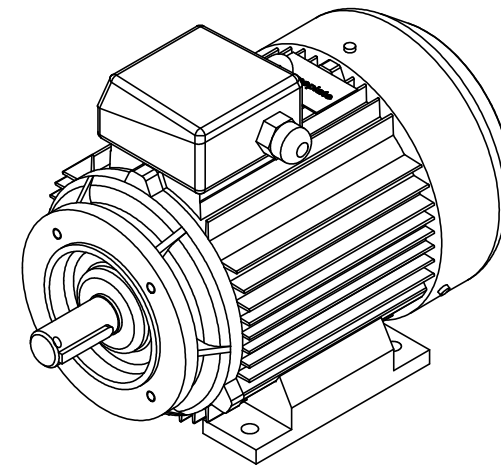
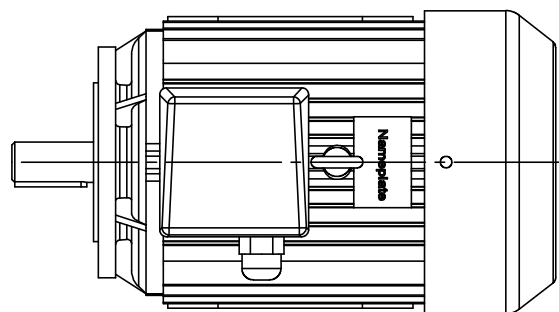
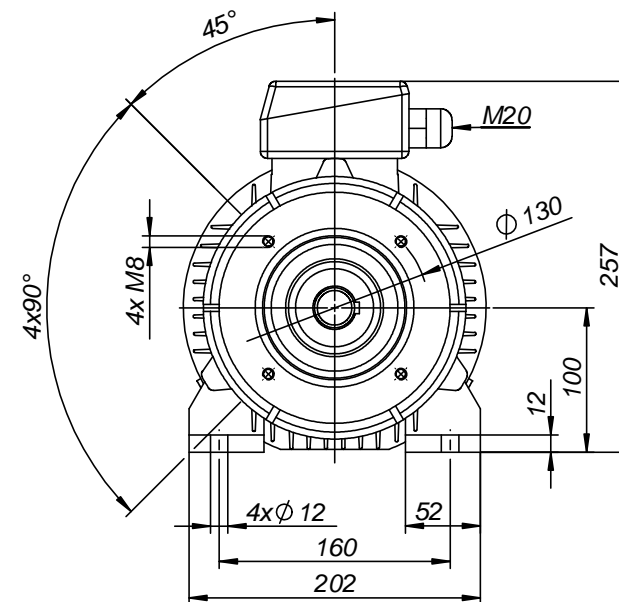
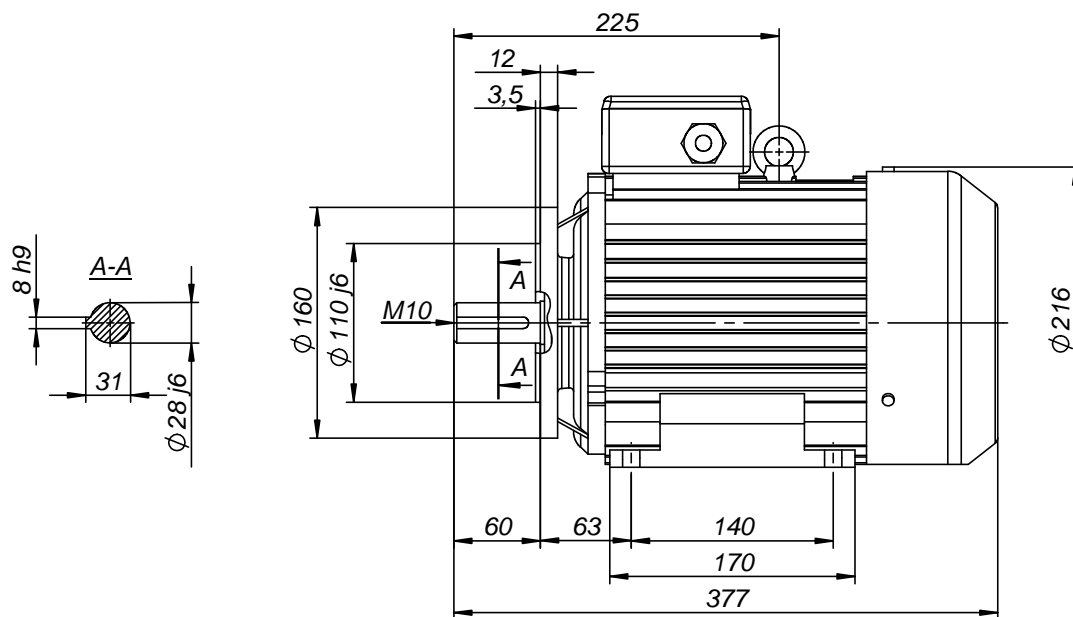
**Cantoni**<sup>®</sup>  
GROUP

Drawing no.

**S-1938-01-2016**

Scale

**1:5**



Motor type

**3SIEL100L2,6-B34-C2**

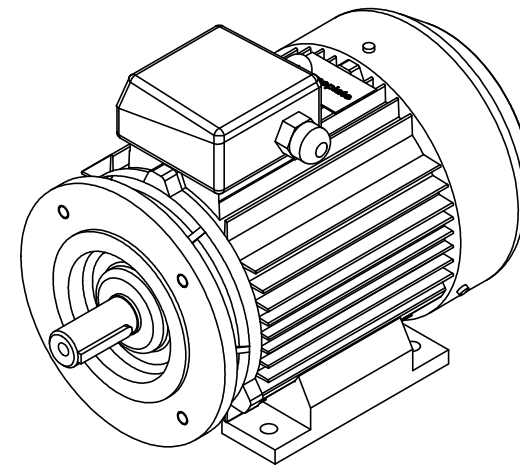
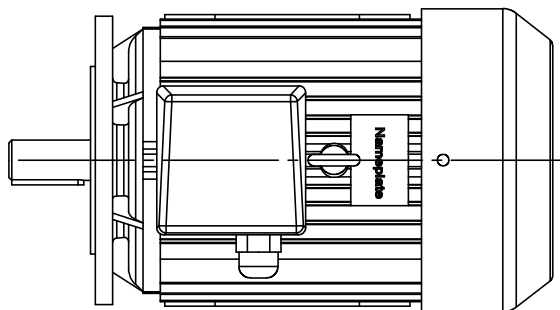
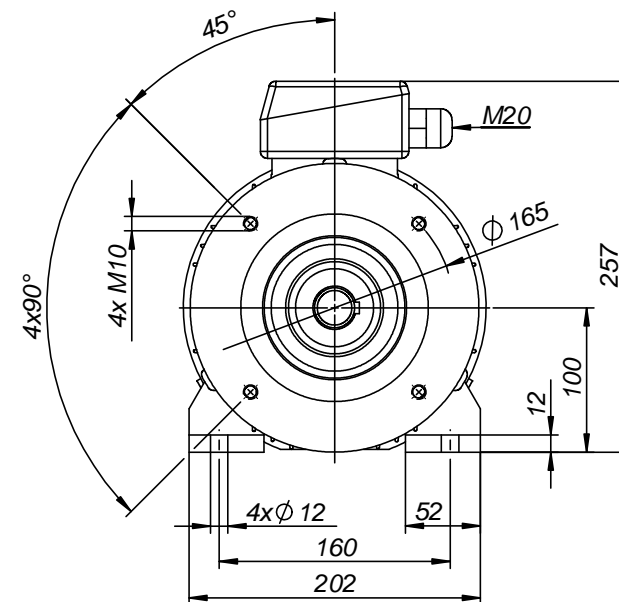
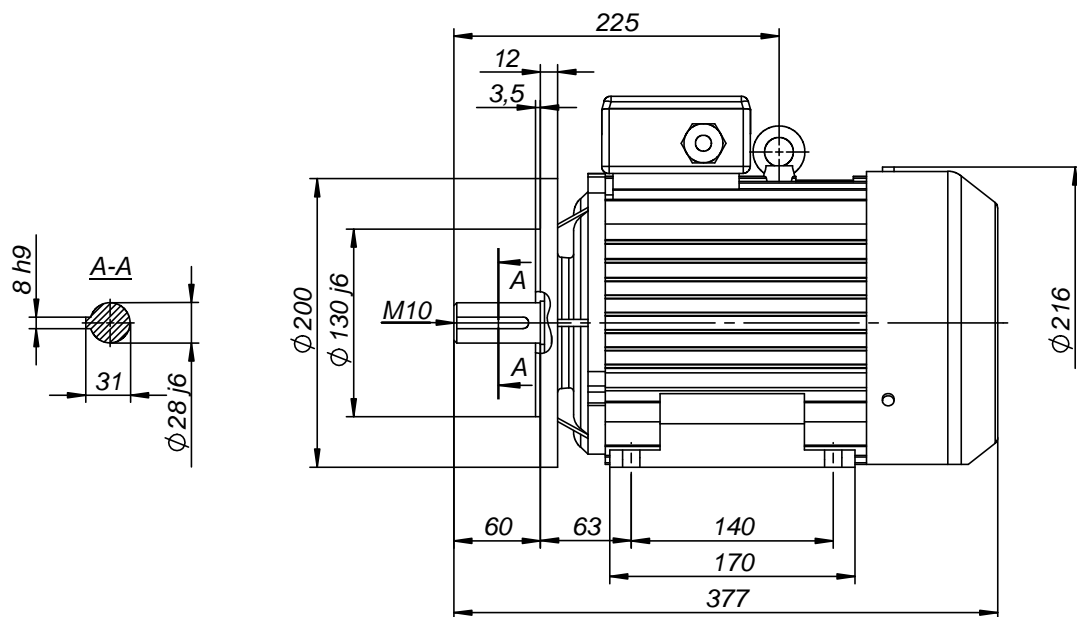
Drawing no.

**S-1974-01-2016**

Scale

**1:5**





Motor type

**3SIEL100L2,6-B34-C1**

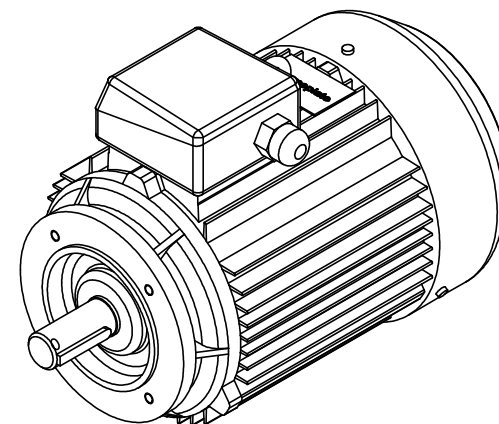
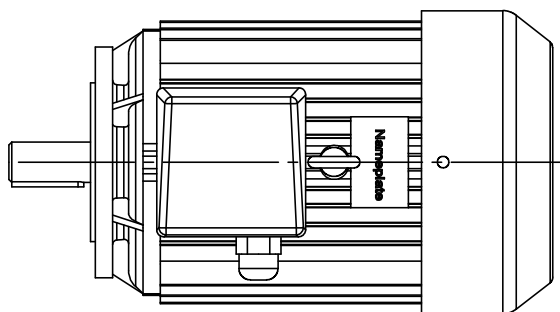
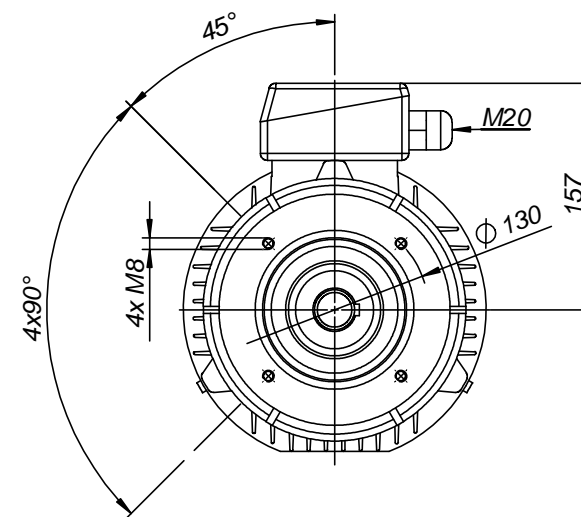
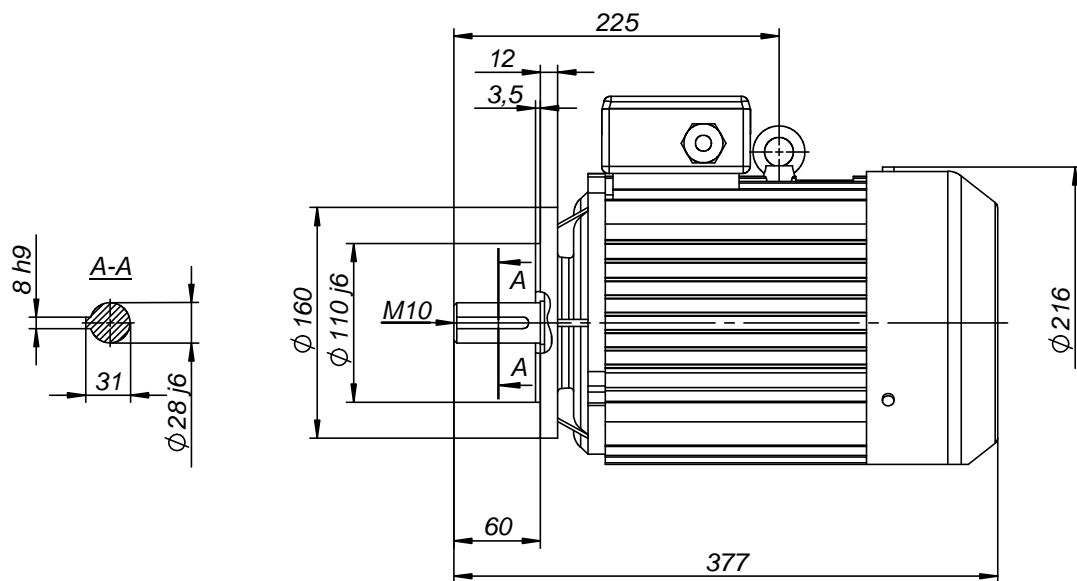
Drawing no.

**S-1973-01-2016**

Scale

**1:5**





**CELMA**  
indukta

Motor type

**3SIEK100L2,6-B14-C2**

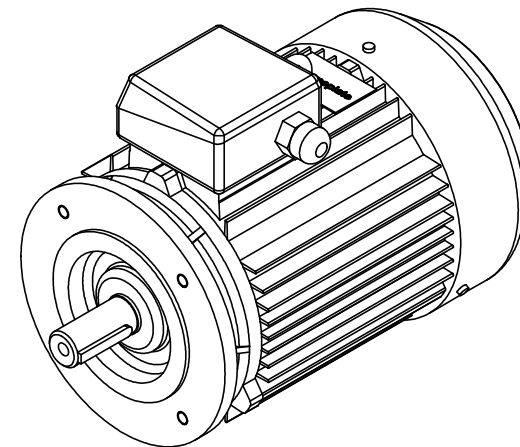
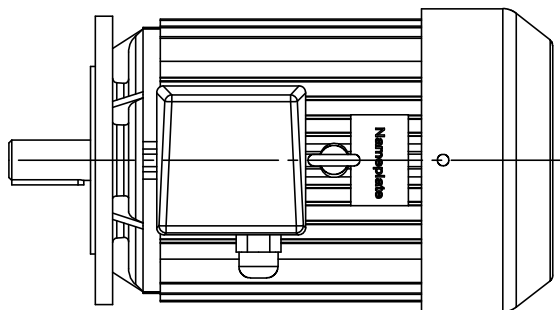
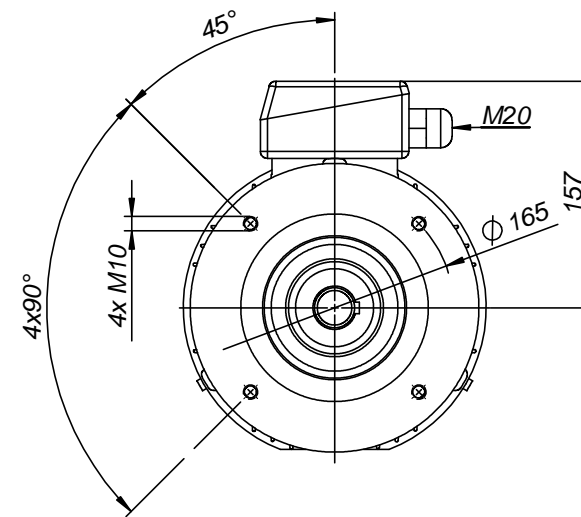
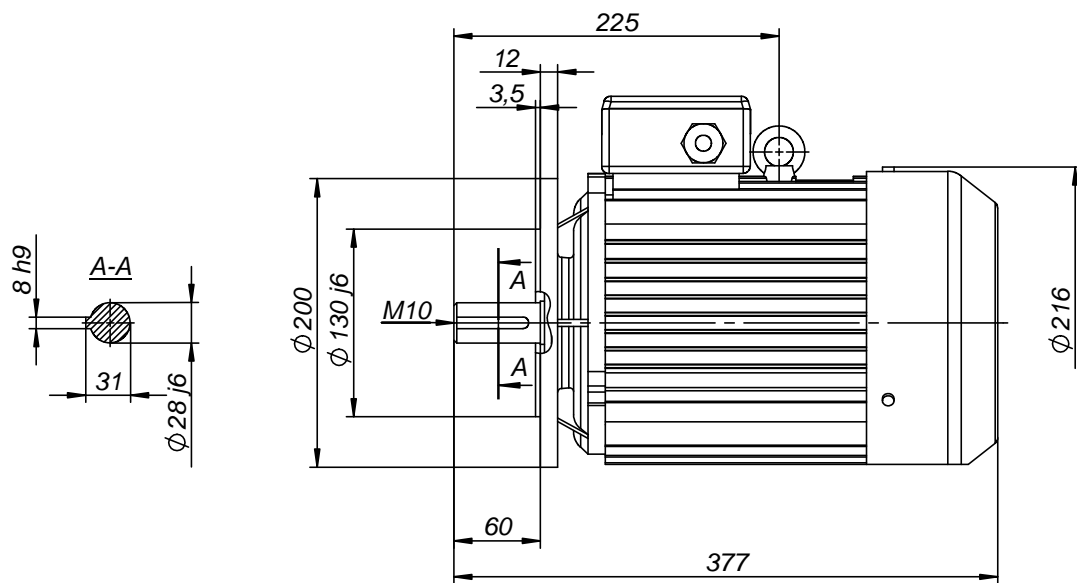
Drawing no.

**S-1960-01-2016**

Scale

**1:5**

**Cantoni**<sup>®</sup>  
GROUP



**CELMA**  
**indukta**

Motor type

**3SIEK100L2,6-B14-C1**

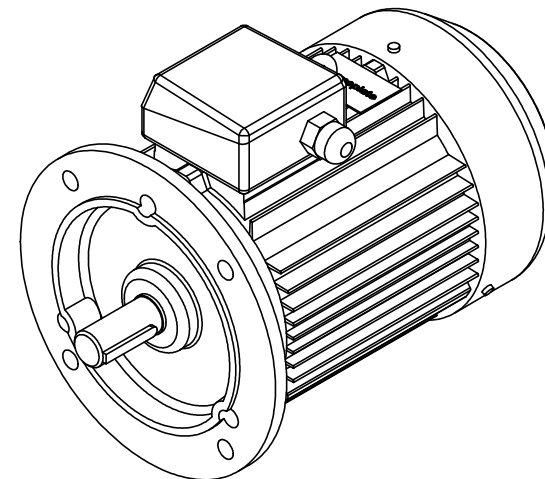
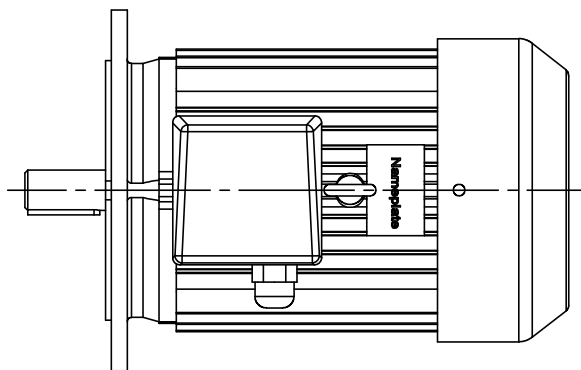
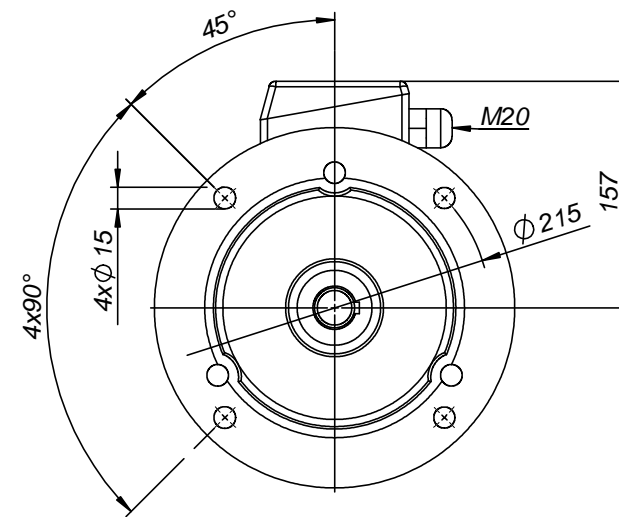
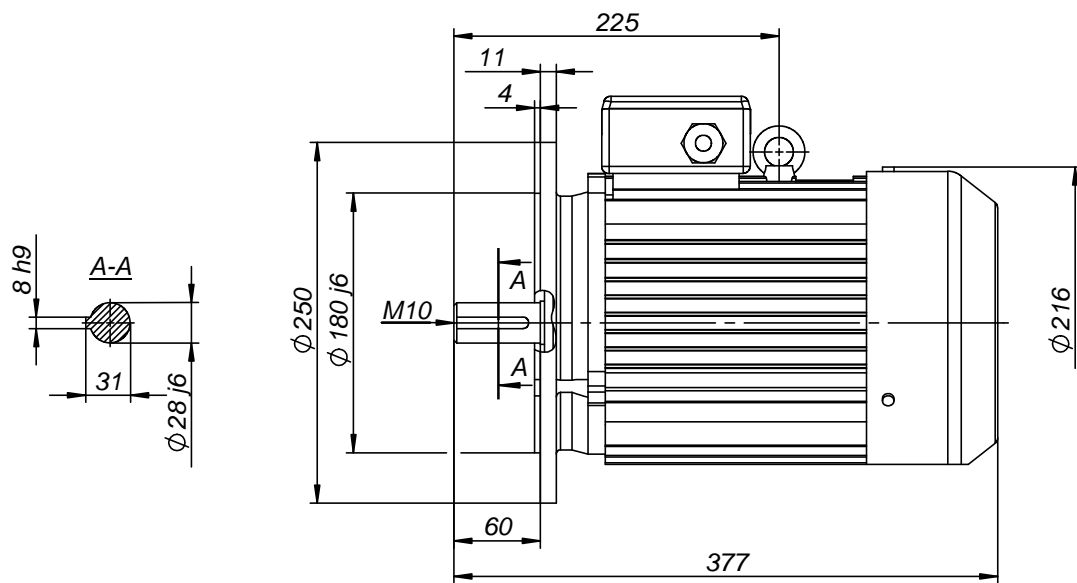
Drawing no.

**S-1959-01-2016**

Scale

**1:5**

**Cantoni**<sup>®</sup>  
GROUP



**CELMA**  
indukta

Motor type

**3SIEK100L2,6-B5**

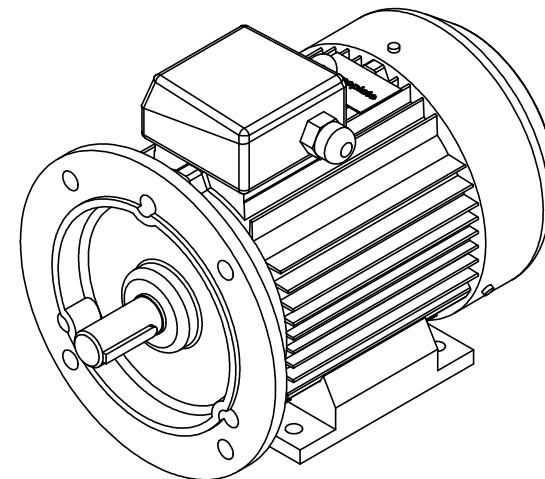
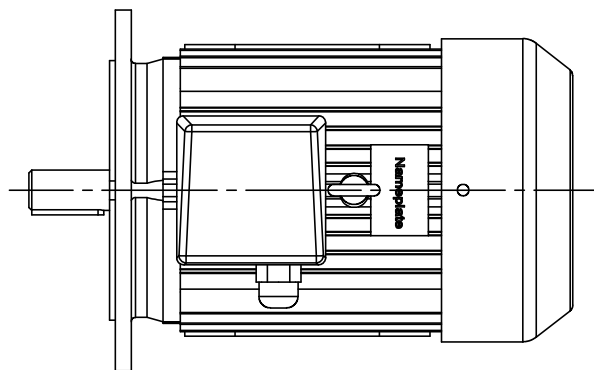
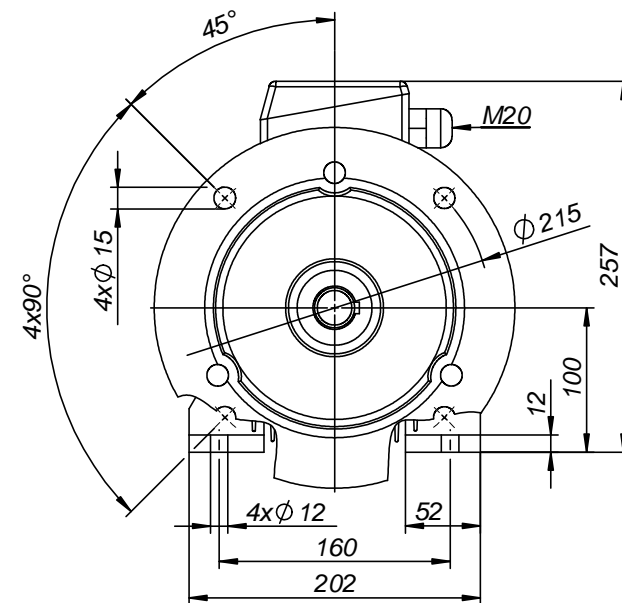
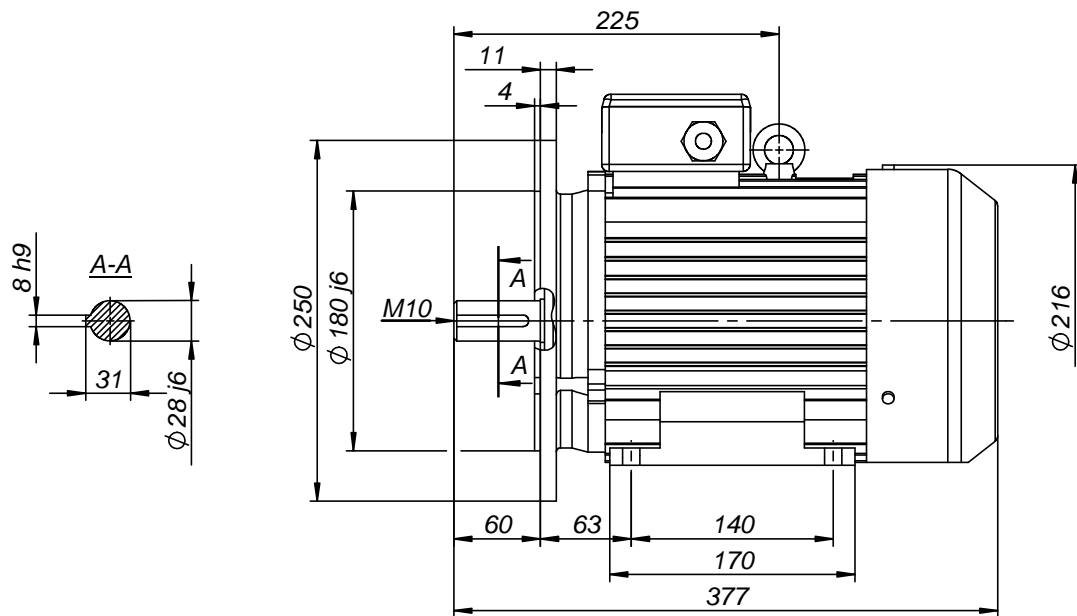
Drawing no.

**S-1944-01-2016**

Scale

**1:5**

**Cantoni**<sup>®</sup>  
GROUP



**CELMA**  
indukta

Motor type

**3SIEL100L2,6-B35**

Drawing no.

**S-1951-01-2016**

Scale

**1:5**

**Cantoni**<sup>®</sup>  
GROUP