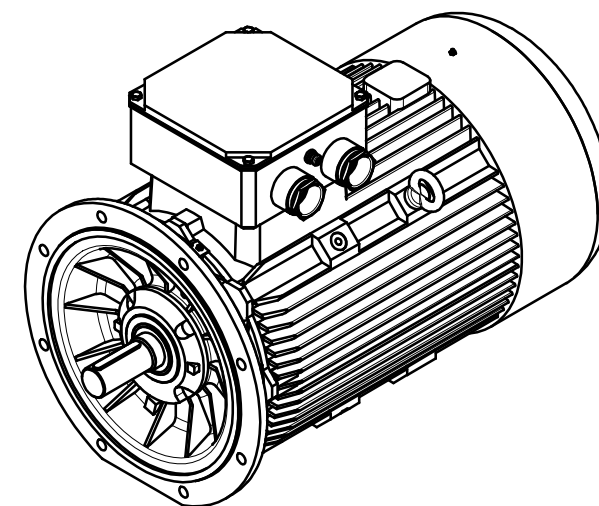
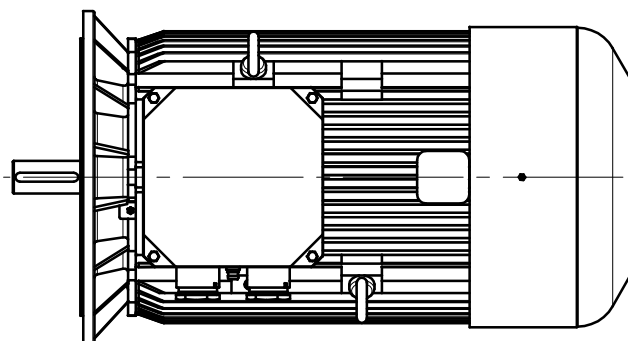
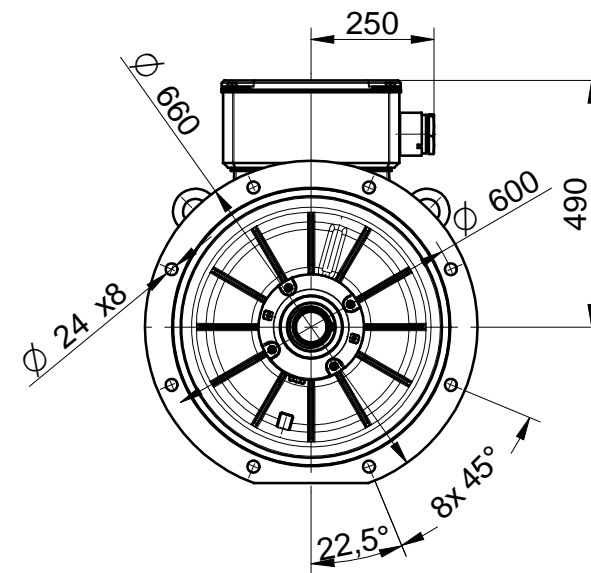
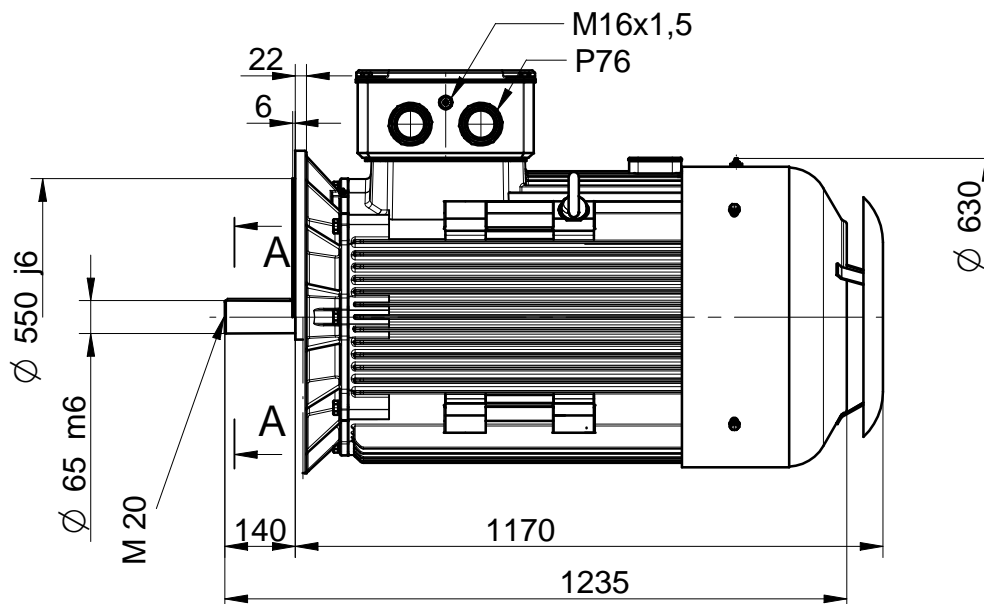
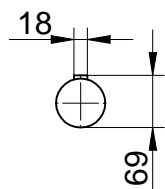




A-A



**CELMA**  
**indukta**

*Cantoni*  
GROUP

Motor type

**(2,3)SIEK315S2,M2A,B**

2014-10-27

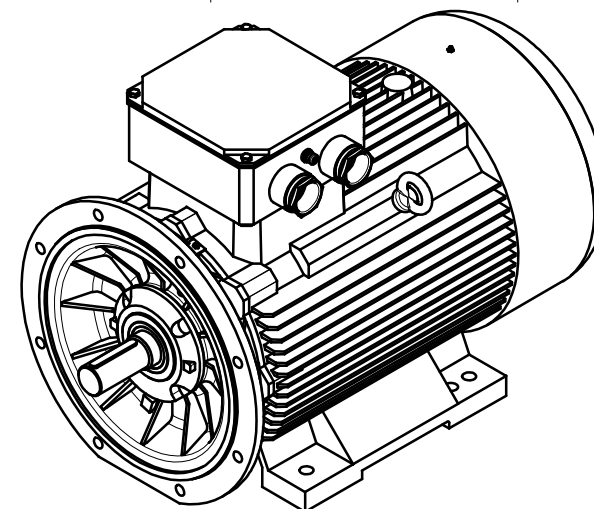
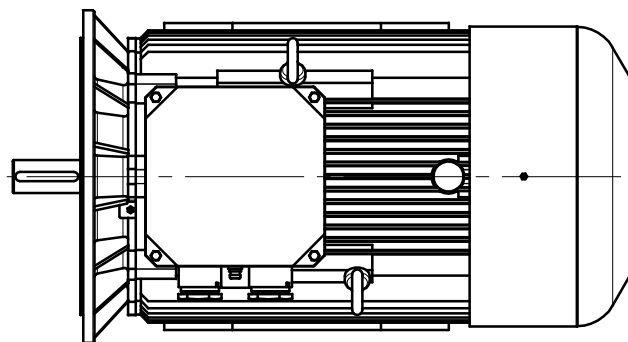
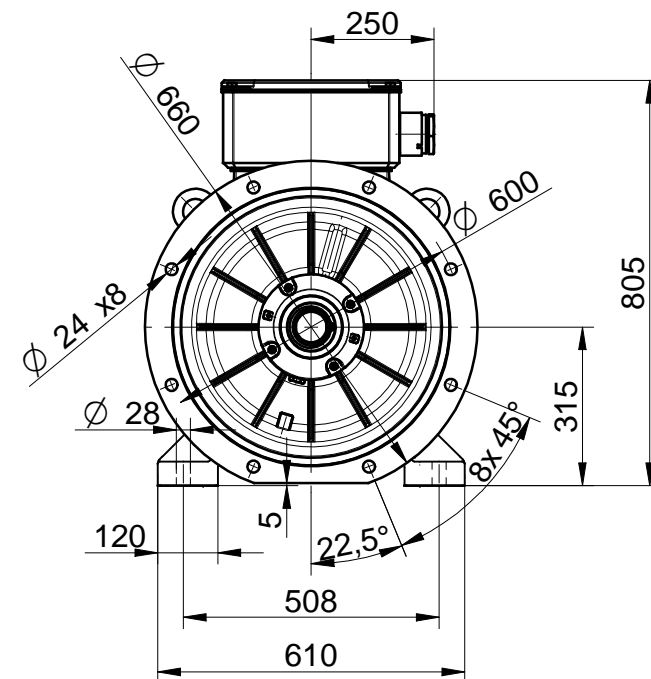
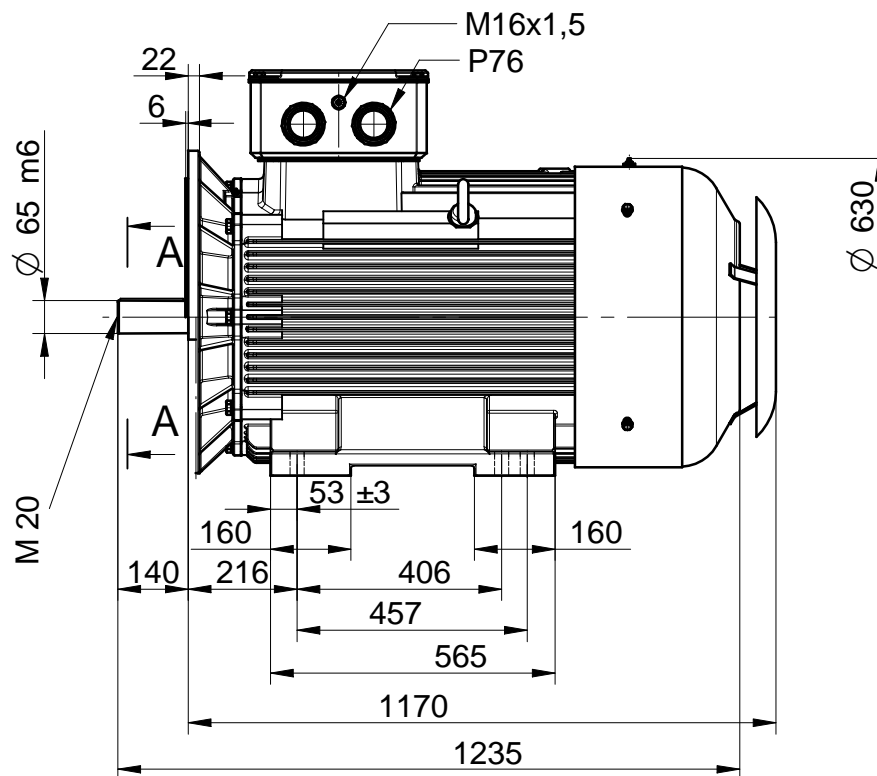
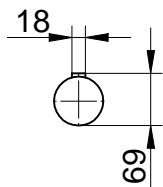
Drawing no.

**S05,09-572..574-000**

Scale

**1:15**

A-A



**CELMA**  
**indukta**

*Cantoni*  
GROUP

Motor type

**(2,3)SIEL315S2,M2A,B**

2014-07-14

Drawing no.

**S05,09-563..565-000**

Scale

**1:15**