

**CELMA**  
**indukta**

*Cantoni*  
GROUP

Motor type

**2Sg 315 S,M2**

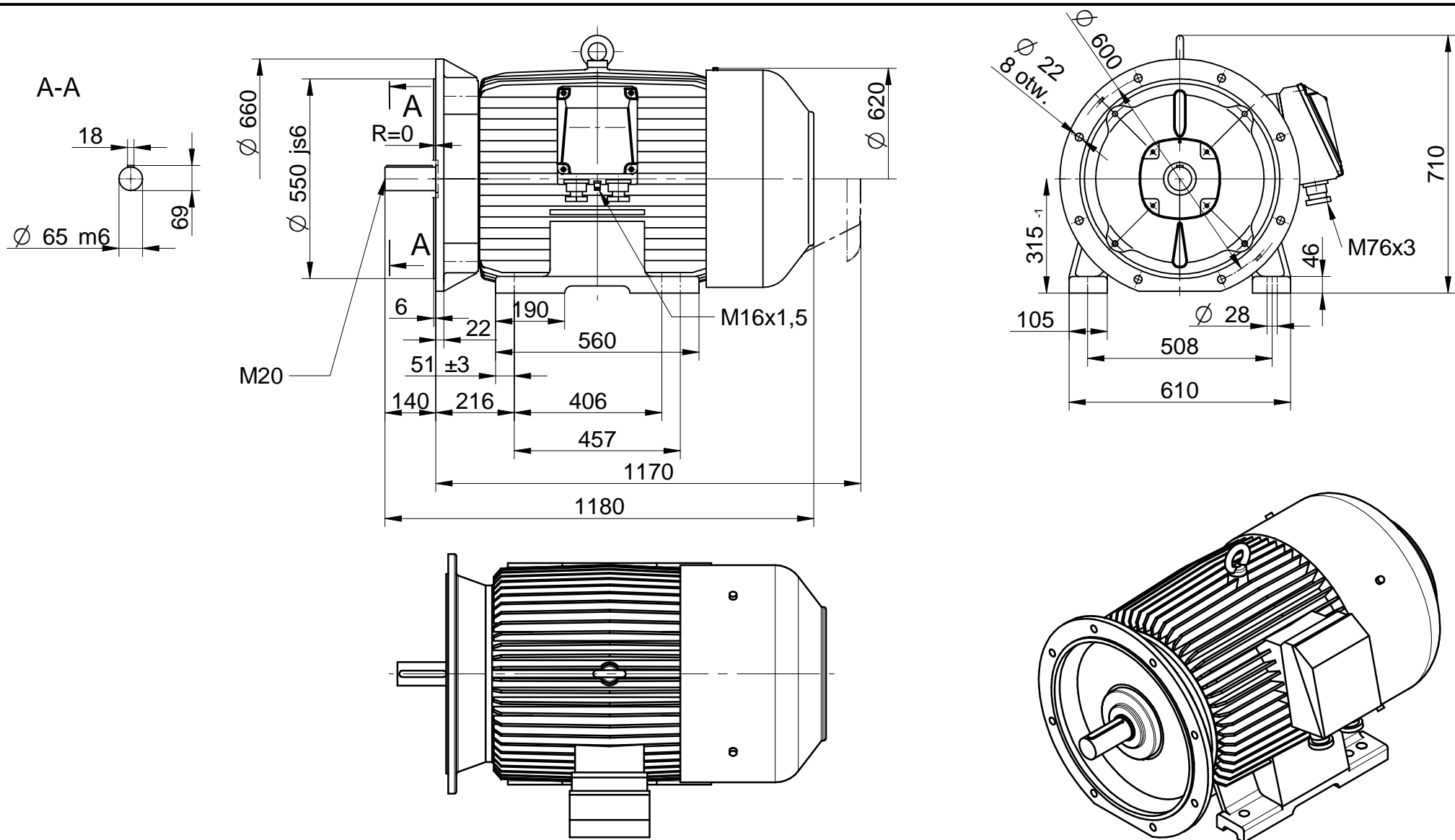
2016-09-16

Drawing no.

**S01-500-000**  
**S01-504...505-000**

Scale

**1:15**



**CELMA**  
**indukta**

*Cantoni*  
GROUP

Motor type

**2SLg 315 S,M2**

2016-09-16

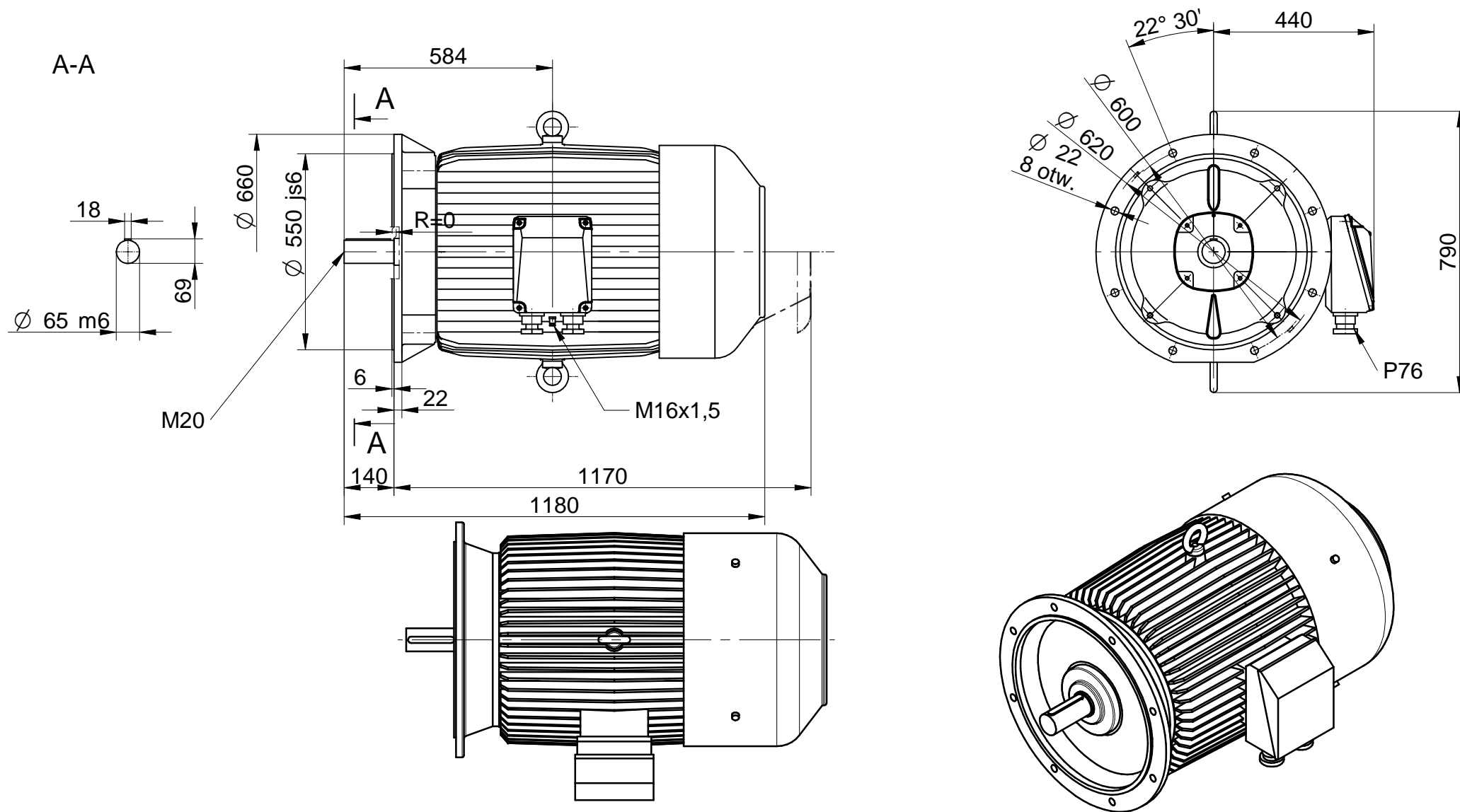
Drawing no.

**S01-512-000**

**S01-516...17-000**

Scale

**1:15**



**CELMA**  
indukta

*Cantoni*  
GROUP

Motor type

**2SKg 315 S,M2**

2016-09-16

Drawing no.

**S01-524-000**  
**S01-528...529-000**

Scale

**1:15**