

CELMA
indukta

Motor type

3SIE100L4A,4B-B3

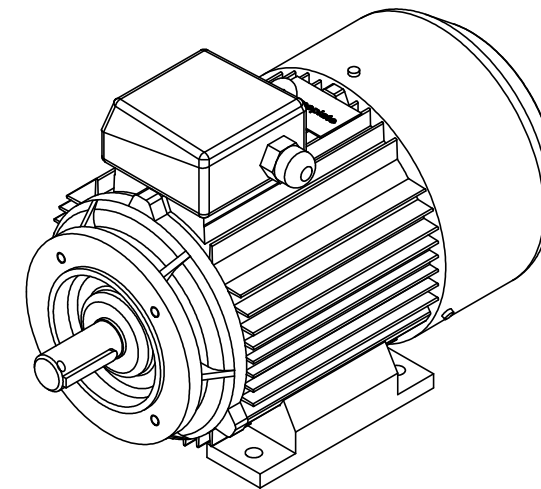
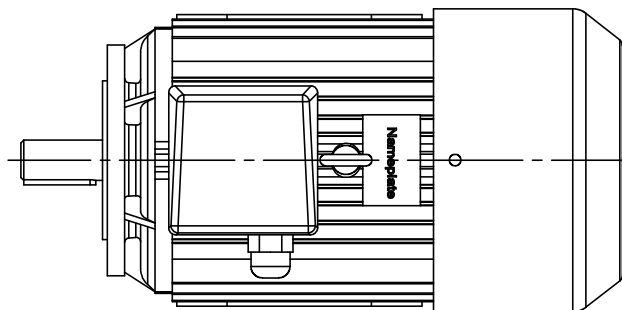
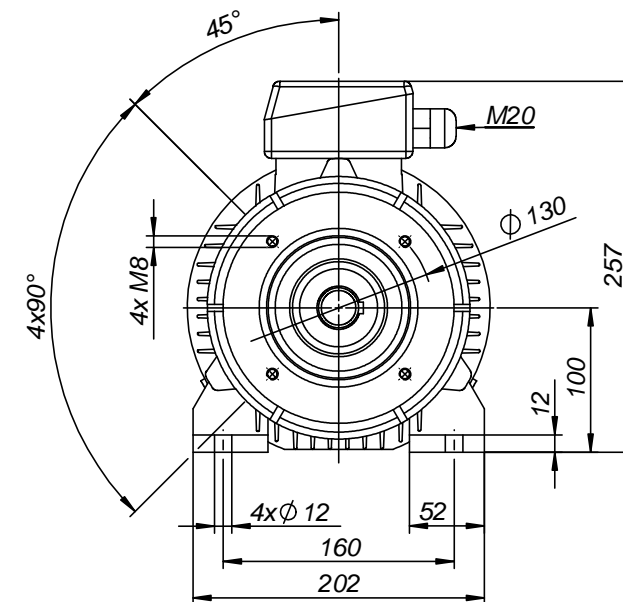
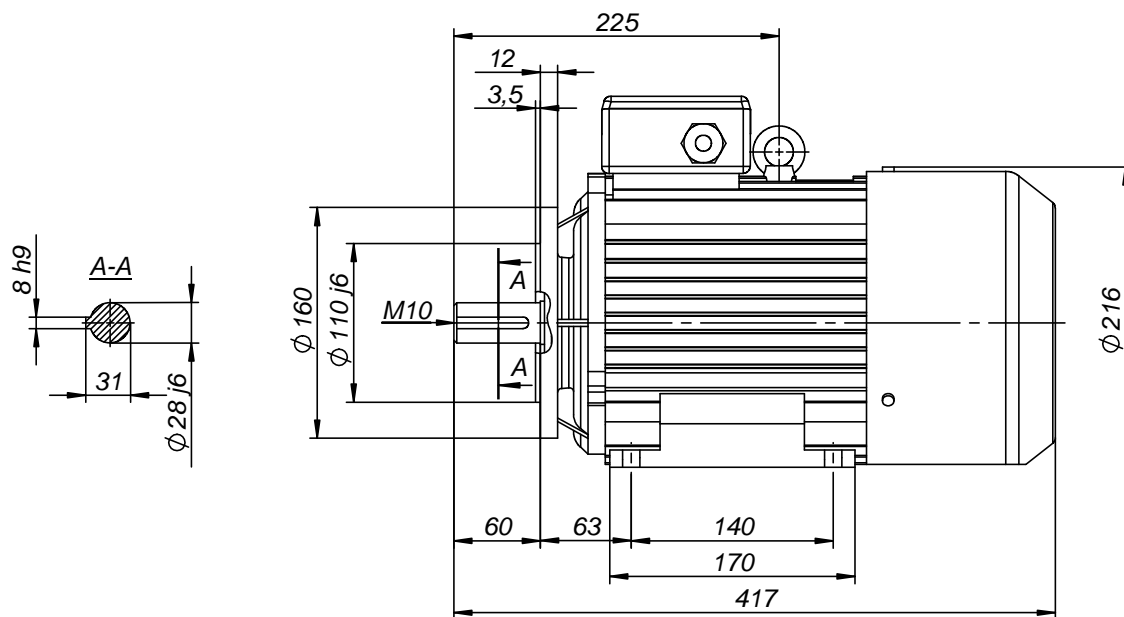
Drawing no.

S-1939-01-2016

Scale

1:5

Cantoni[®]
GROUP



CELMA
indukta

Motor type

3SIEL 100L4A,4B-B34-C2

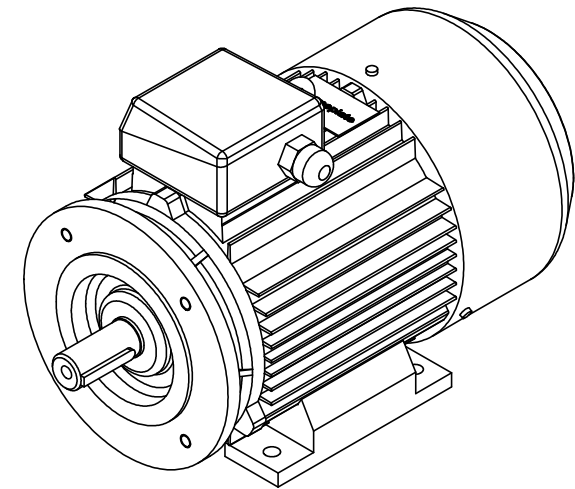
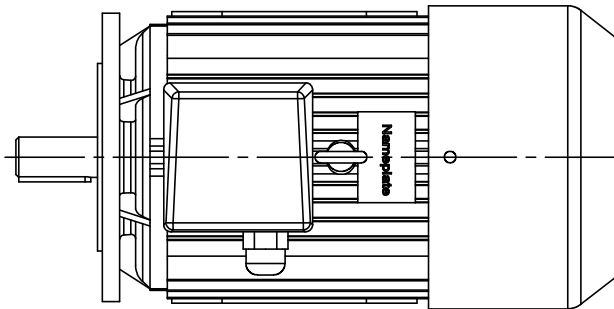
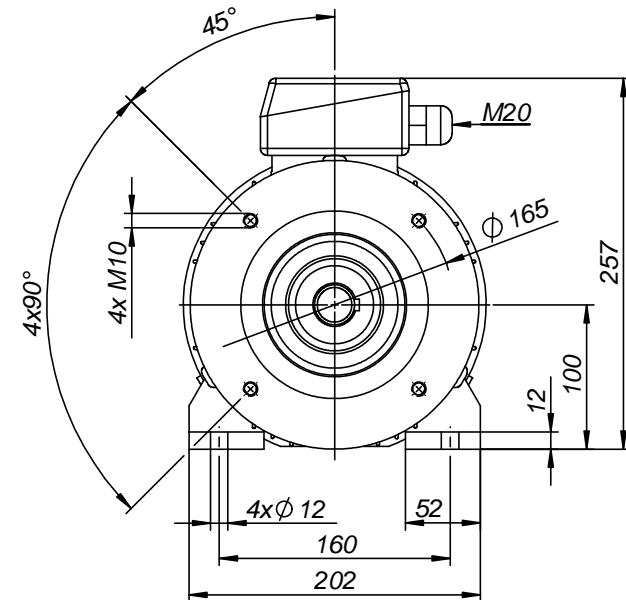
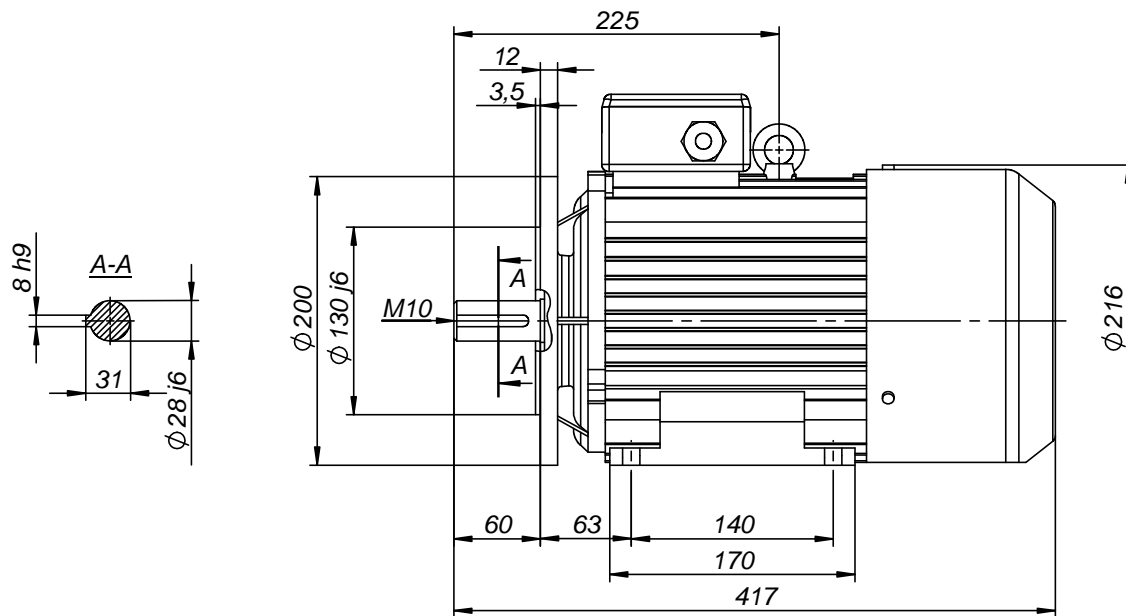
Drawing no.

S-1976-01-2016

Scale

1:5

Cantoni[®]
GROUP



Motor type

3SIEL 100L4A,4B-B34-C1

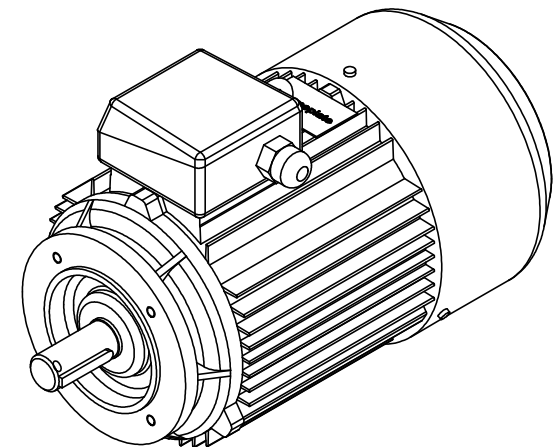
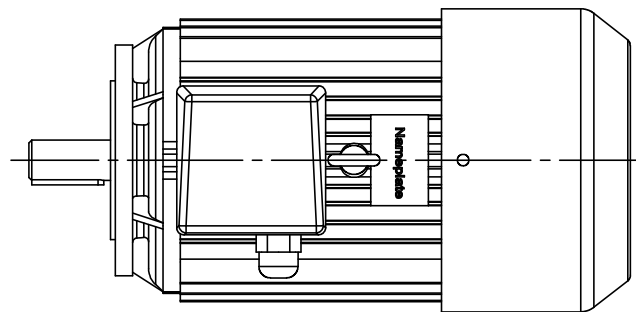
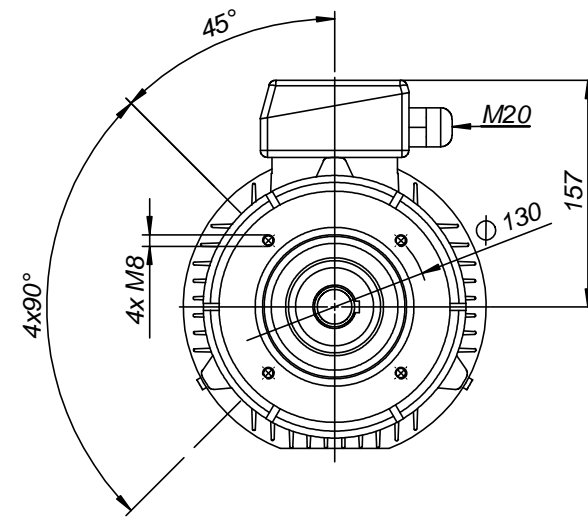
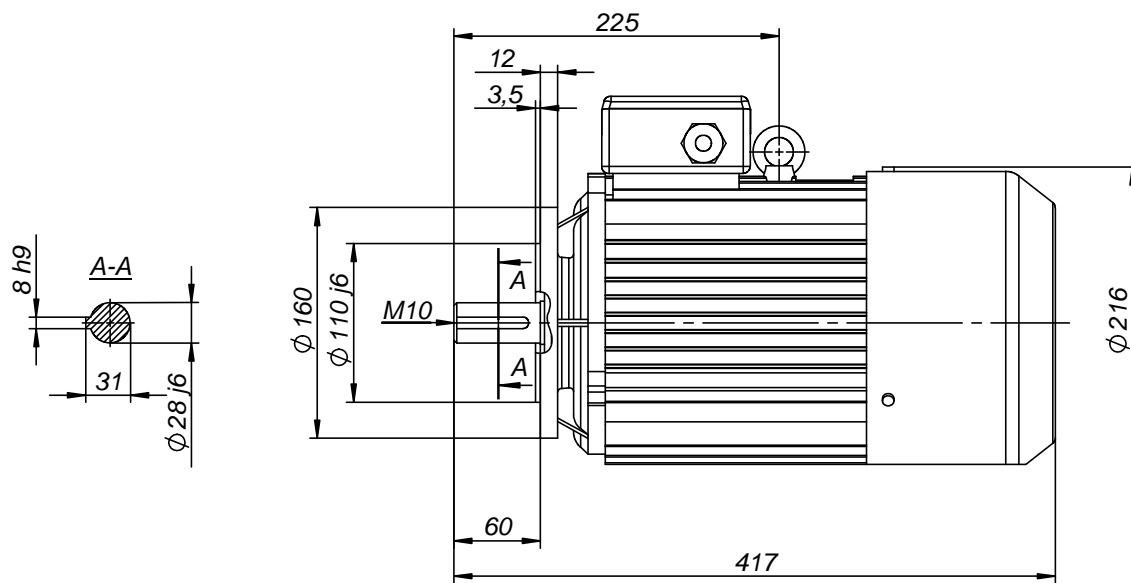


Drawing no.

S-1975-01-2016

Scale

1:5



CELMA
indukta

Motor type

3SIEK100L4A,4B-B14-C2

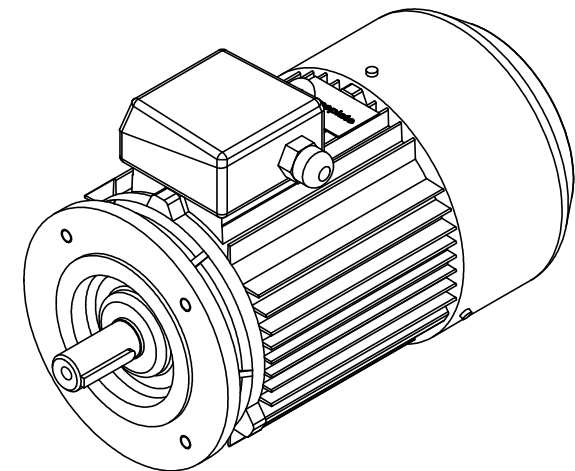
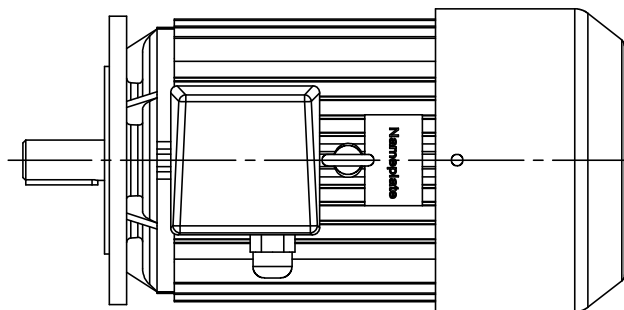
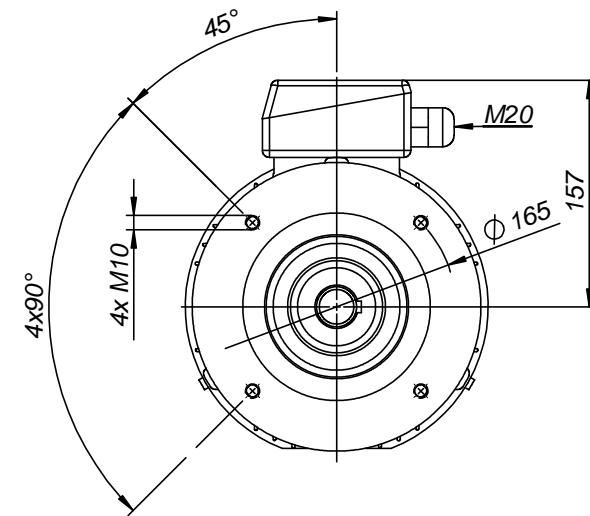
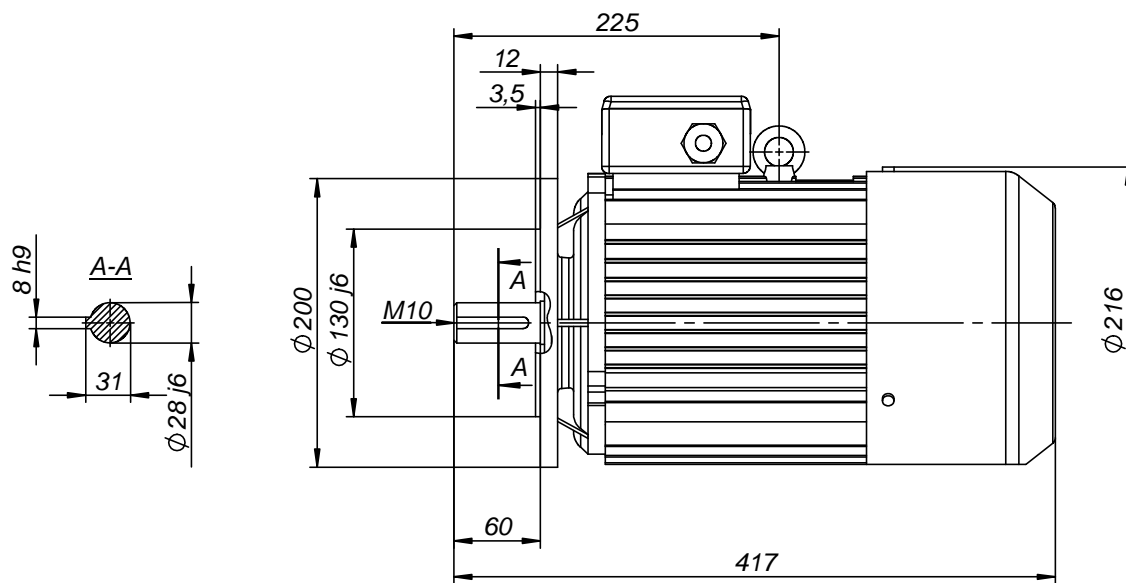
Drawing no.

S-1962-01-2016

Scale

1:5

Cantoni[®]
GROUP



CELMA
indukta

Motor type

3SIEK100L4A,4B-B14-C1

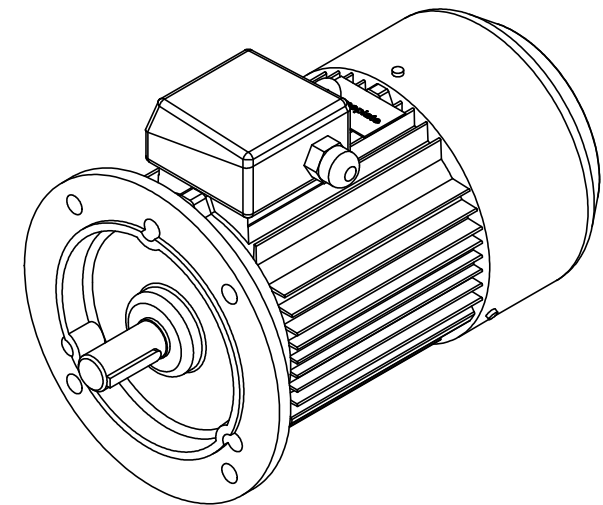
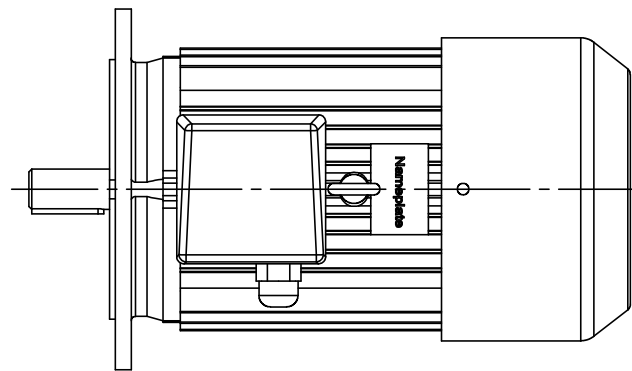
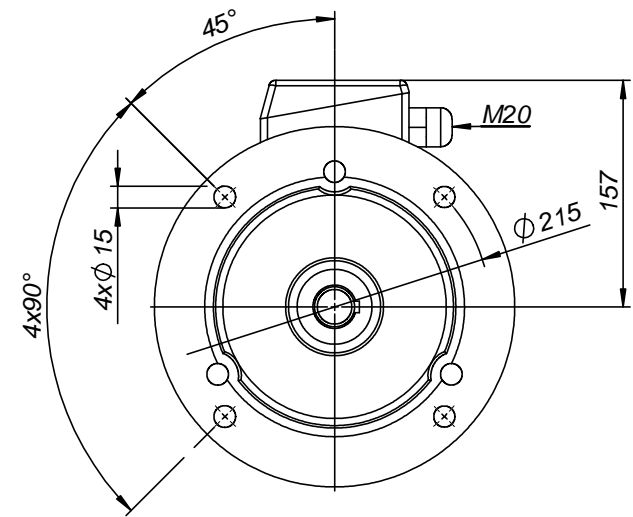
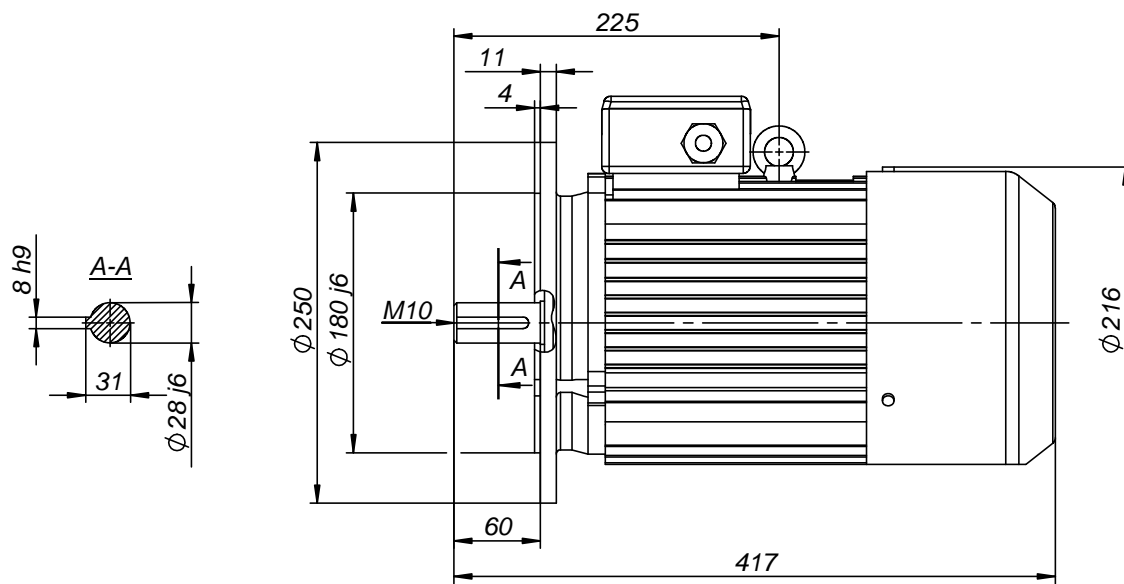
Drawing no.

S-1961-01-2016

Scale

1:5

Cantoni[®]
GROUP



Motor type

3SIEK100L4A,4B-B5

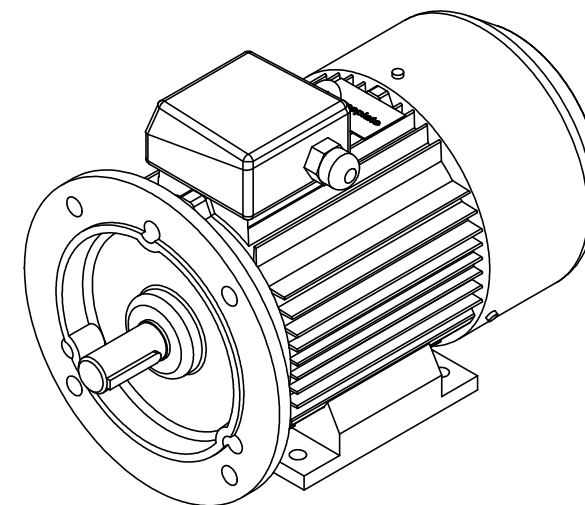
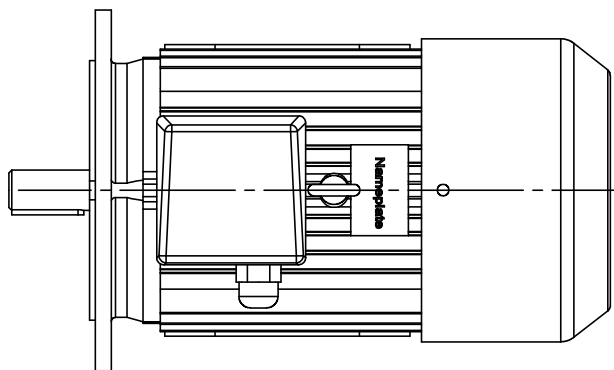
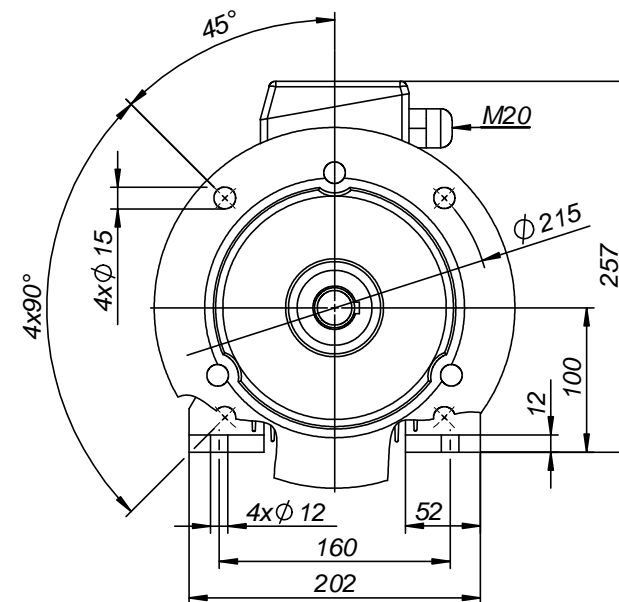
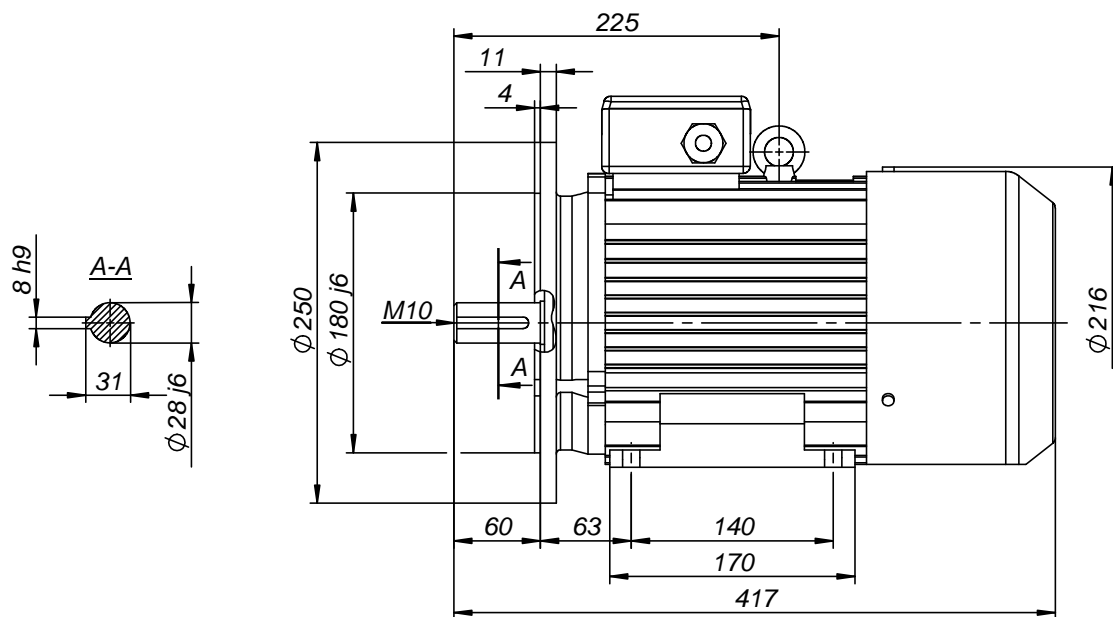
Drawing no.

S-1945-01-2016

Scale

1:5





CELMA
indukta

Motor type

3SIEL100L4A,4B-B35

Drawing no.

S-1952-01-2016

Scale

1:5

Cantoni[®]
GROUP