

**CELMA**  
**indukta**

*Cantoni*<sup>®</sup>  
GROUP

Motor type

**(2,3)SIE200L2,4,6**

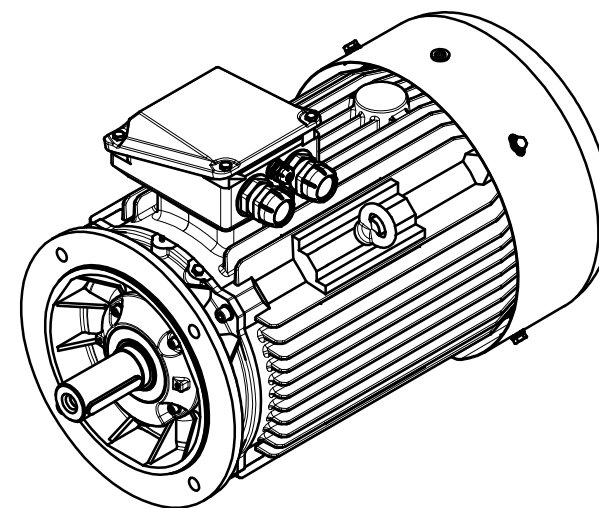
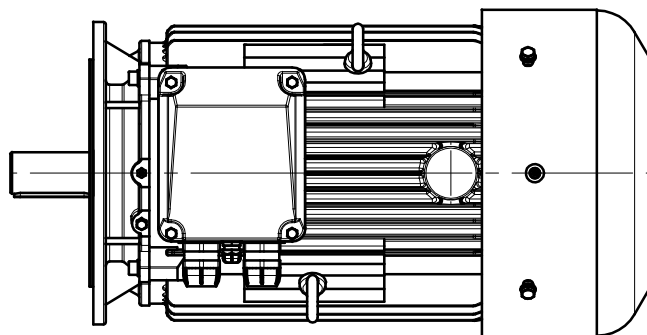
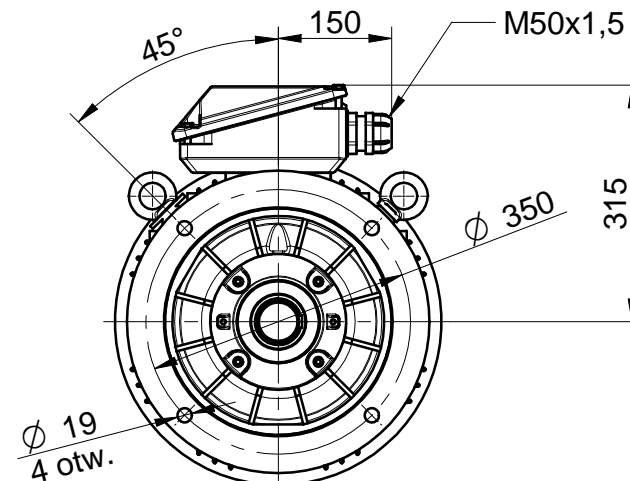
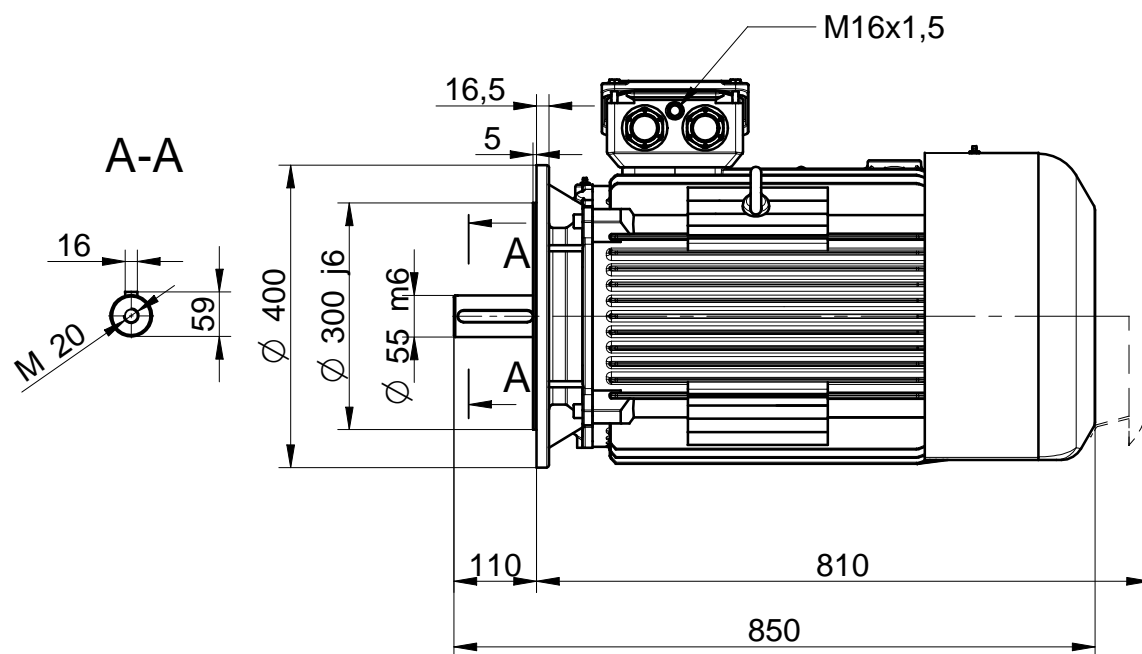
2014-06-27

Drawing no.

**S05,09-500...504-000**

Scale

**1:10**



**CELMA**  
**indukta**

*Cantoni*  
GROUP

Motor type

**(2,3)SIEK200L2,4,6**

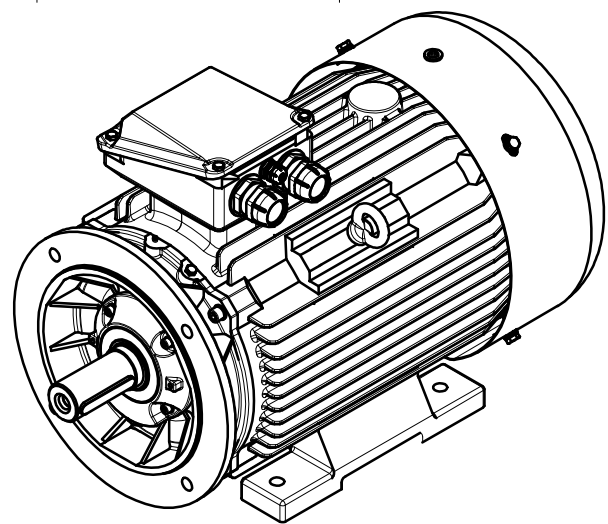
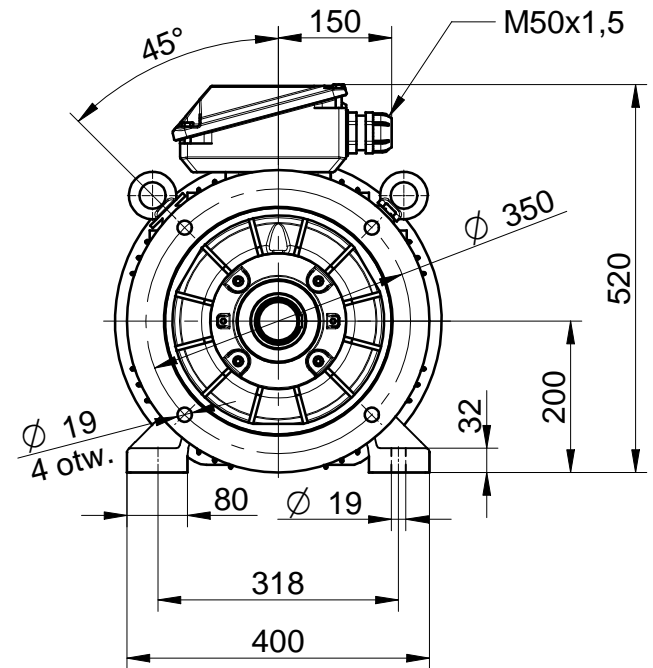
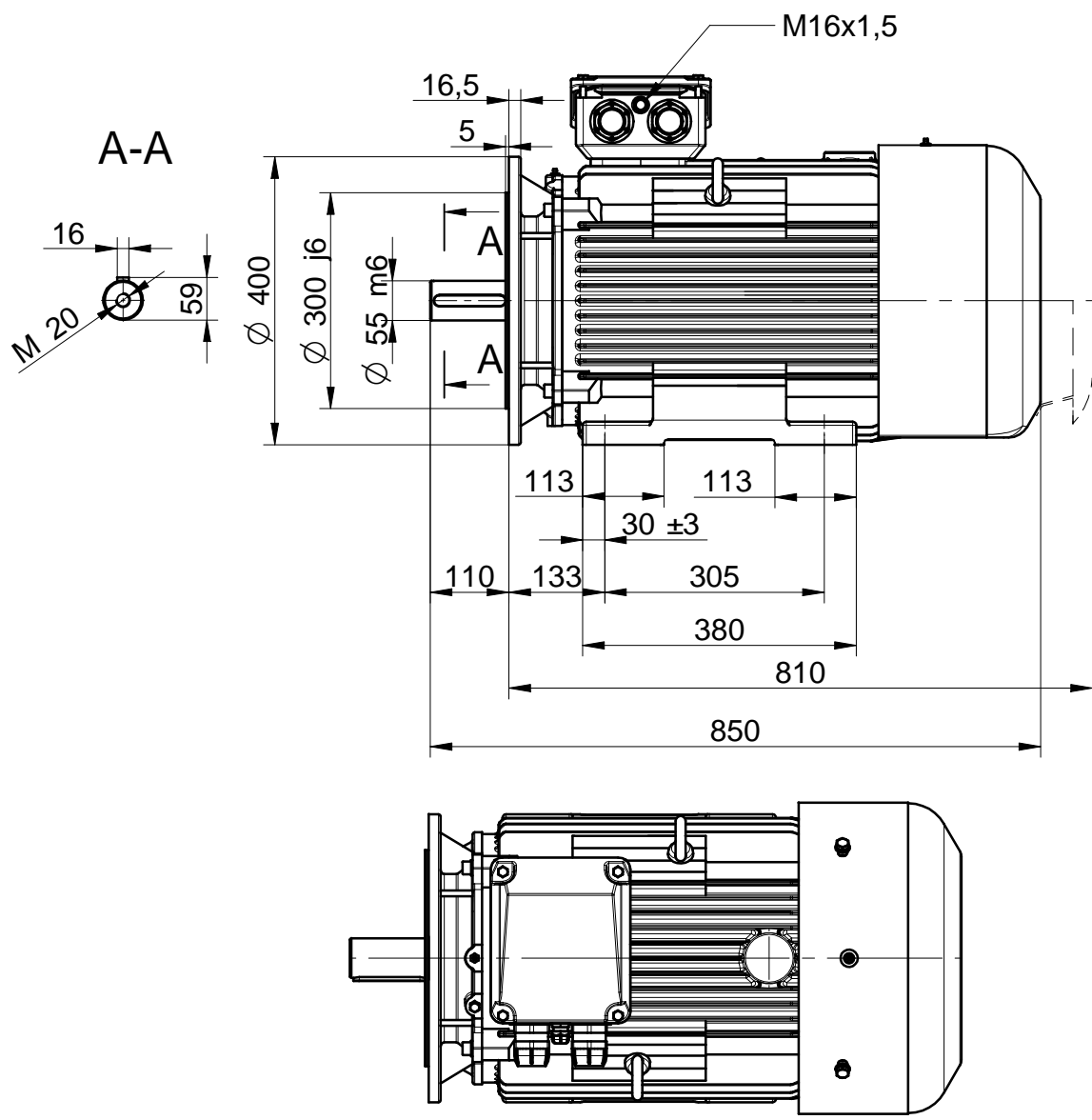
2014-06-30

Drawing no.

**S05,09-510...514-000**

Scale

**1:10**



**CELMA**  
**indukta**

*Cantoni*  
GROUP

Motor type  
**(2,3)SIEL200L2,4,6**

Drawing no.  
**S05,09-505...509-000**

2014-06-30  
Scale  
**1:10**