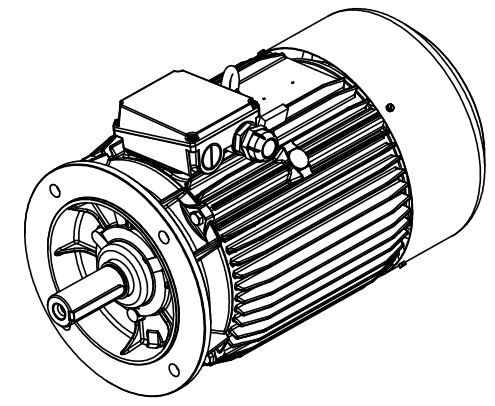
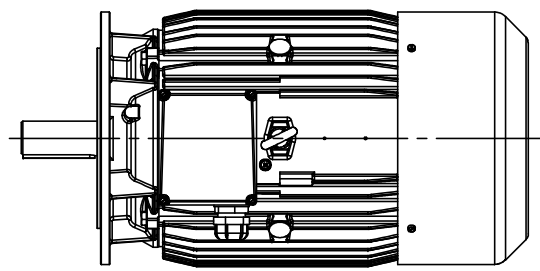
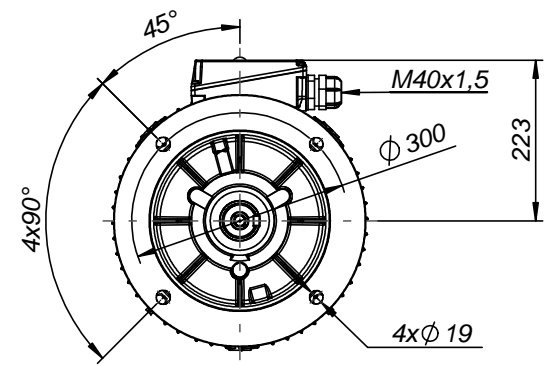
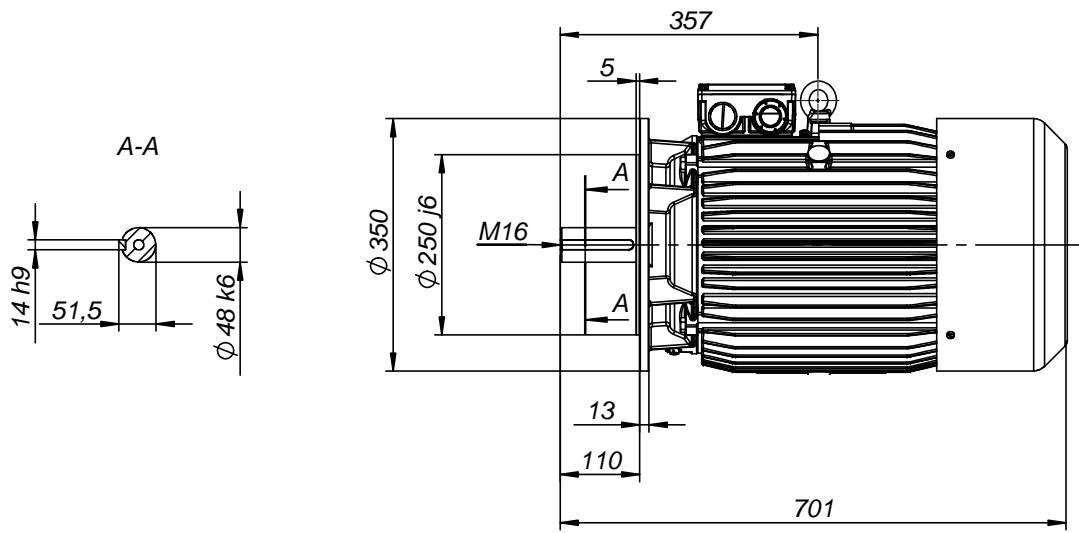


Motor type **Sg 180L-B3**

Drawing no. **S-013-01-2008**

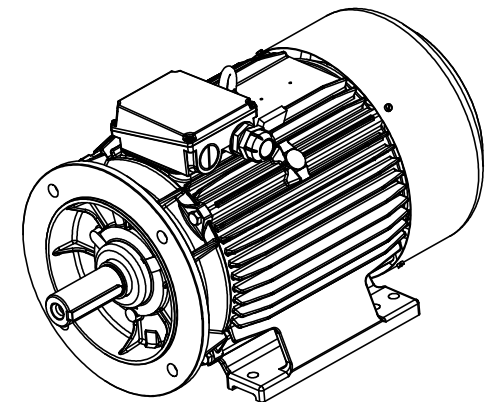
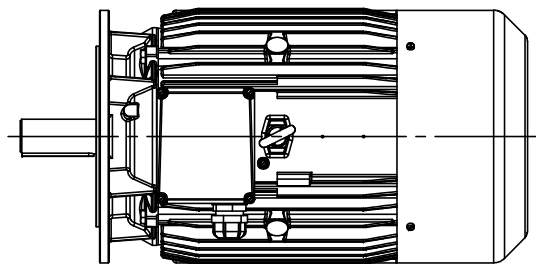
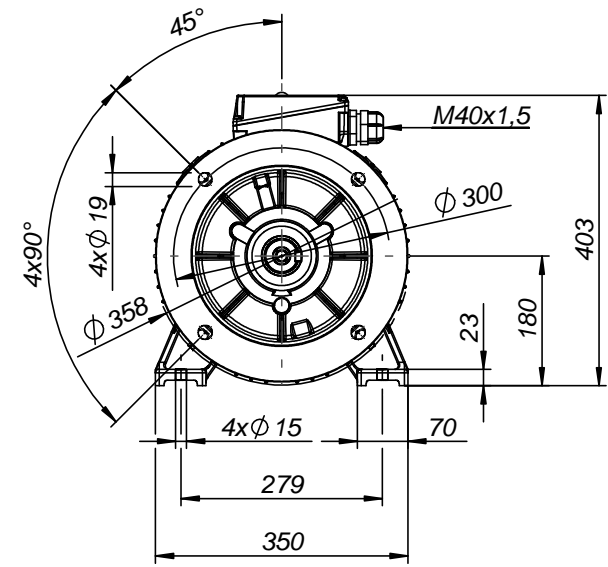
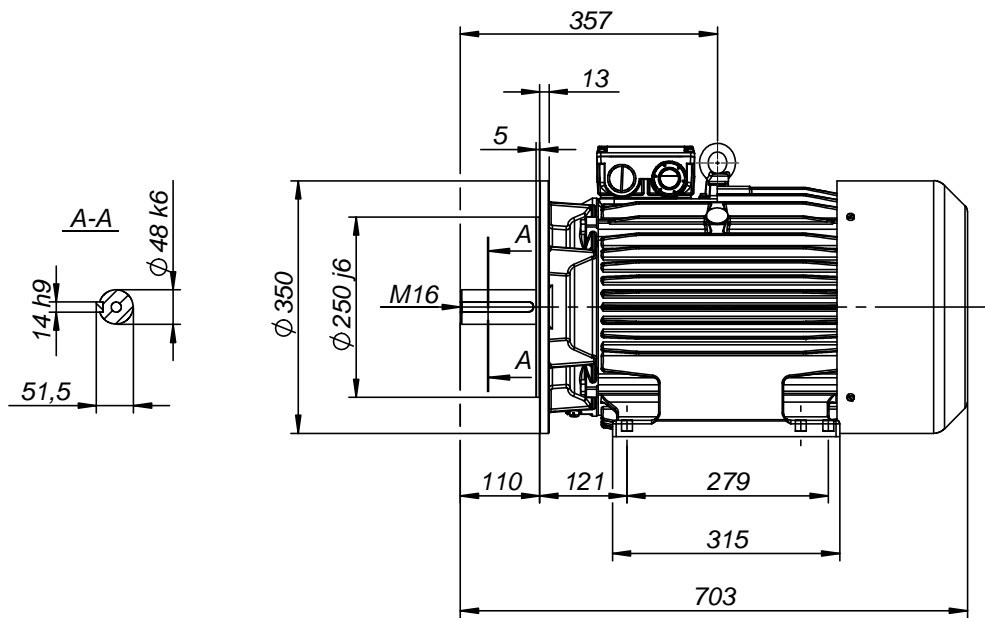
Scale **1:10**



Motor type **SKg 180L-B5**

Drawing no. **S-027-01-2008**

Scale **1:10**



Motor type

**SLg 180L-B35**

Drawing no.

**S-041-01-2008**

Scale

**1:10**