

CELMA
induktiva

Motor type

3SIE90S2,4,6-B3

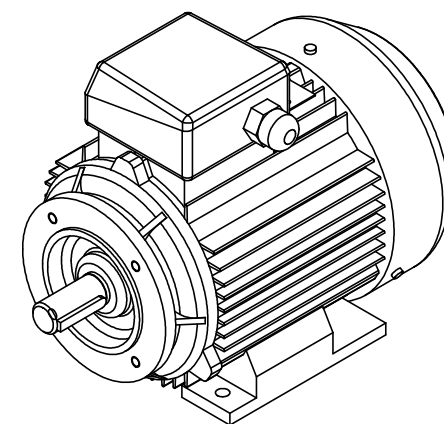
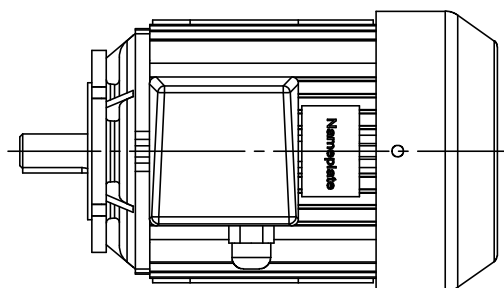
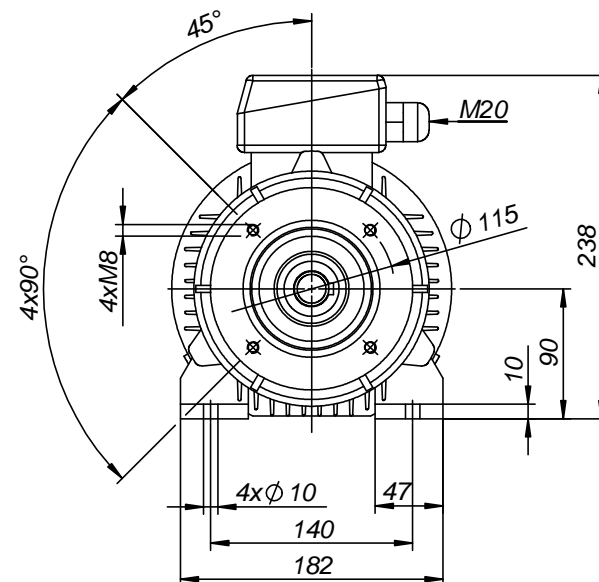
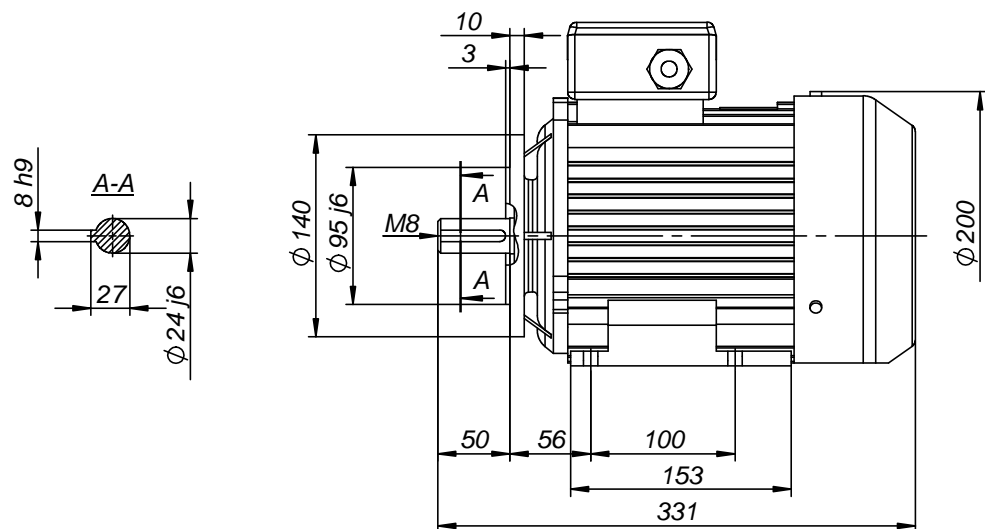
Drawing no.

S-1935-01-2016

Scale

1:5

Cantoni[®]
GROUP



Motor type

3SIEL90S2,4,6-B34-C2

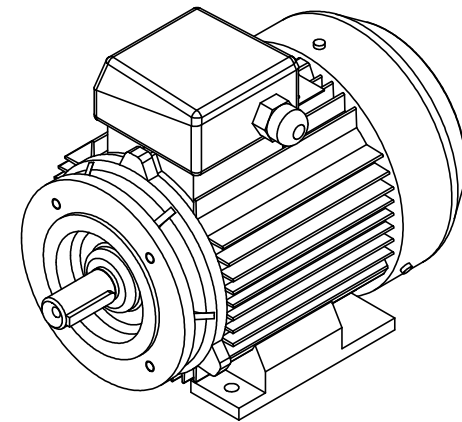
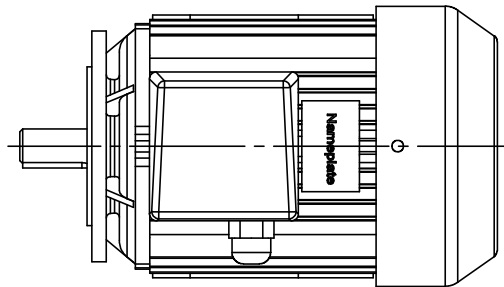
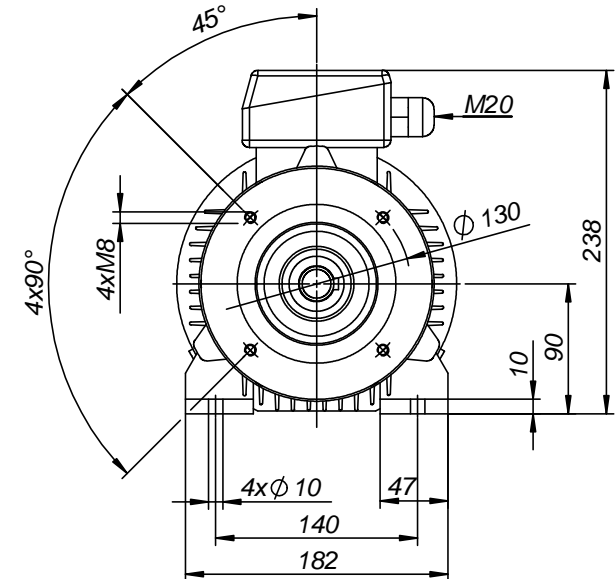
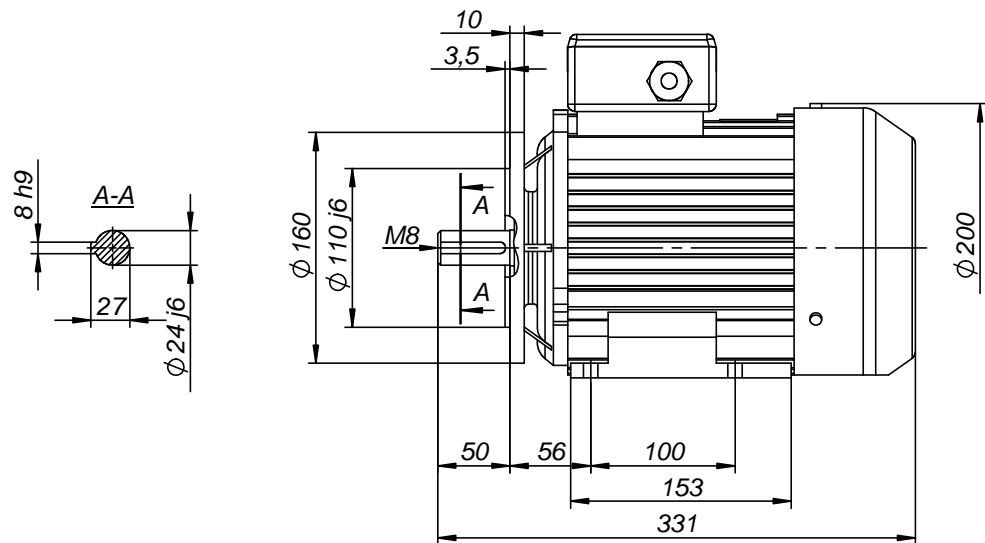


Drawing no.

S-1968-01-2016

Scale

1:5



Motor type

3SIEL90S2,4,6-B34-C1

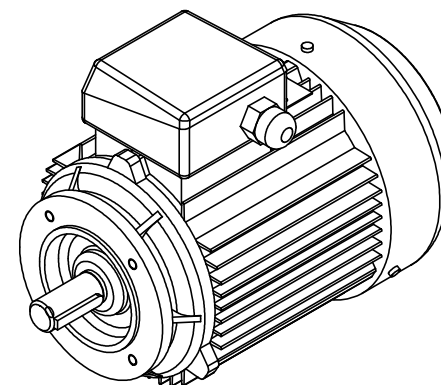
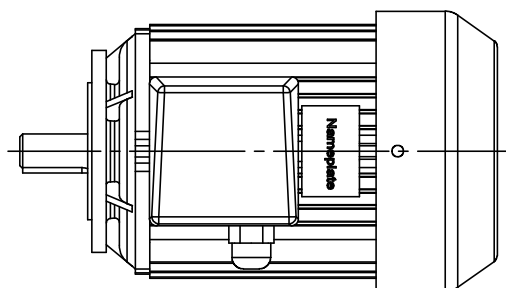
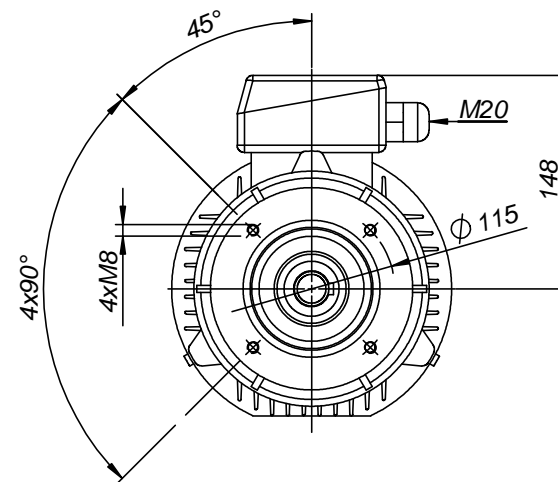
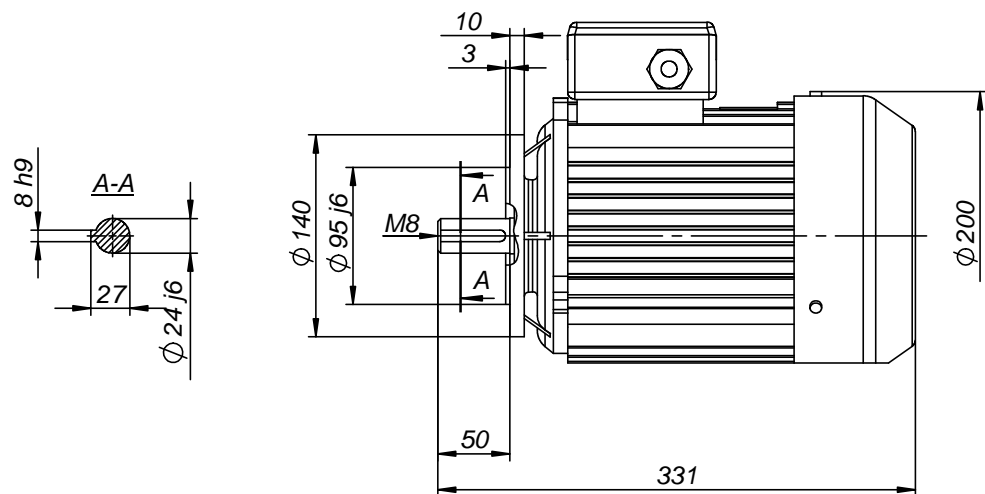


Drawing no.

S-1967-01-2016

Scale

1:5



Motor type

3SIEK90S2,4,6-B14-C2

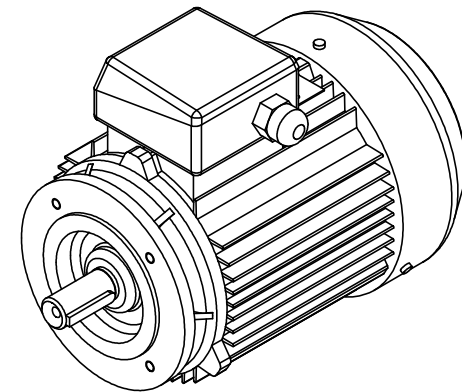
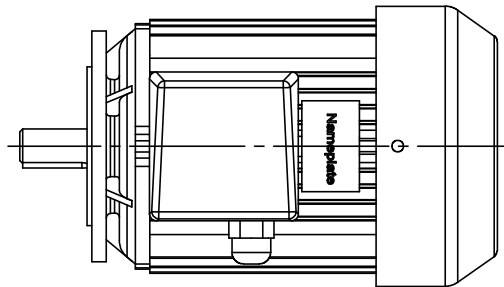
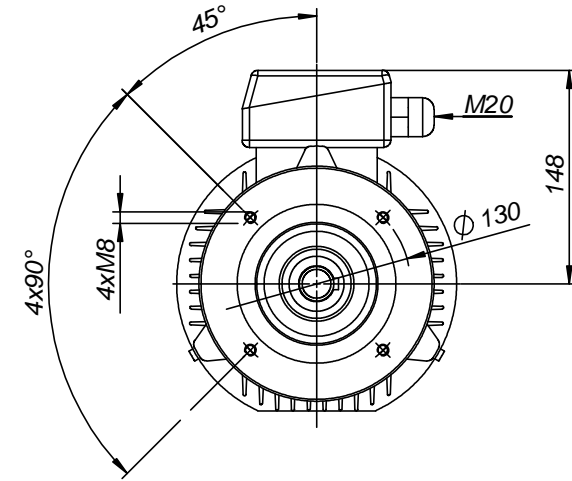
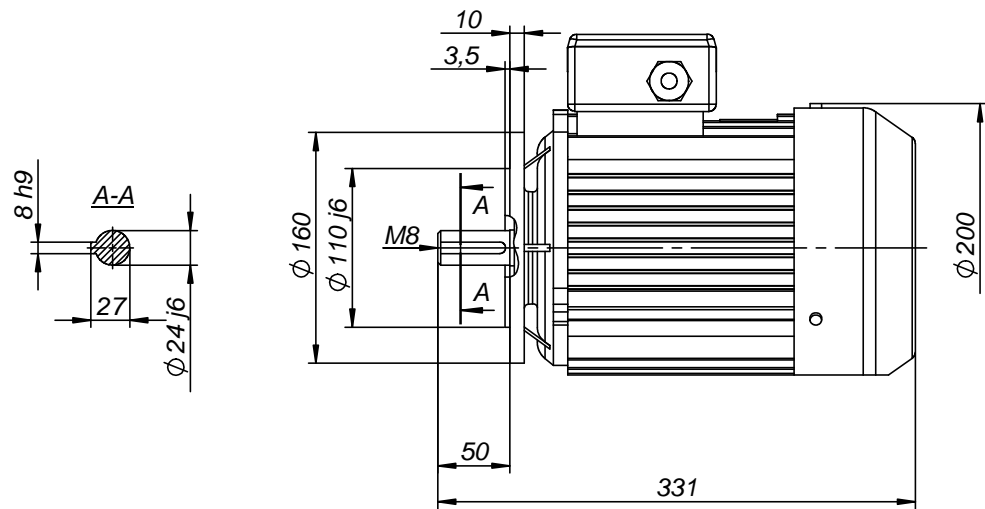
Drawing no.

S-1956-01-2016

Scale

1:5





CELMA
indukta

Motor type

3SIEK90S2,4,6-B14-C1

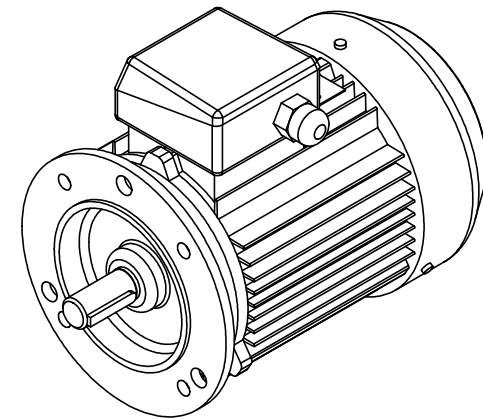
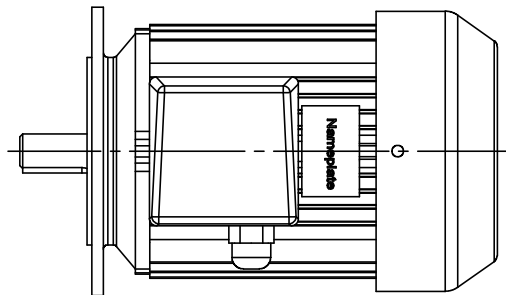
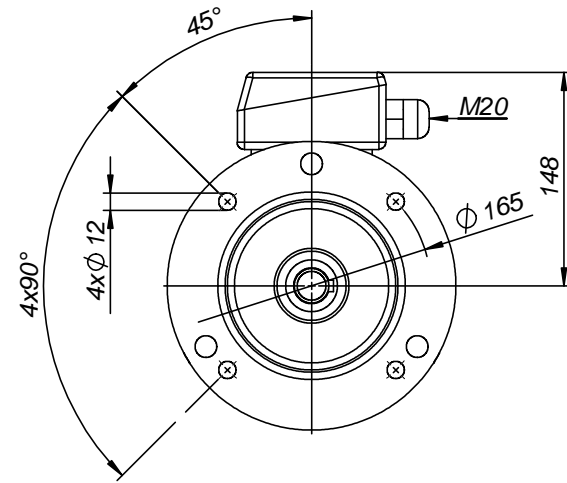
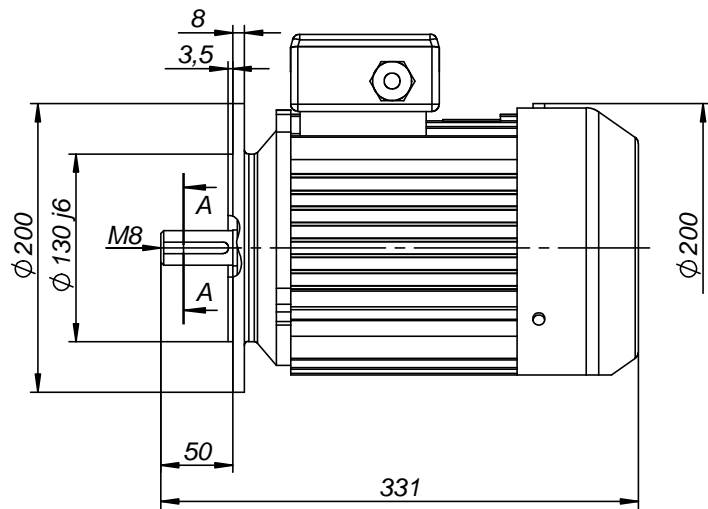
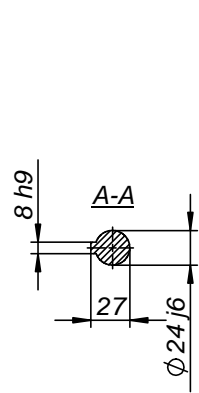
Drawing no.

S-1955-01-2016

Scale

1:5

Cantoni[®]
GROUP



Motor type

3SIEK90S2,4,6,L2-B5

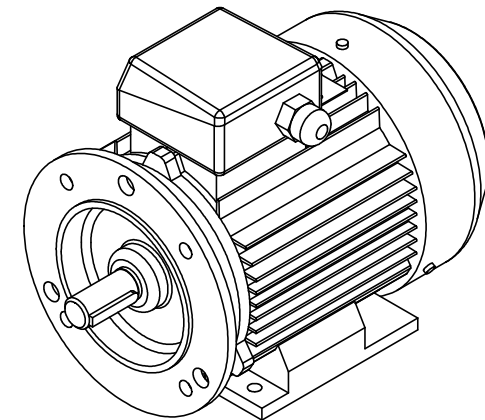
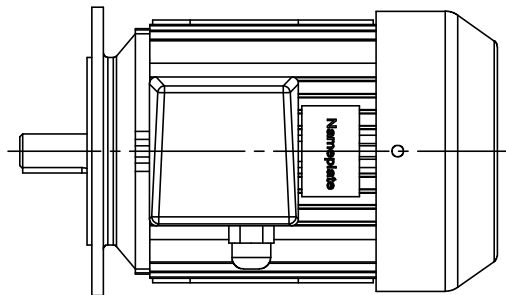
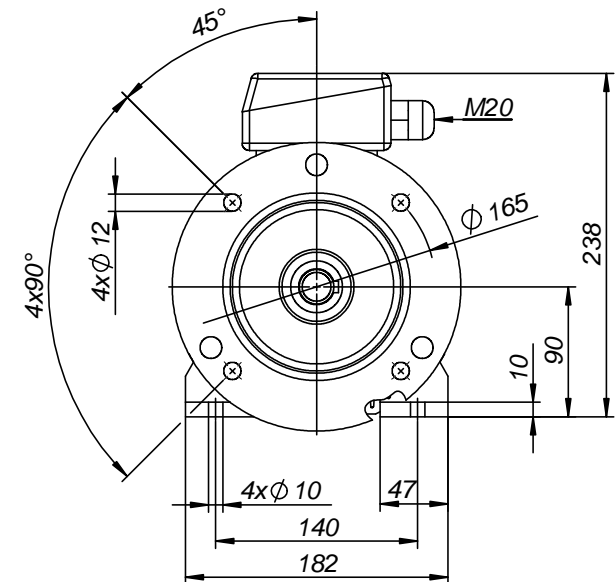
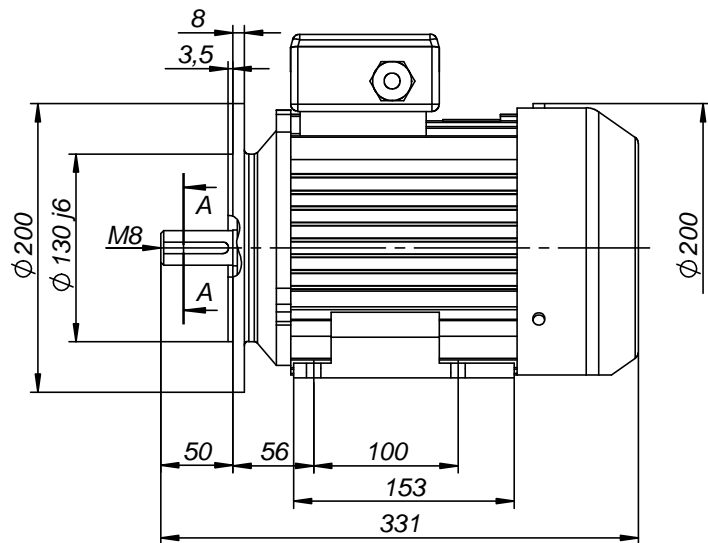
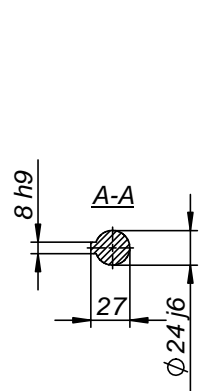
Drawing no.

S-1942-01-2016

Scale

1:5





Motor type

3SIEL90S2,4,6-B35

Drawing no.

S-1948-01-2016

Scale

1:5

