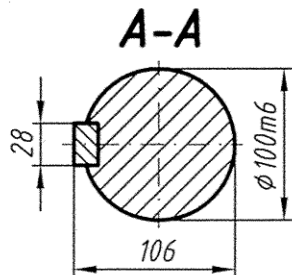
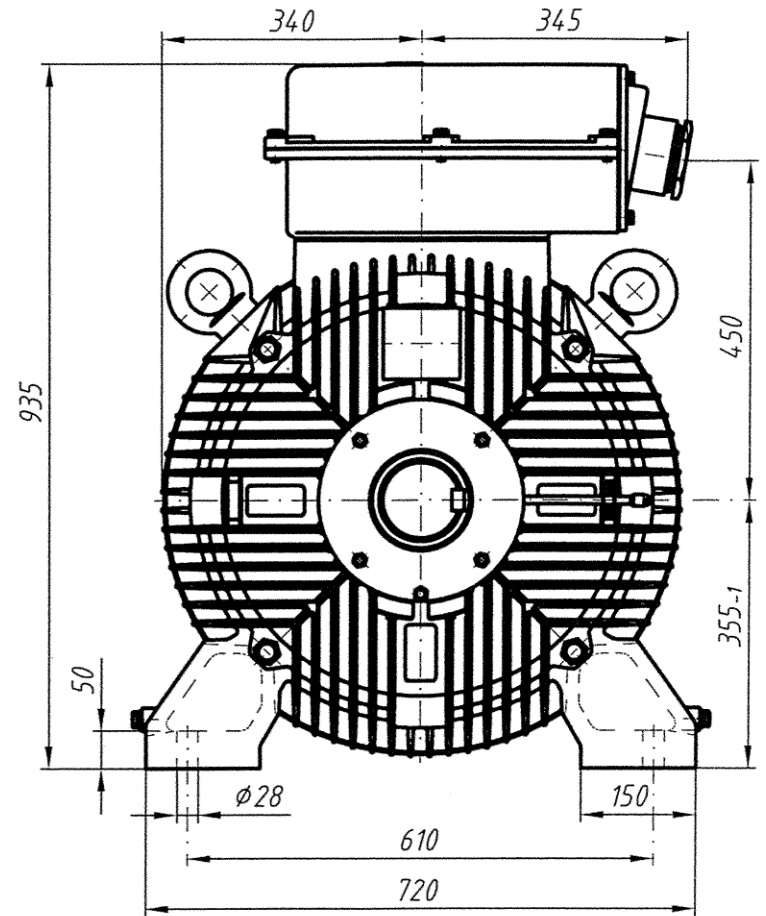
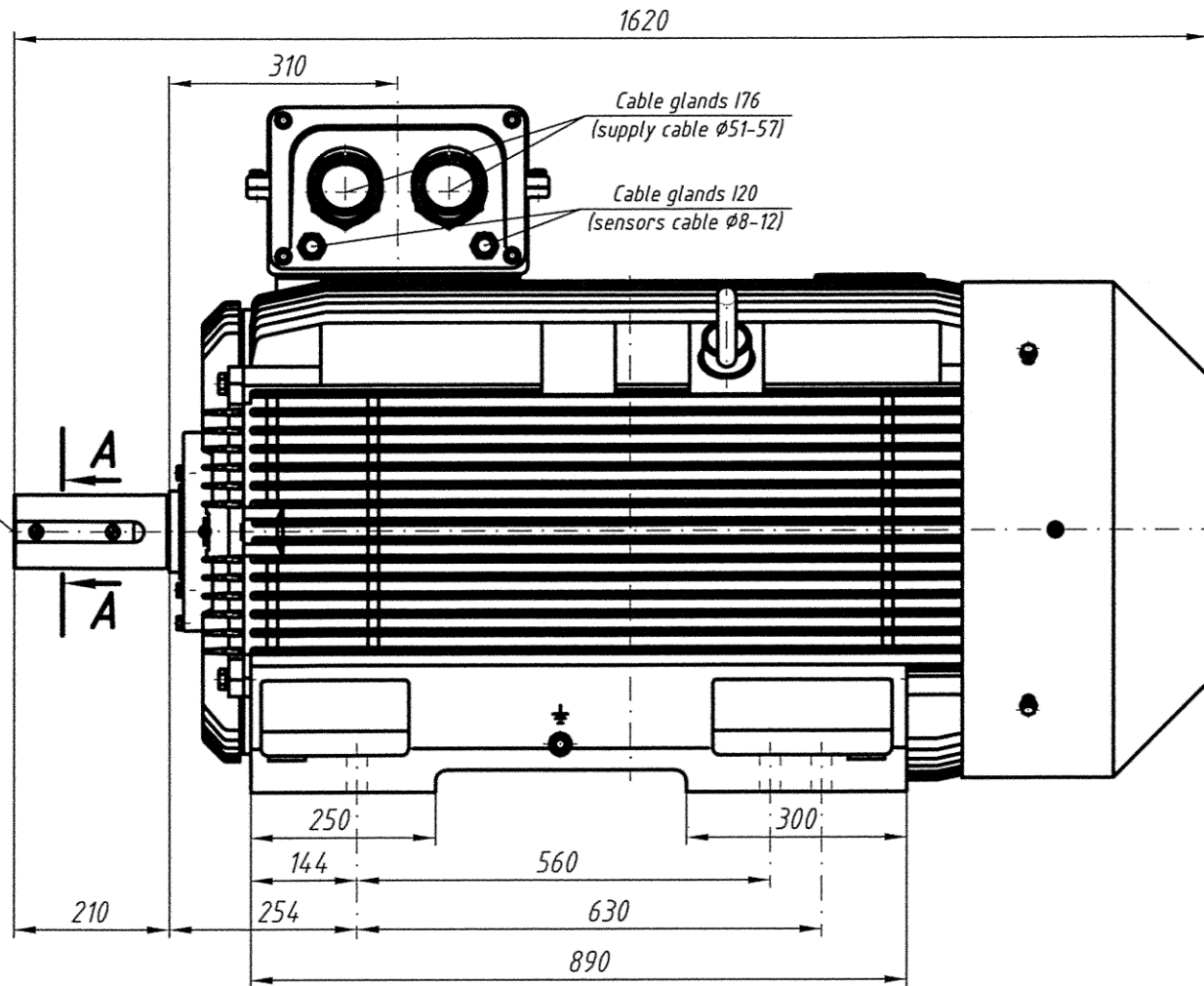


centre hole M24 acc. to ISO/R 775.



Dimensional drawing

2SIE355ML 4-6poles

RZ-445266Aan