

Motor type

**3SIE112M2A,M4-B3**

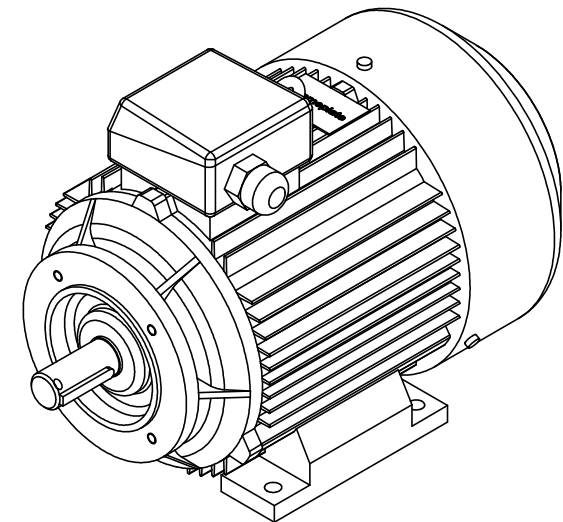
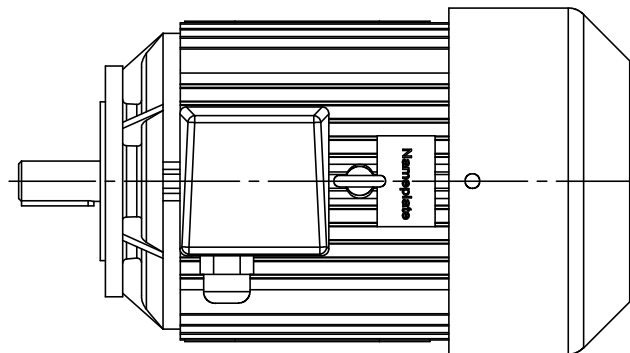
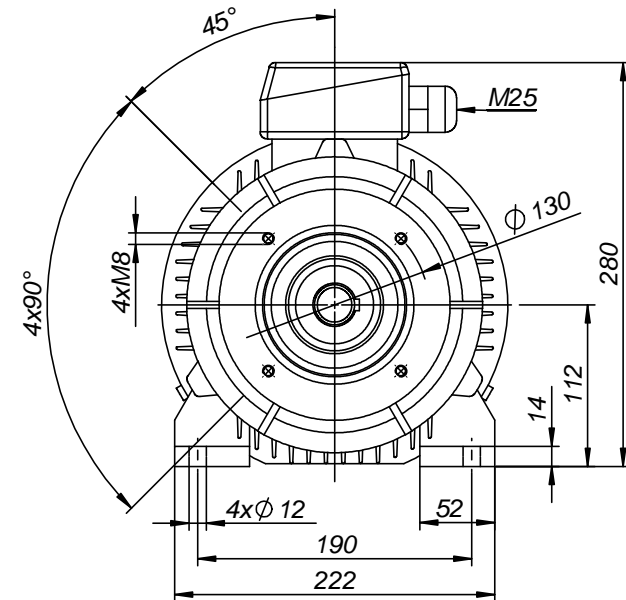
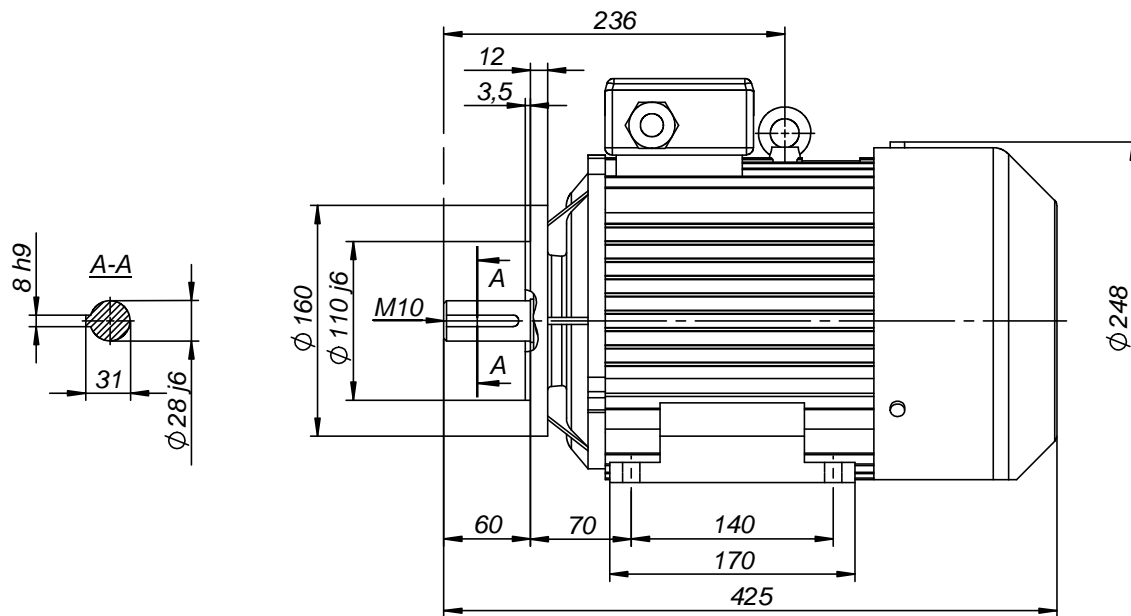


Drawing no.

**S-1941-01-2016**

Scale

**1:5**



Motor type

**3SIEL112M2A,M4,M6A-B34-C2**

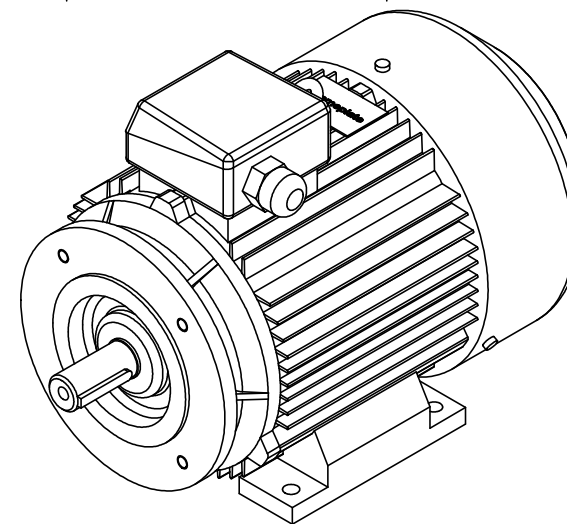
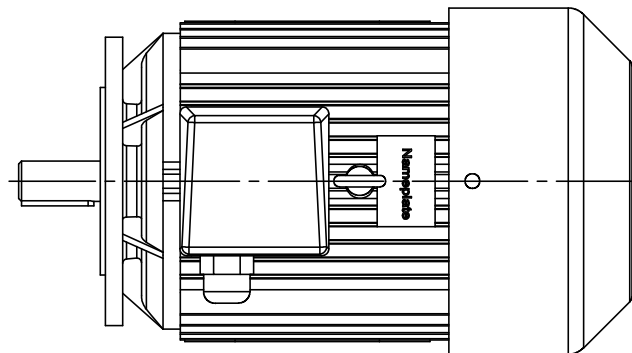
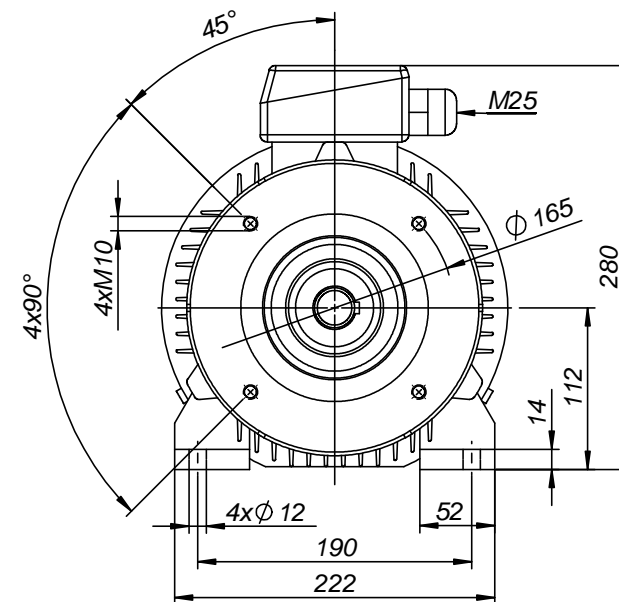
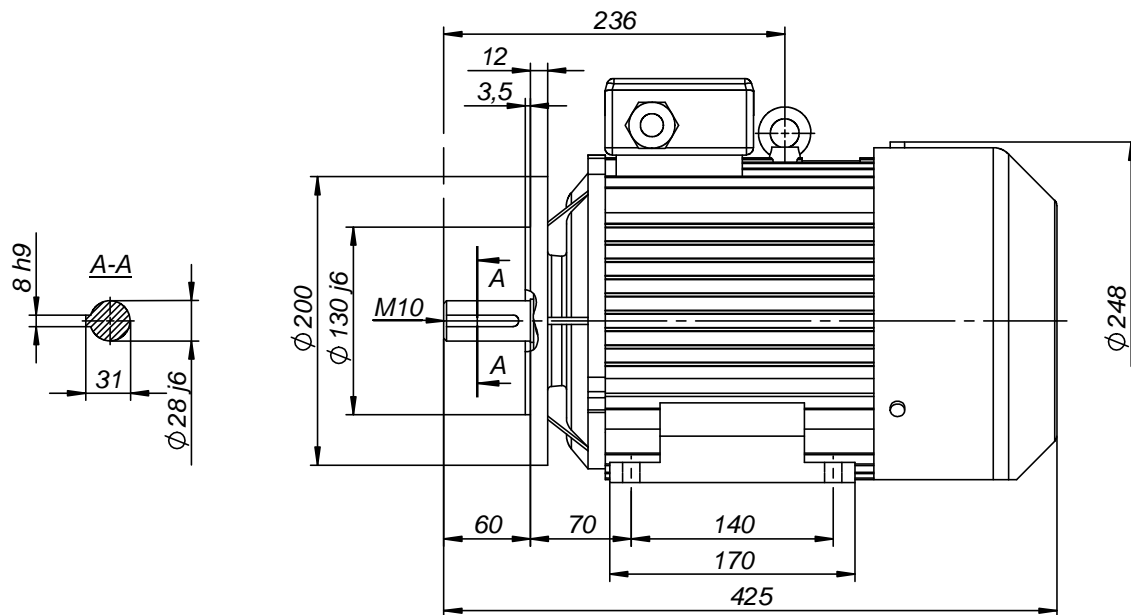
Drawing no.

**S-1980-01-2016**

Scale

**1:5**





Motor type

**3SIEL112M2A,M4-B34-C1**

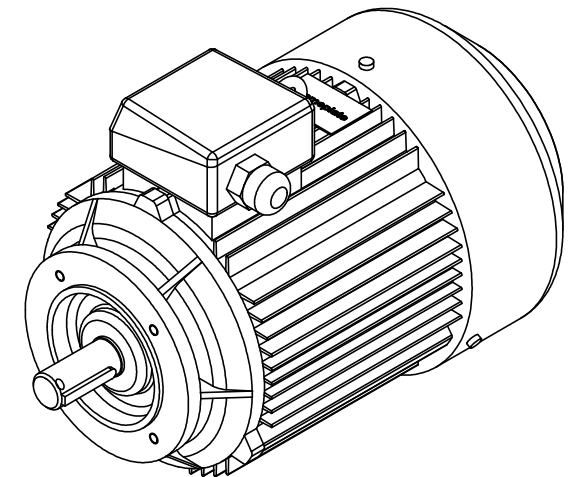
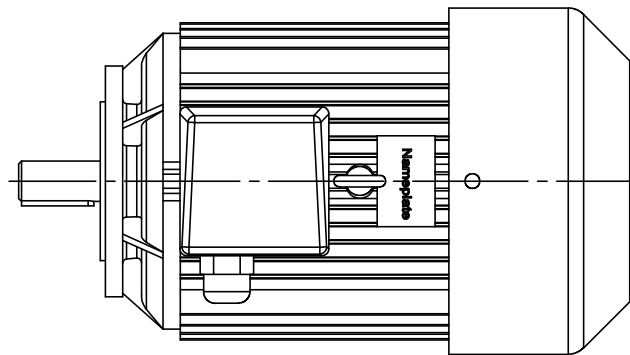
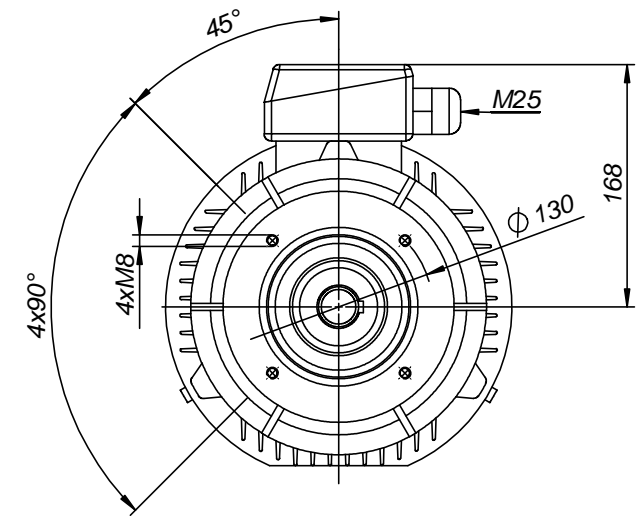
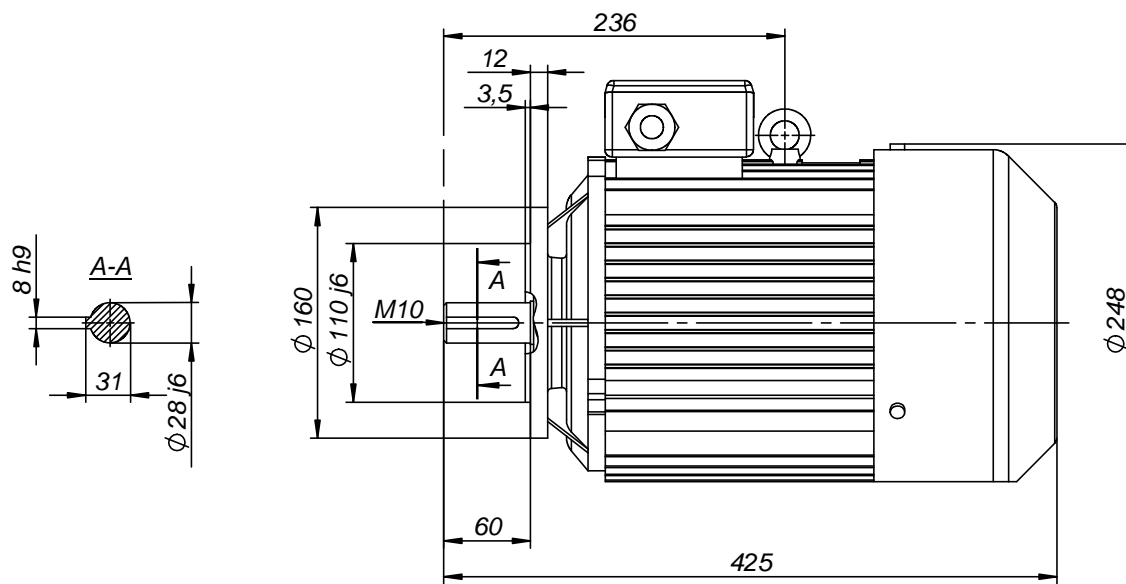
Drawing no.

**S-1979-01-2016**

Scale

**1:5**





Motor type

**3SIEK112M2A,M4-B14-C2**

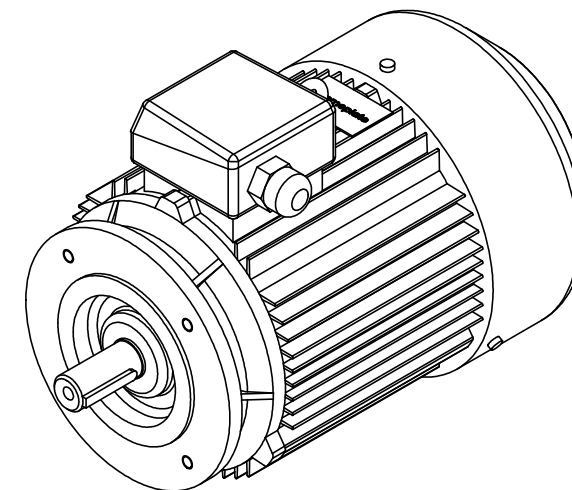
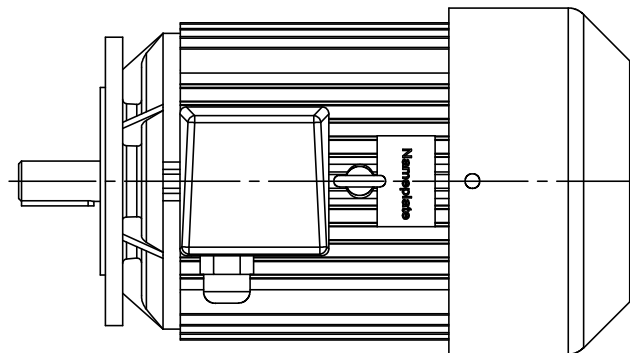
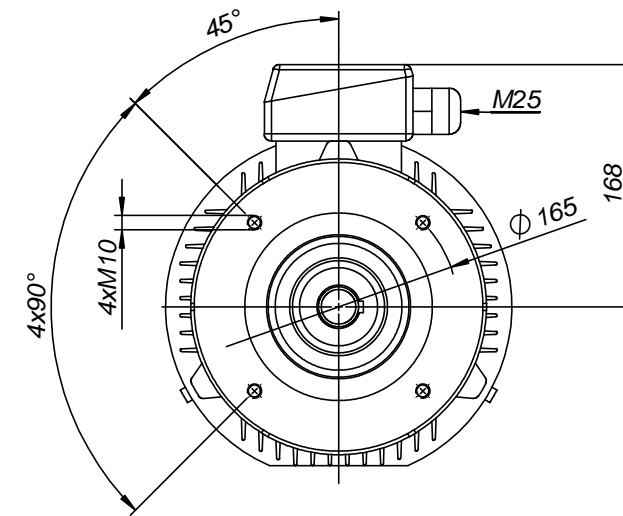
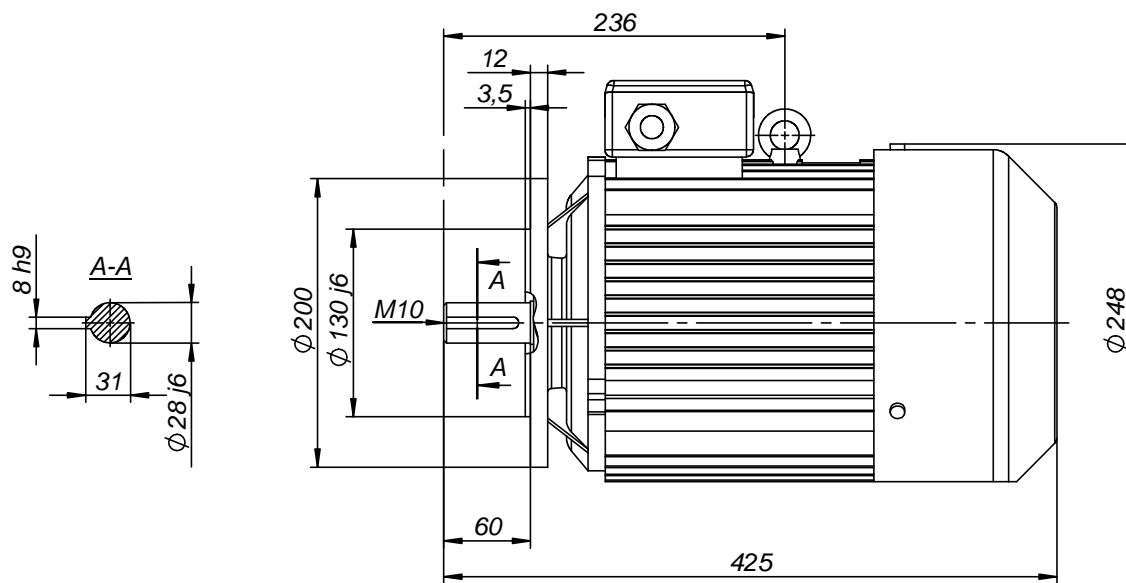
Drawing no.

**S-1966-01-2016**

Scale

**1:5**





**CELMA**  
indukta

Motor type

**3SIEK112M2A,M4-B14-C1**

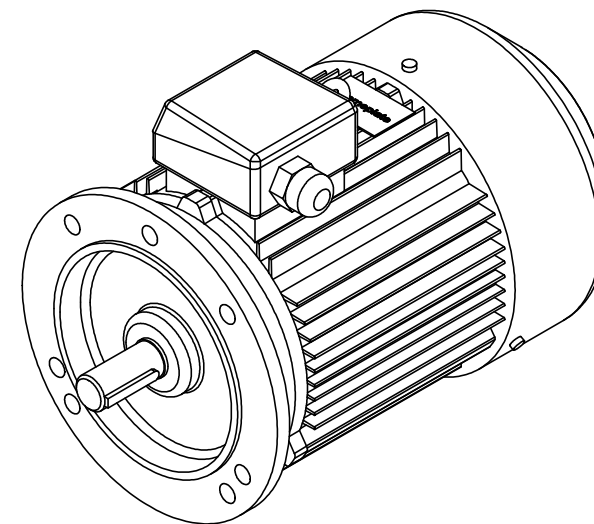
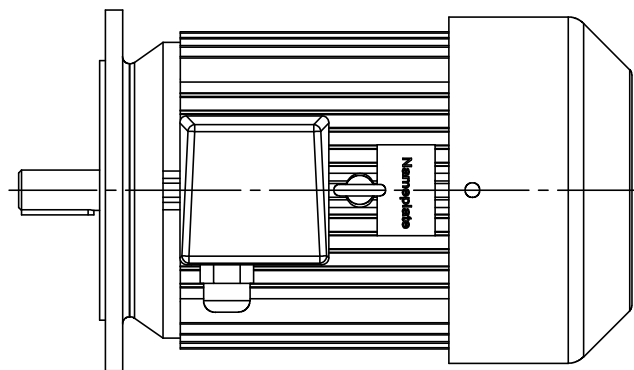
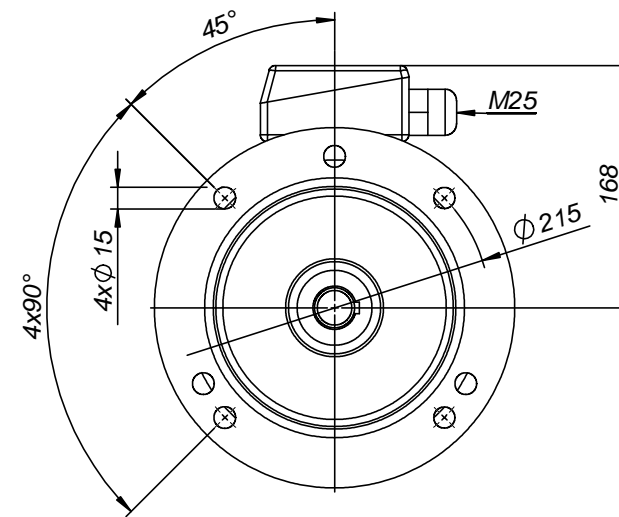
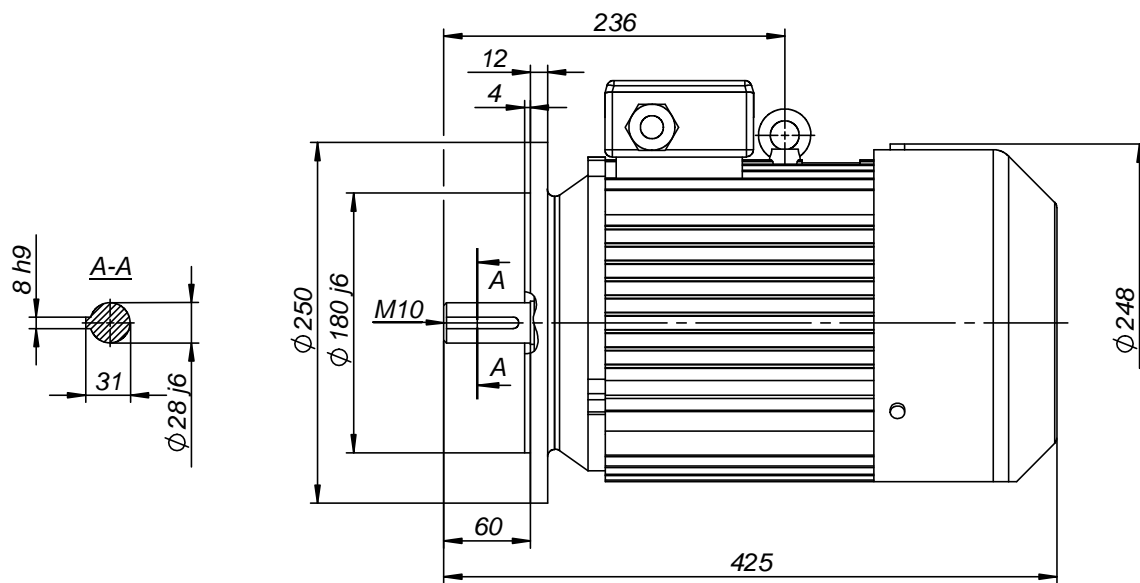
Drawing no.

**S-1965-01-2016**

Scale

**1:5**

**Cantoni**<sup>®</sup>  
GROUP



Motor type

**3SIEK112M2A,M4-B5**

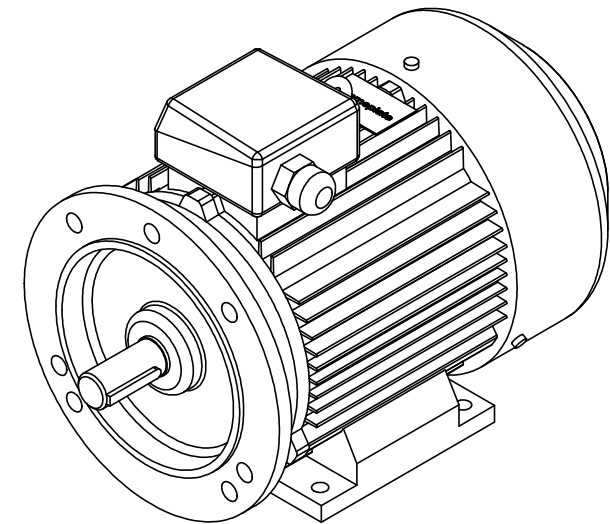
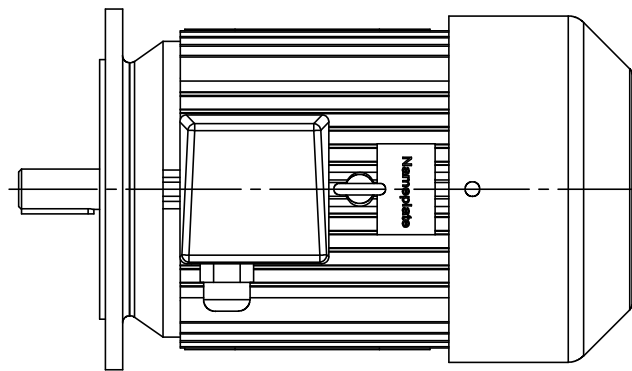
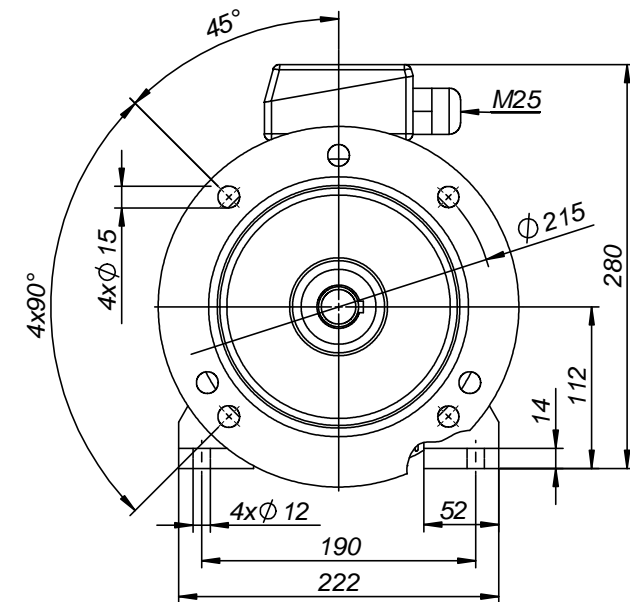
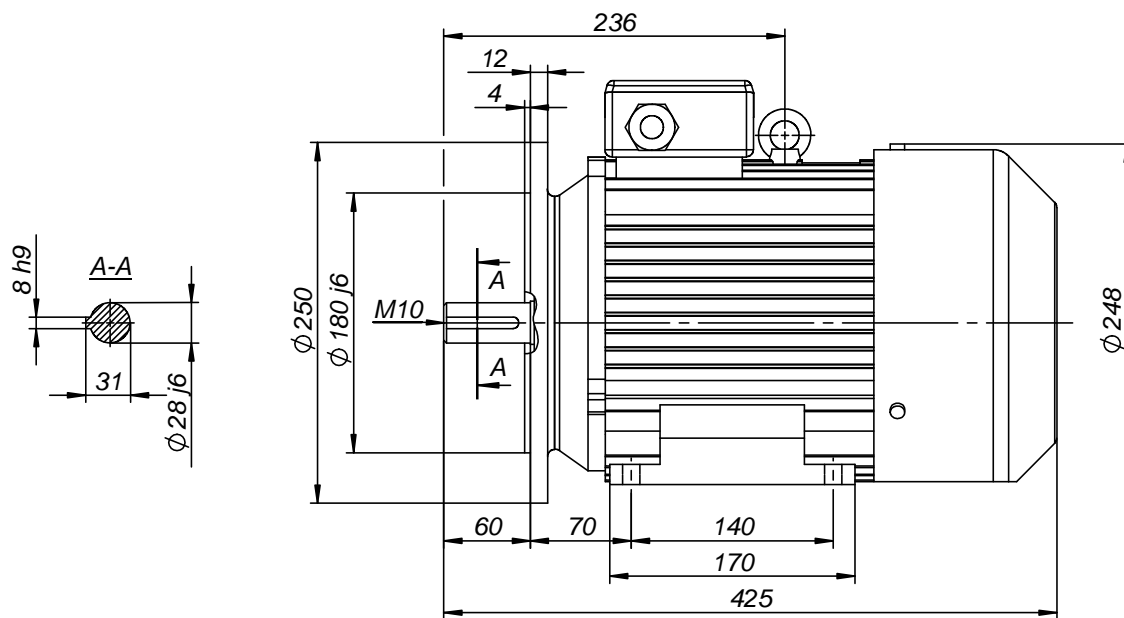
Drawing no.

**S-1947-01-2016**

Scale

**1:5**





Motor type

**3SIEL112M2A,M4-B35**

Drawing no.

**S-1954-01-2016**

Scale

**1:5**

