

CELMA
indukta

Motor type

3SIE112M2,6,8-B3

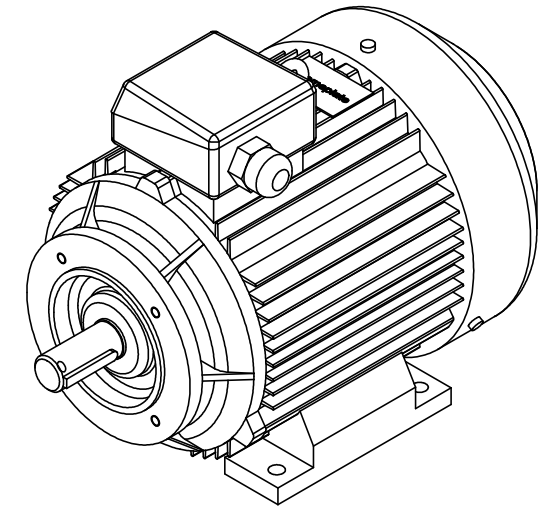
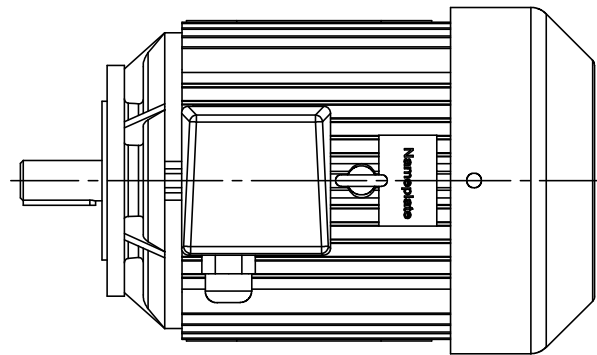
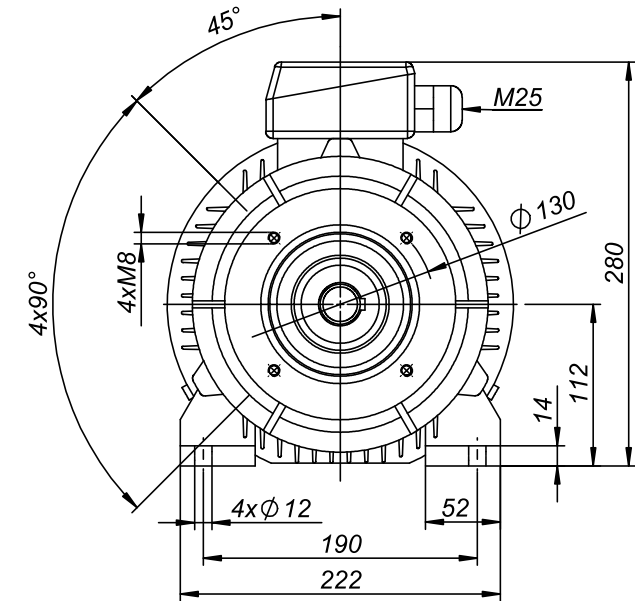
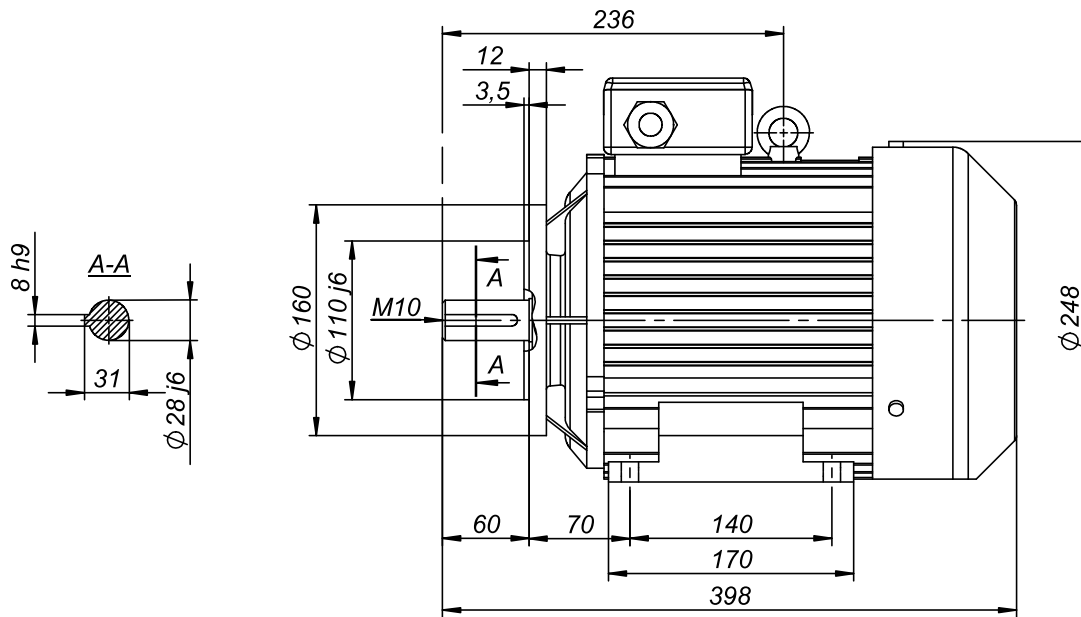
Cantoni[®]
GROUP

Drawing no.

S-1940-02-2016

Scale

1:5



CELMA
indukta

Motor type

3SIEL112M2,6,8-B34-C2

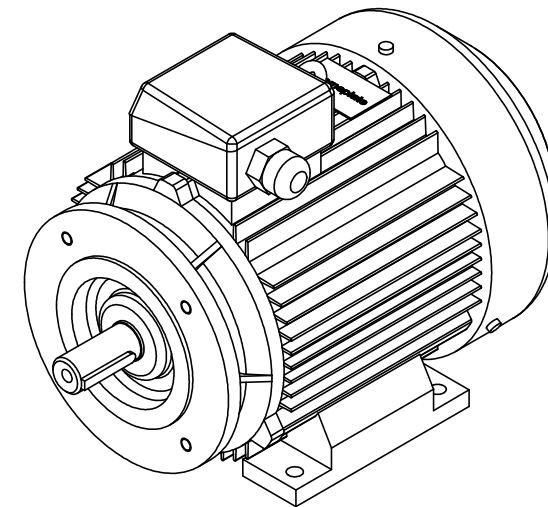
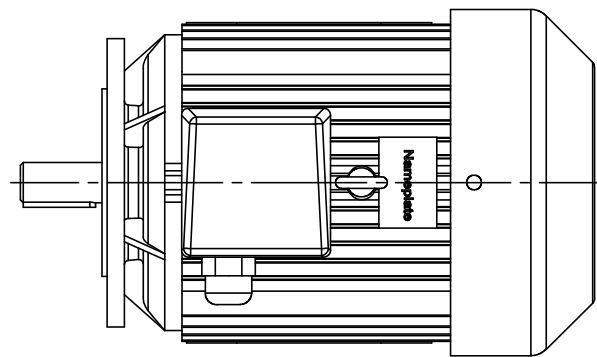
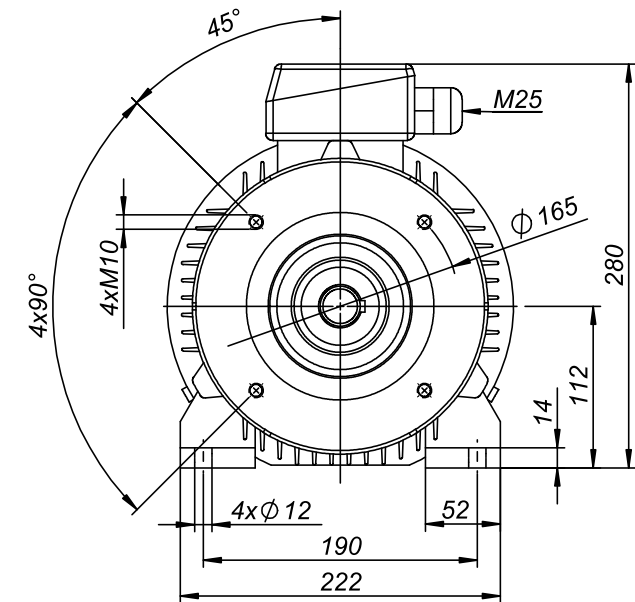
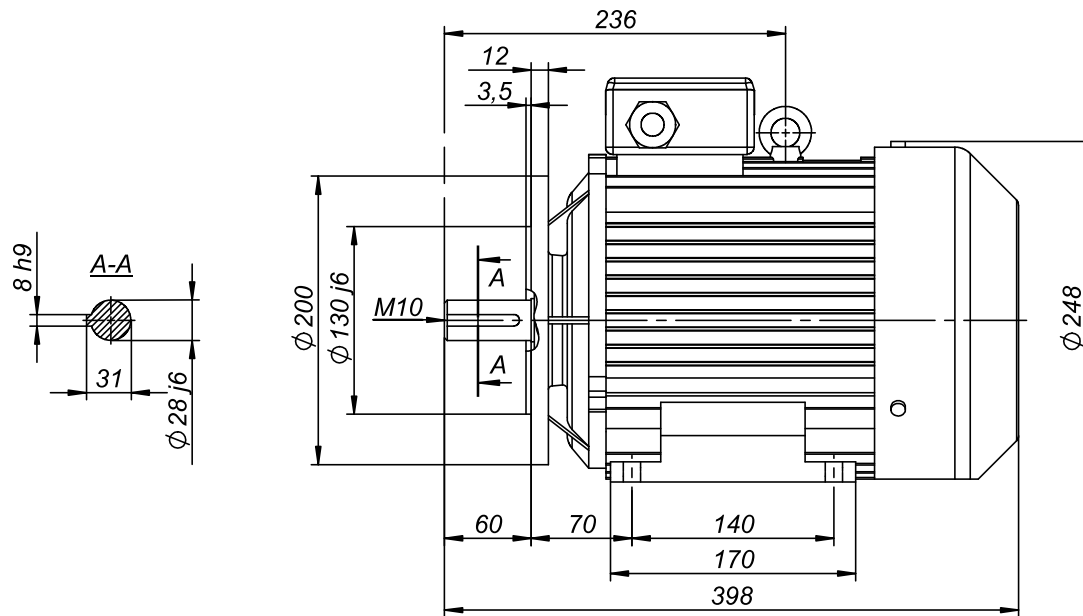
Drawing no.

S-1978-02-2016

Scale

1:5

Cantoni[®]
GROUP



CELMA
indukta

Motor type

3SIEL112M2,6,8-B34-C1

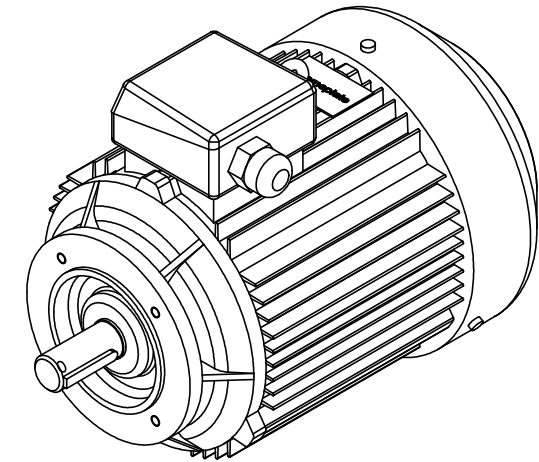
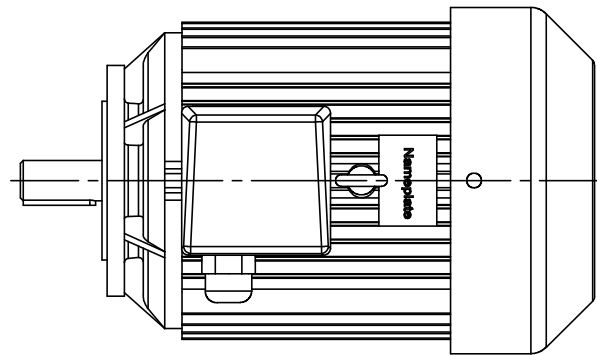
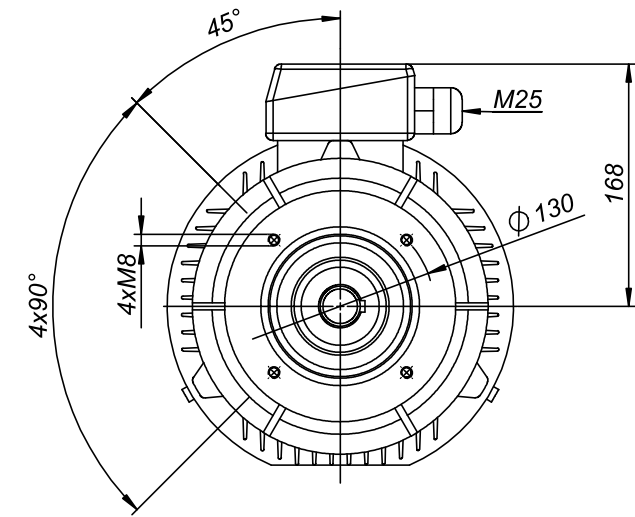
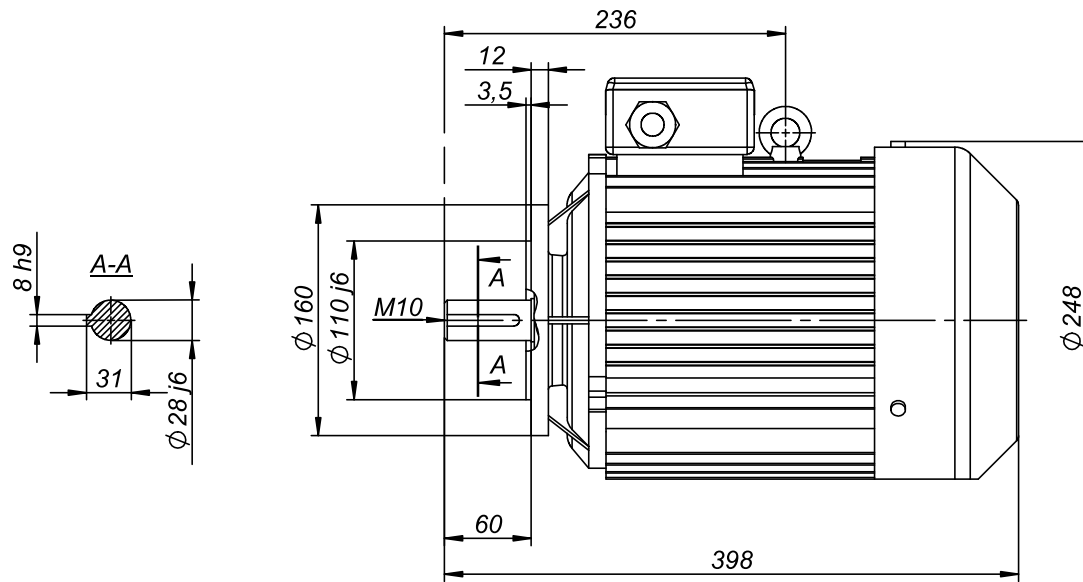
Drawing no.

S-1977-02-2016

Scale

1:5

Cantoni[®]
GROUP



CELMA
indukta

Motor type

3SIEK112M2,6,8-B14-C2

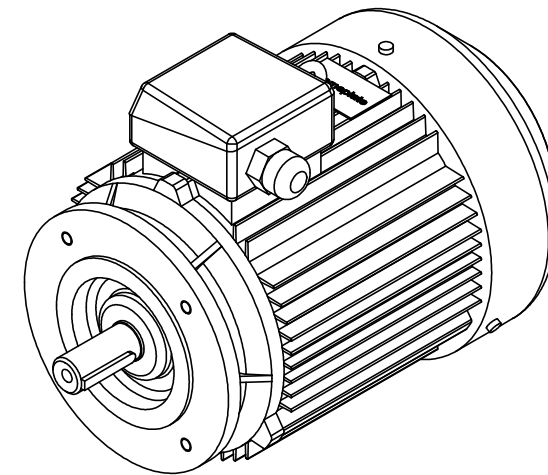
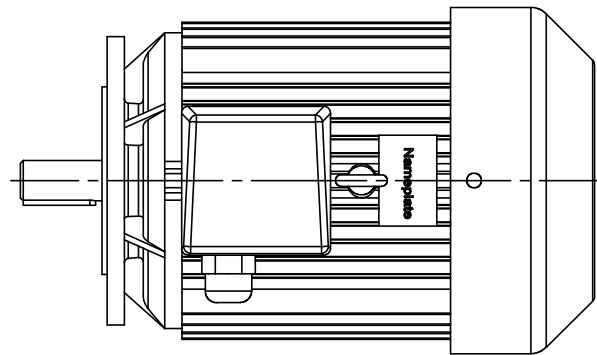
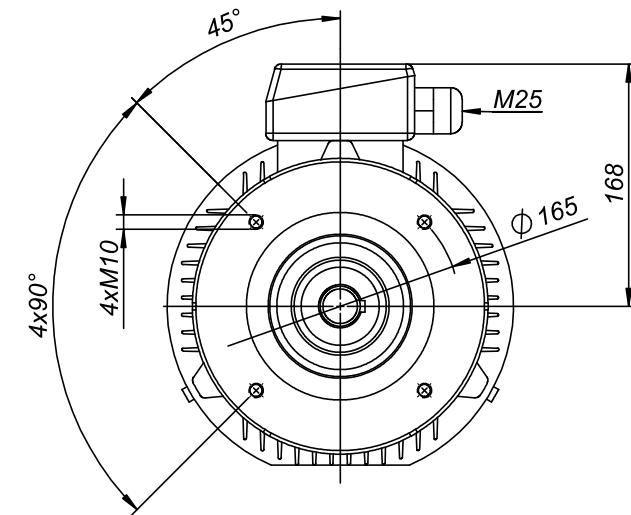
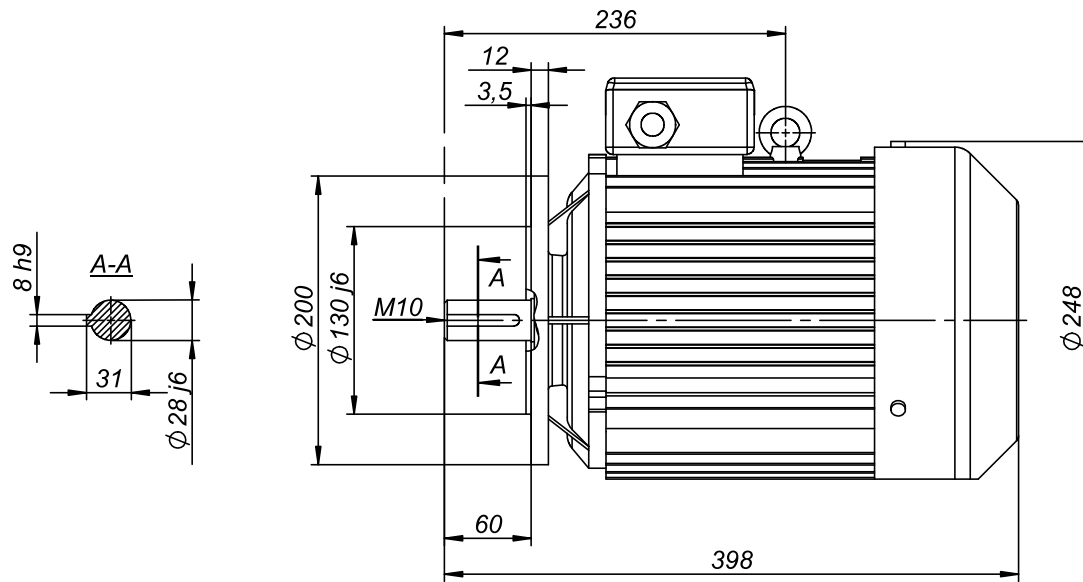
Drawing no.

S-1964-02-2016

Scale

1:5

Cantoni[®]
GROUP



CELMA
indukta

Motor type

3SIEK112M2,6,8-B14-C1

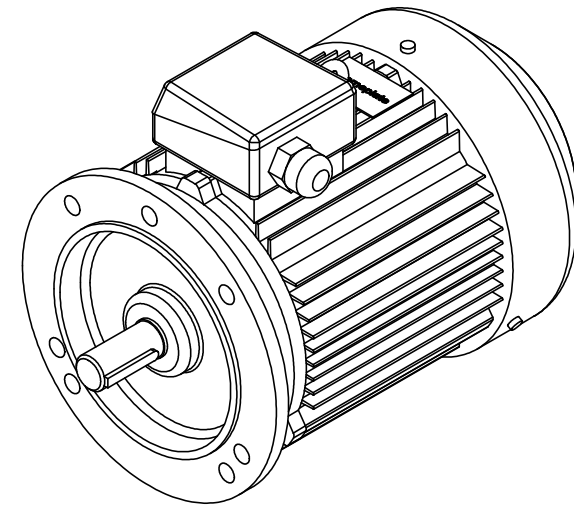
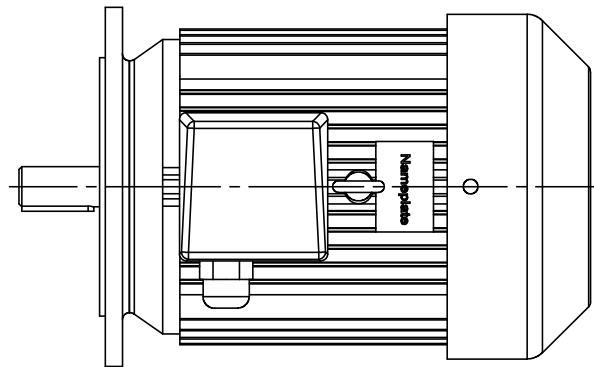
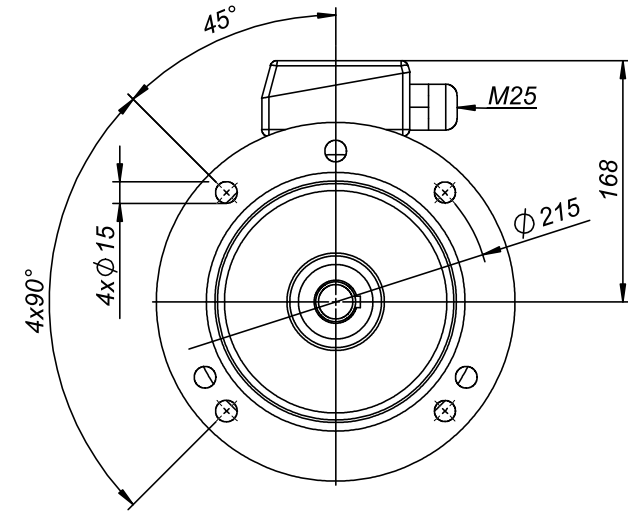
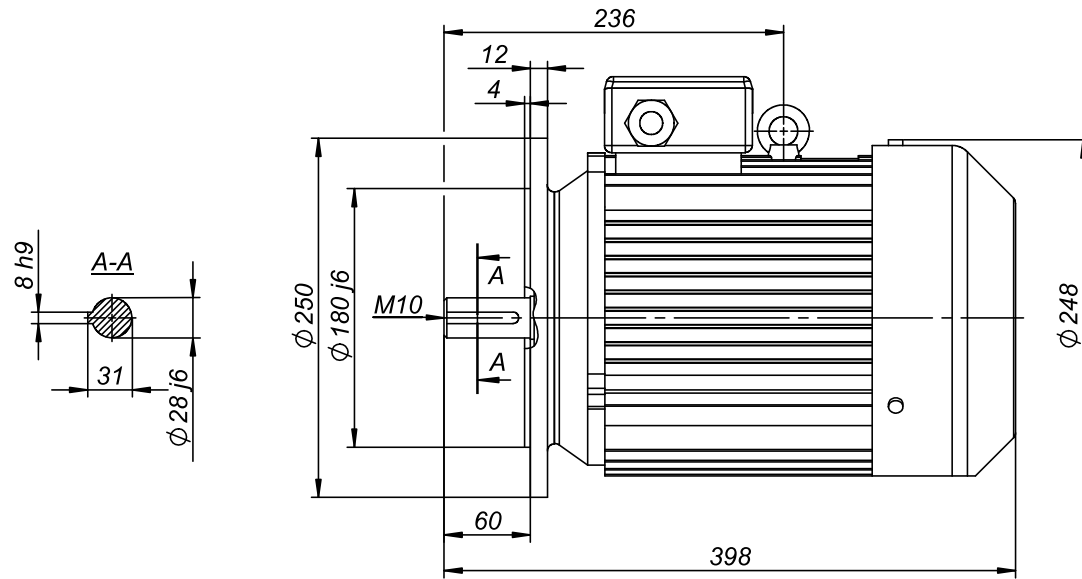
Drawing no.

S-1963-02-2016

Scale

1:5

Cantoni[®]
GROUP



CELMA
indukta

Motor type

3SIEK112M2,6,8-B5

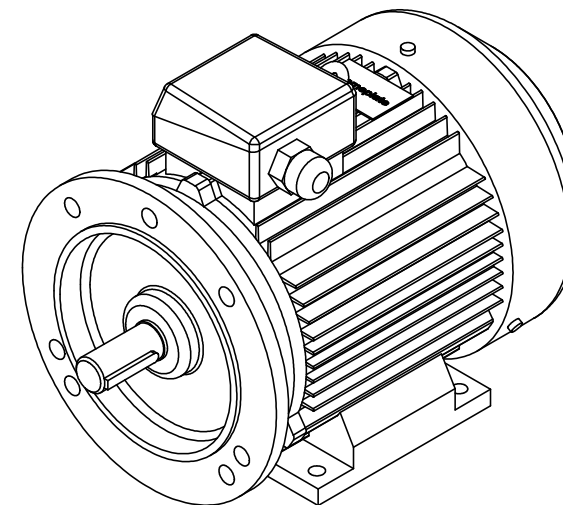
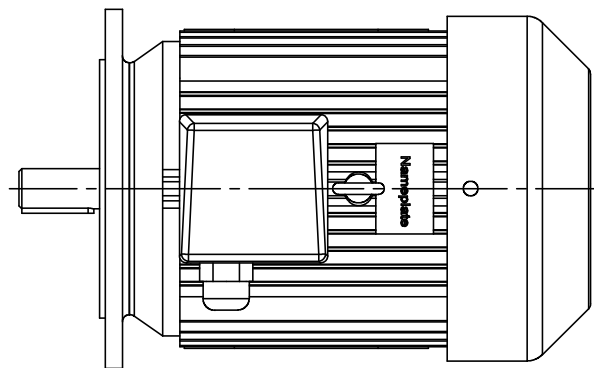
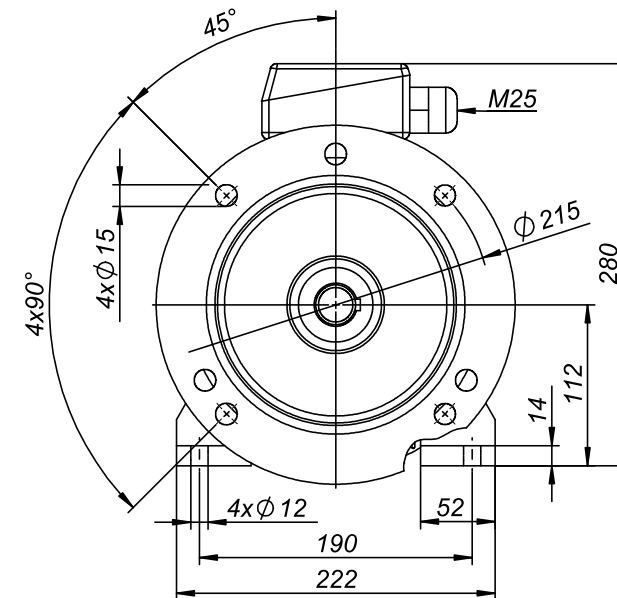
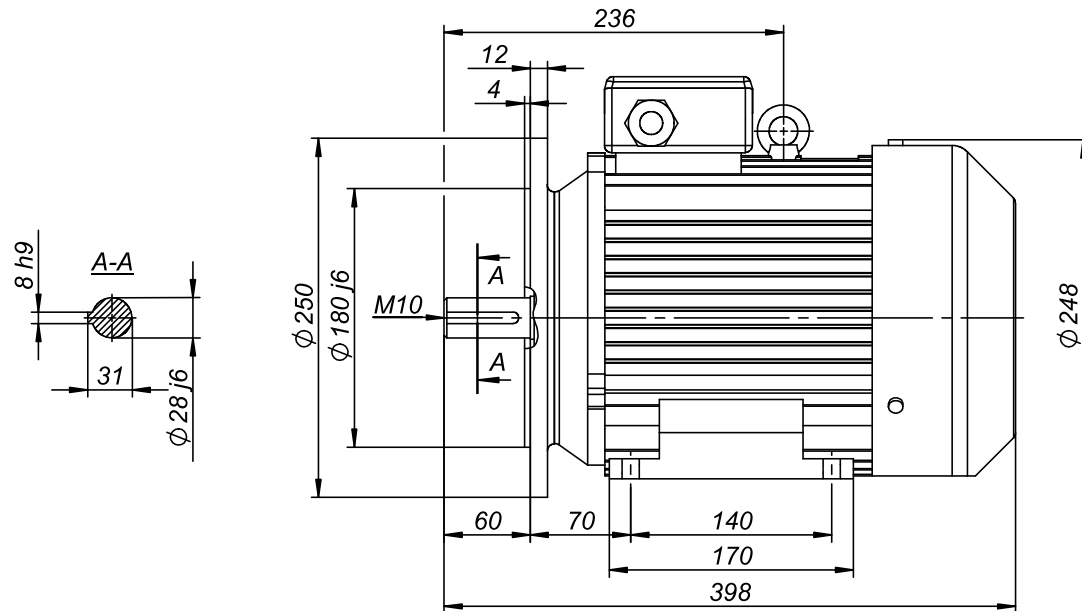
Cantoni
GROUP

Drawing no.

S-1946-02-2016

Scale

1:5



CELMA
indukta

Motor type

3SIEL112M2,6,8-B35

Cantoni
GROUP

Drawing no.

S-1953-02-2016

Scale

1:5