

Motor type

3SIE132M-B3

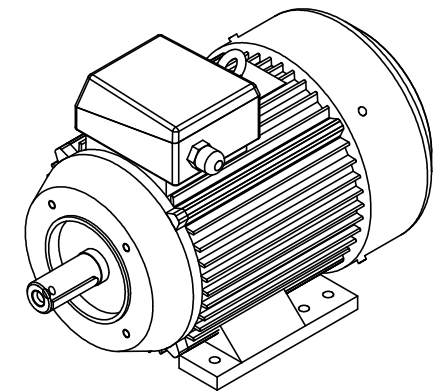
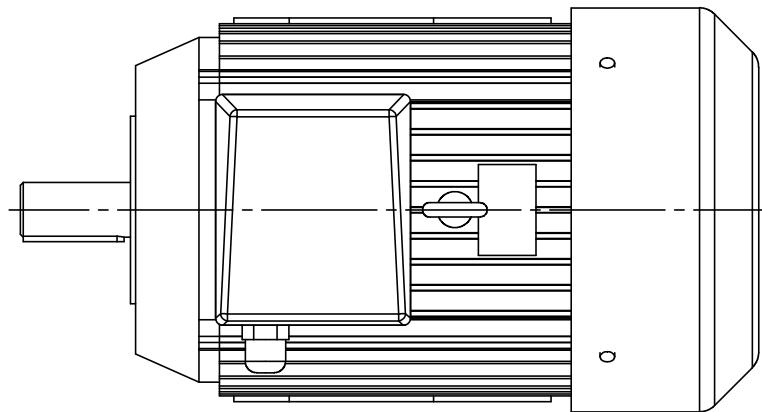
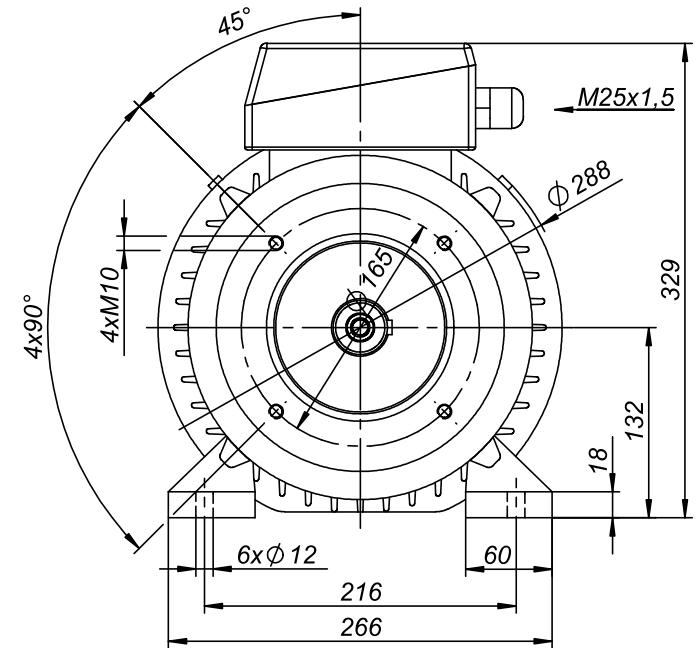
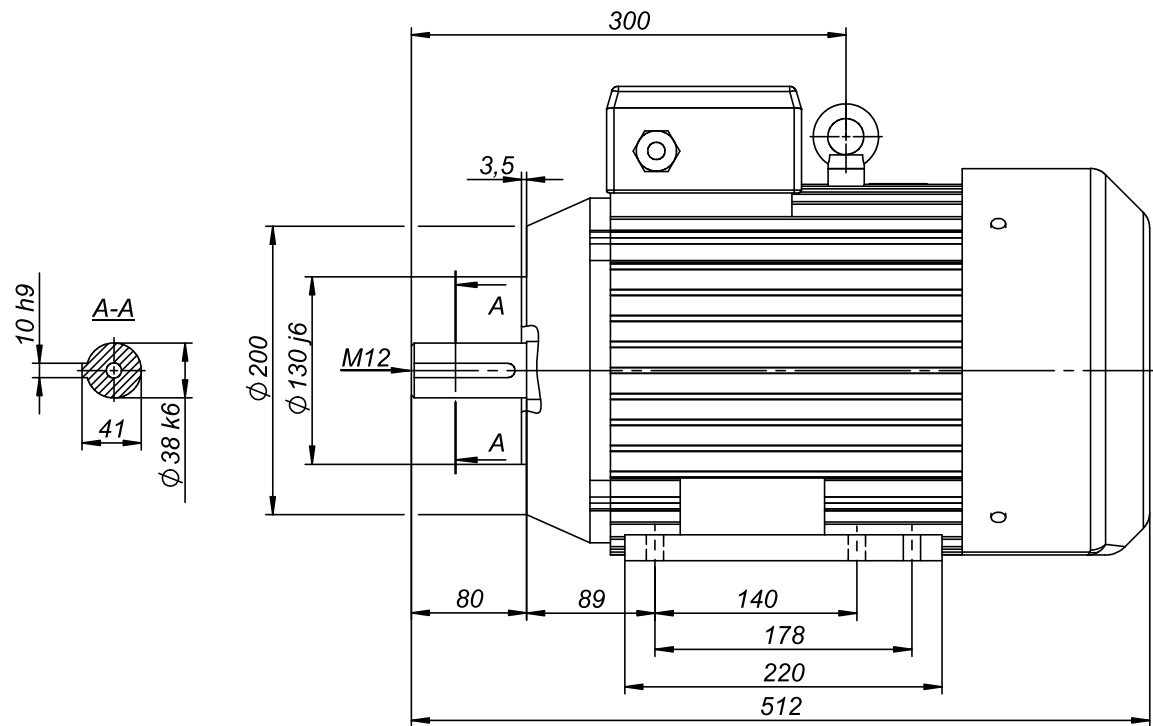
Drawing no.

S-1434-01-2014

Scale

1:5





CELMA
indukta

Motor type

3SIEL132M-B34-C2

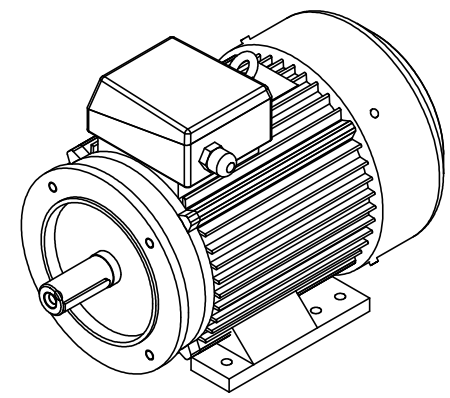
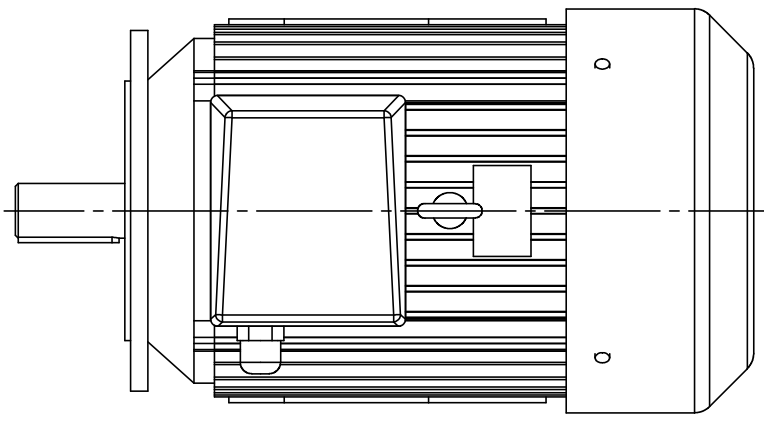
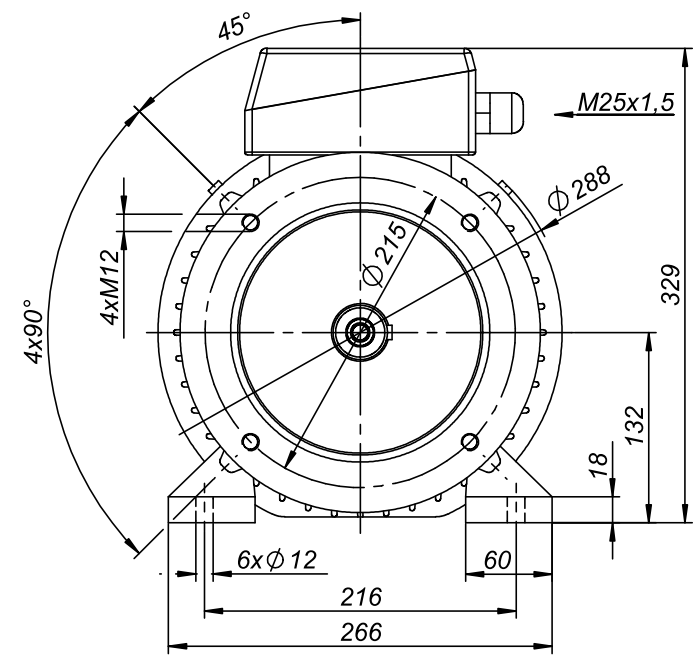
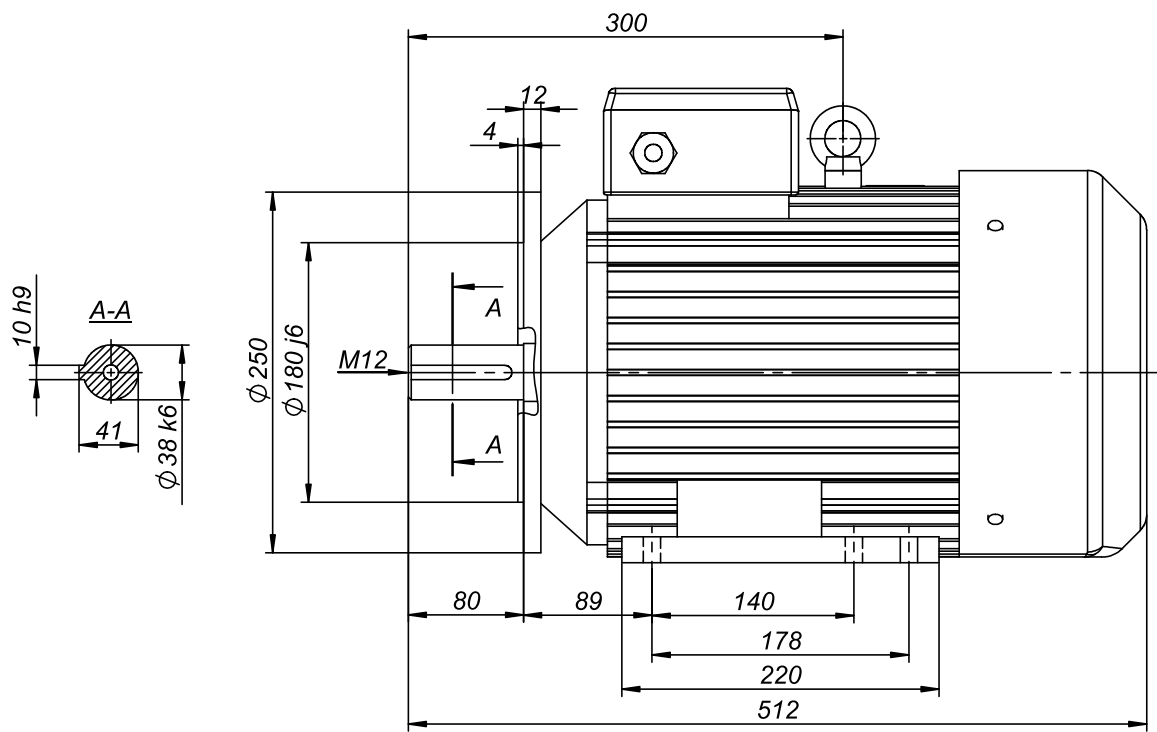
Drawing no.

S-1497-01-2014

Scale

1:5

Cantoni[®]
GROUP



Motor type

3SIEL132M-B34-C1

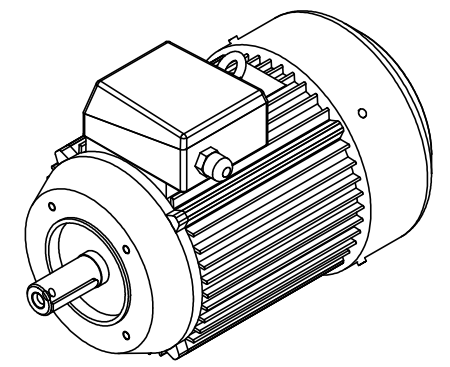
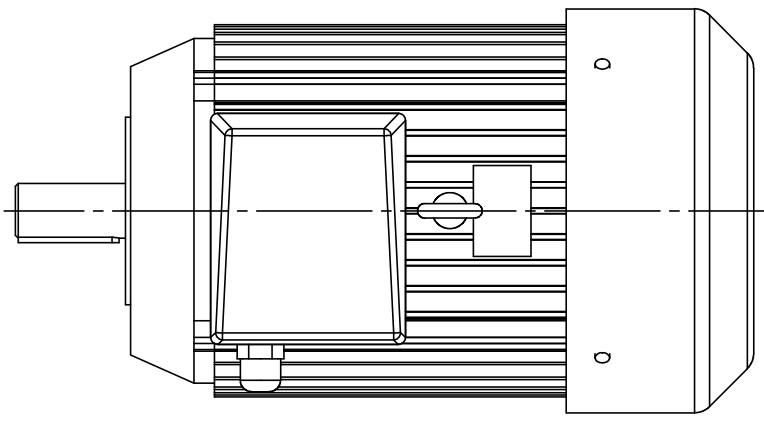
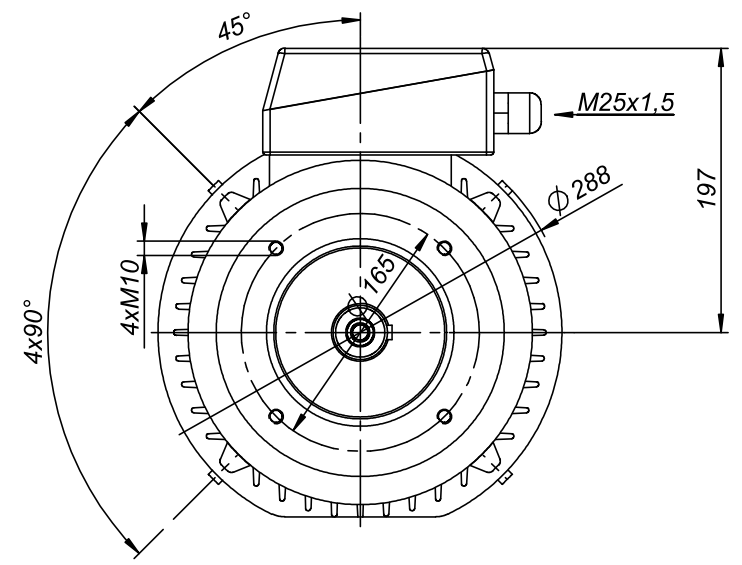
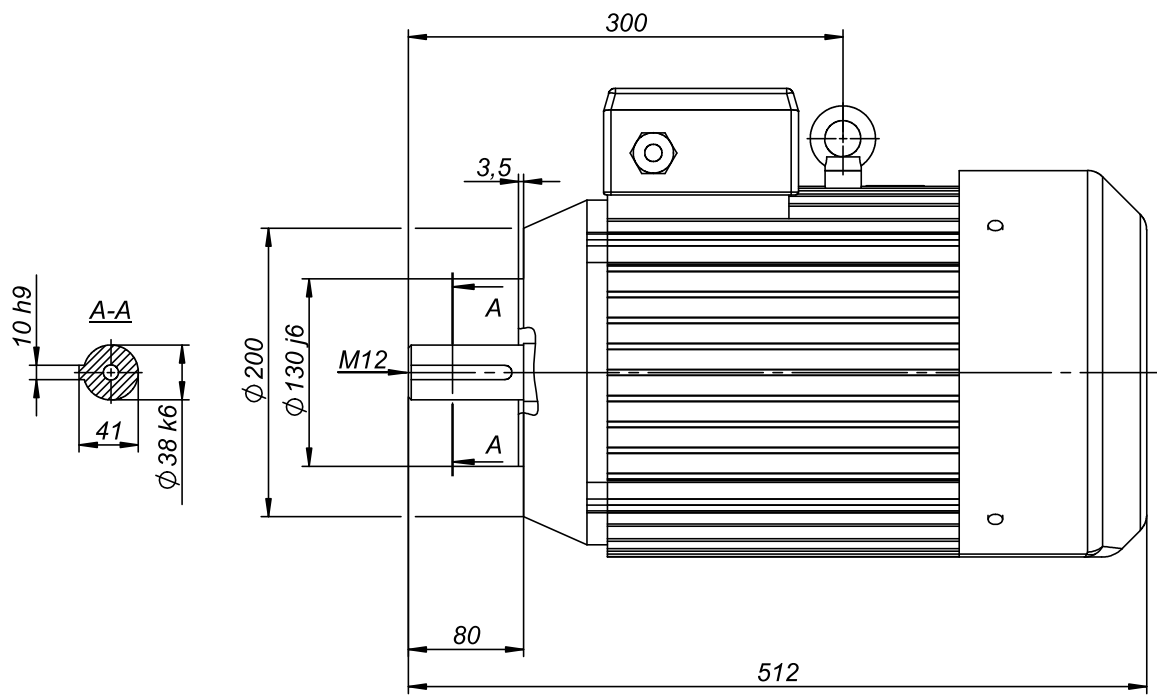
Drawing no.

S-1496-01-2014

Scale

1:5





Motor type

3SIEK132S;M-B14-C2

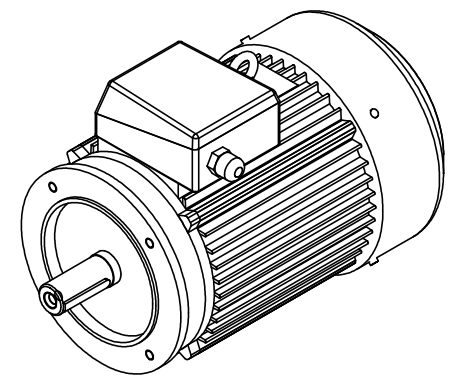
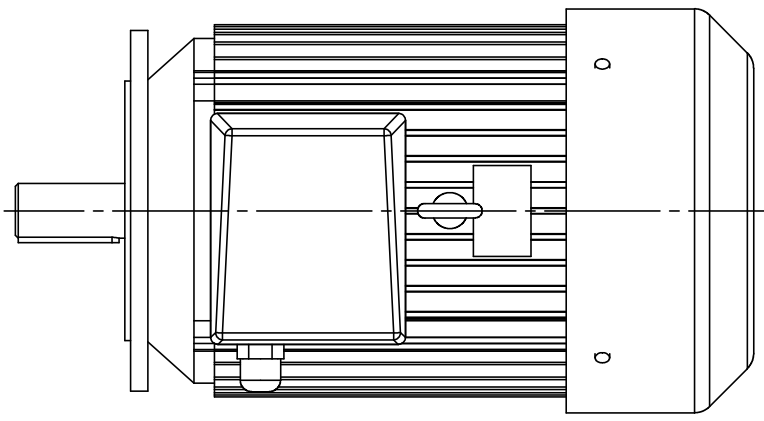
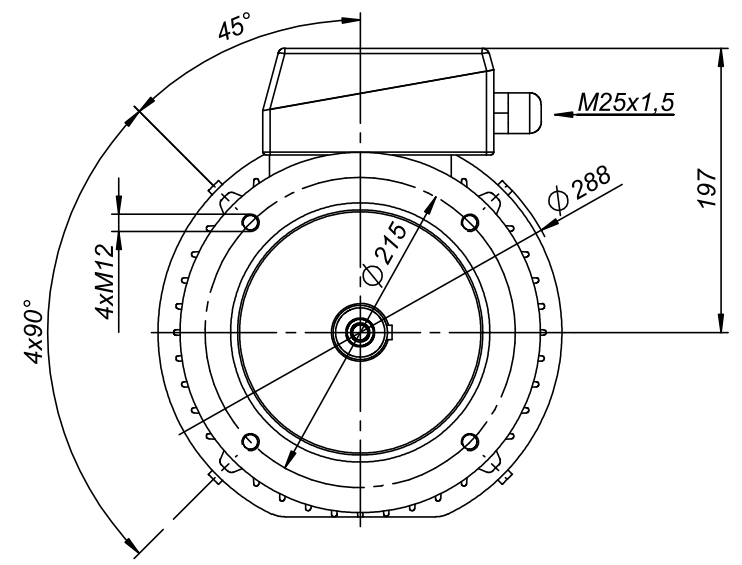
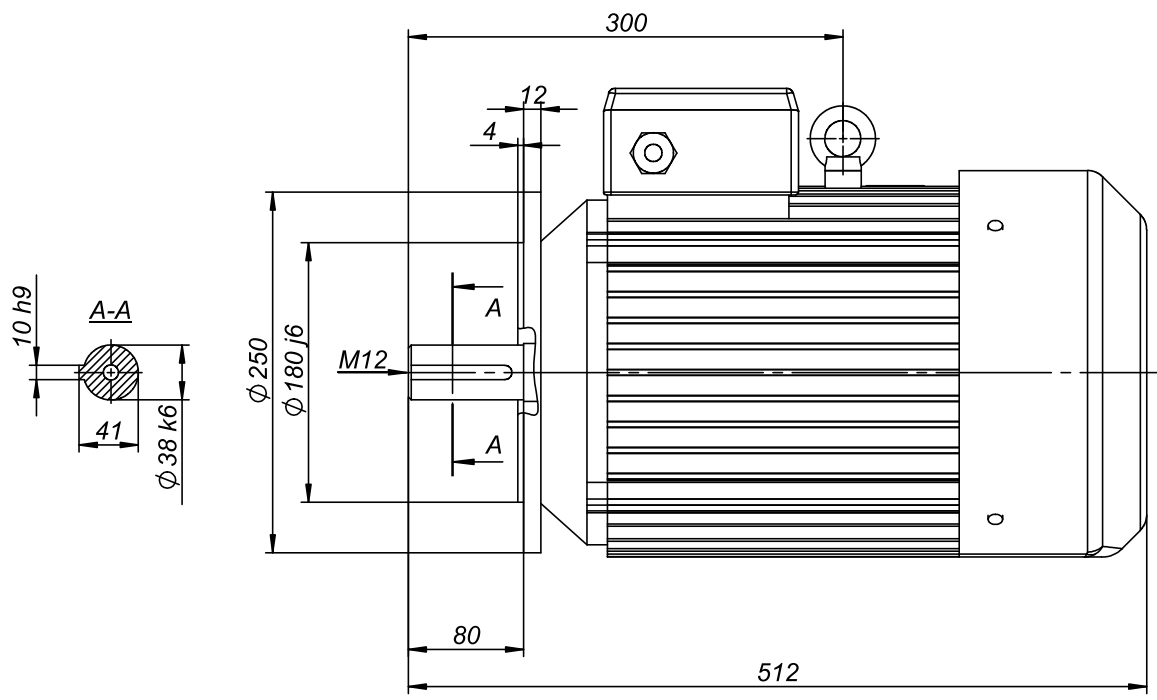


Drawing no.

S-1491-01-2014

Scale

1:5



Motor type

3SIEK132S;M-B14-C1

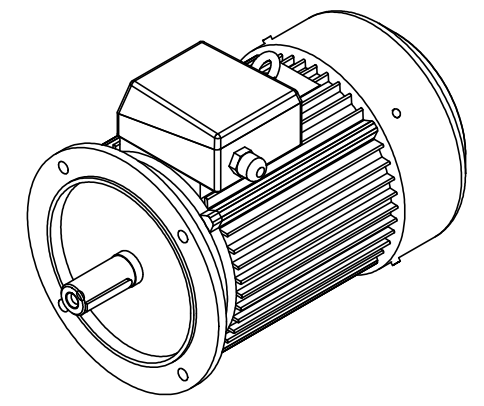
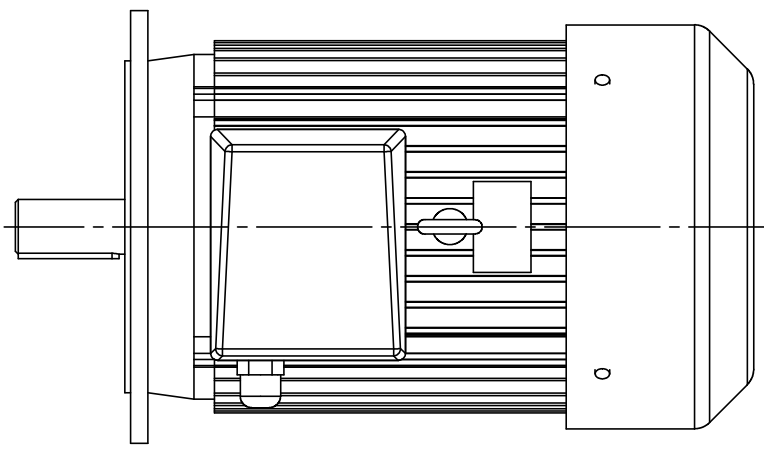
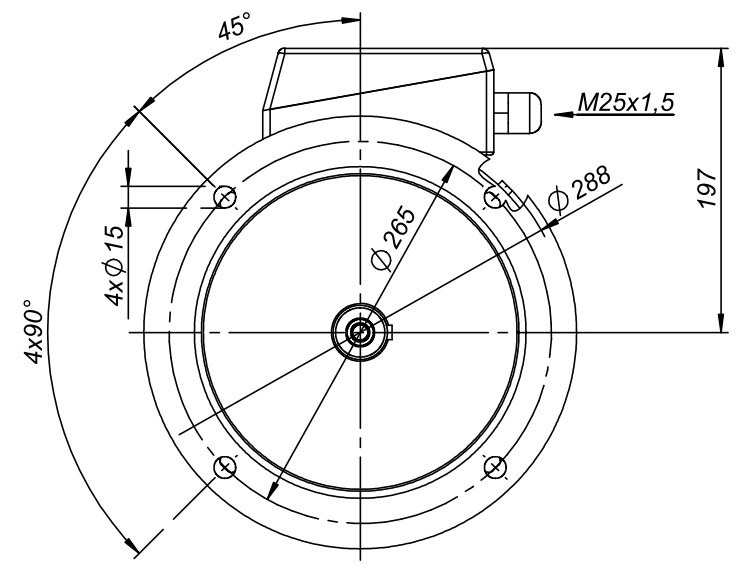
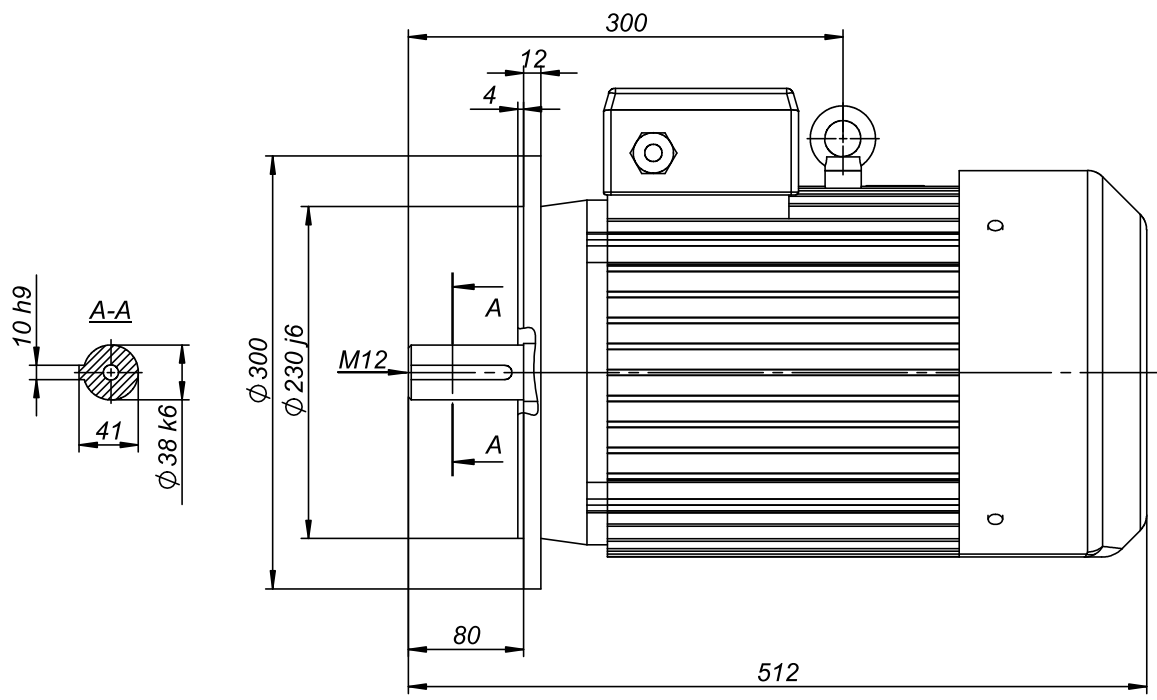
Drawing no.

S-1490-01-2014

Scale

1:5





Motor type

3SIEK132S;M-B5

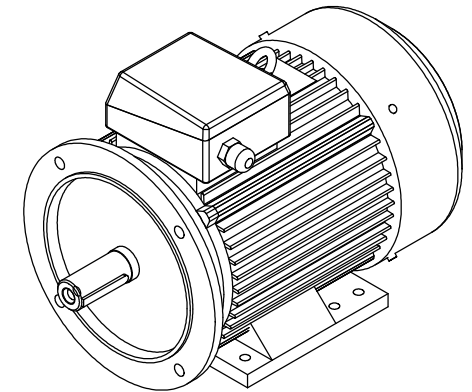
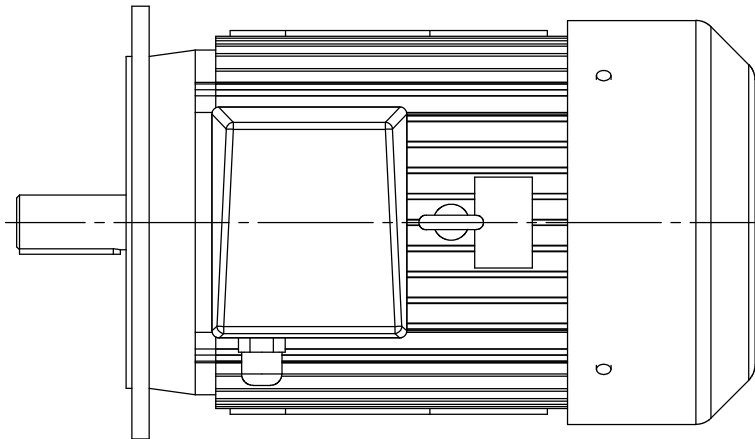
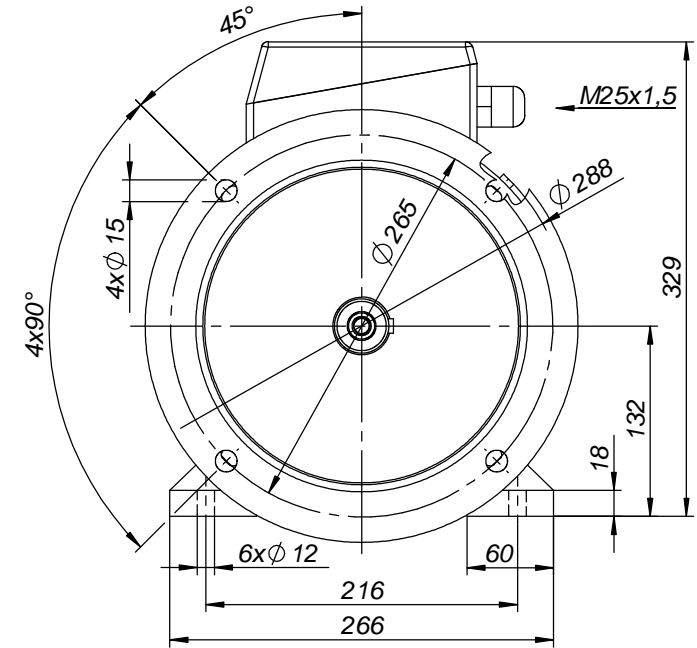
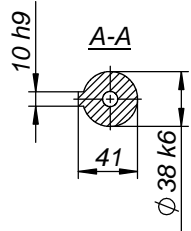
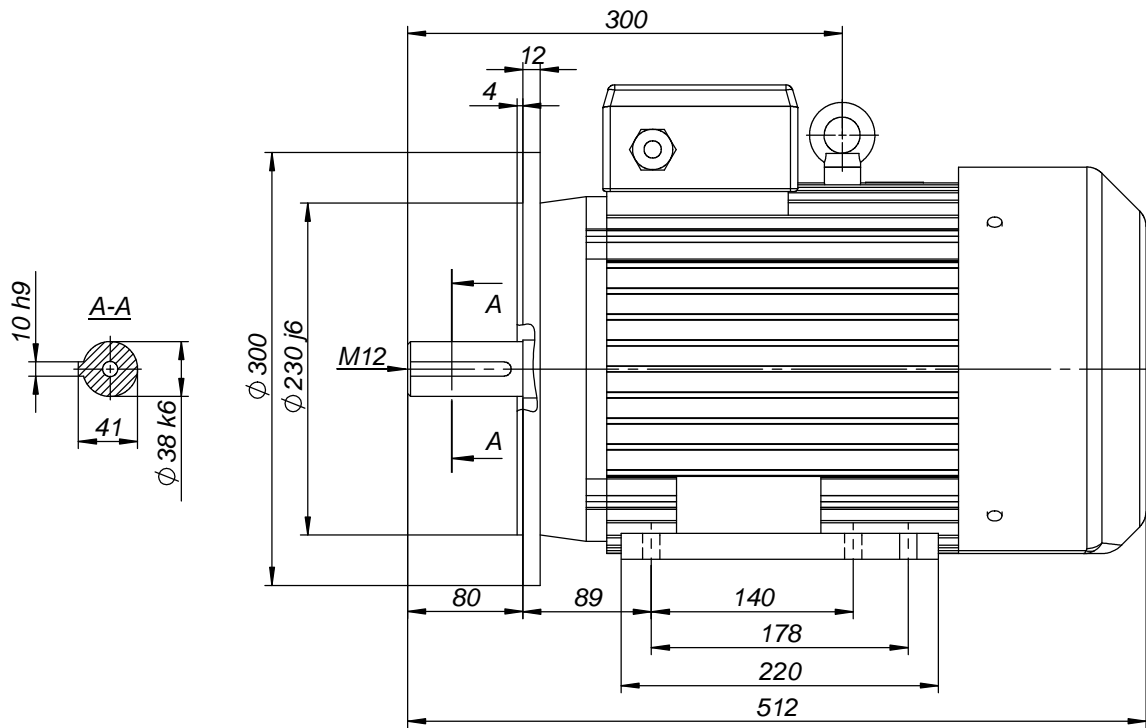
Drawing no.

S-1439-01-2014

Scale

1:5





Motor type

3SIEL132M-B35



Drawing no.

S-1443-01-2014

Scale

1:5