

Motor type

**3SIE132S-B3**

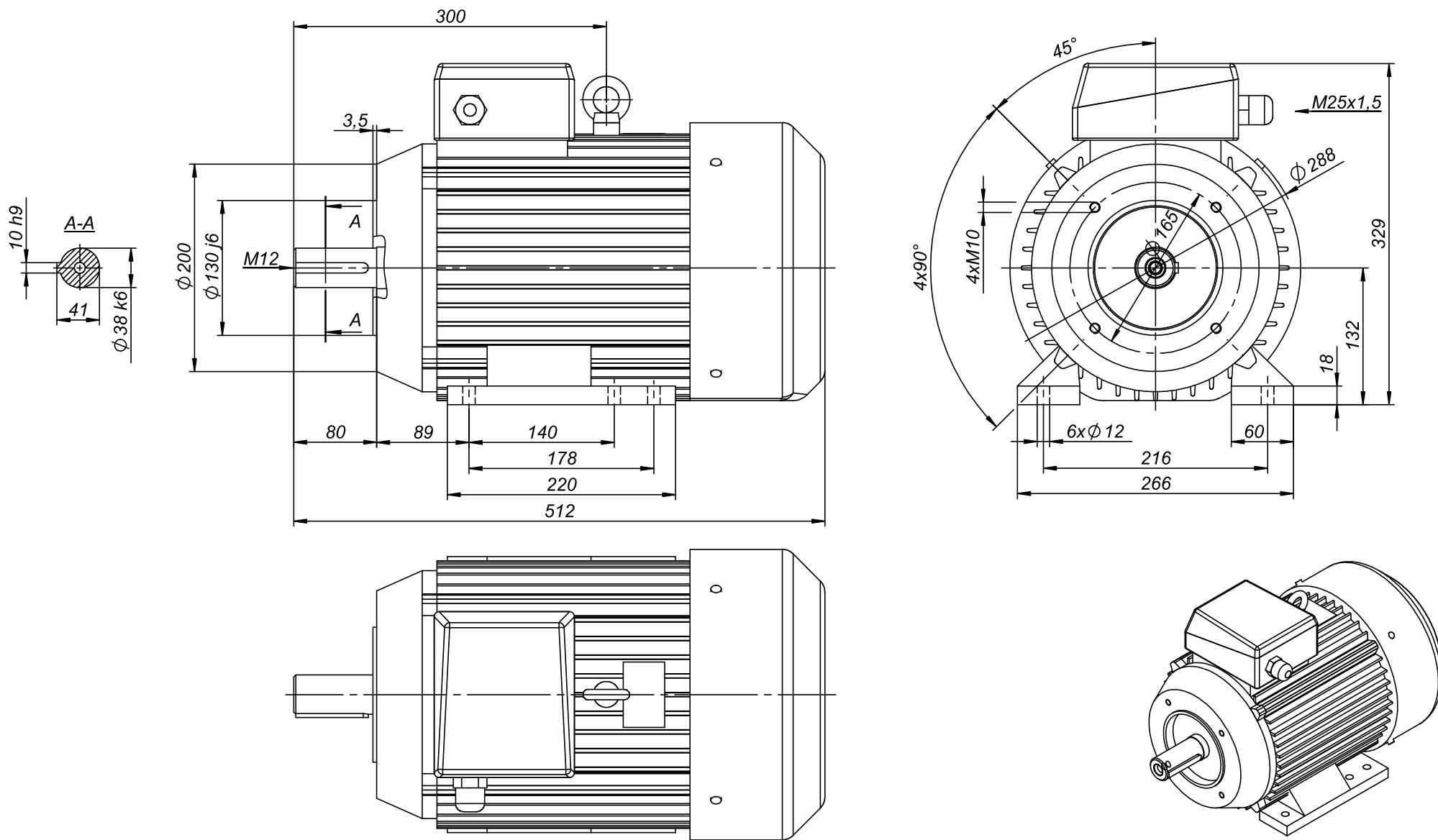


Drawing no.

**S-1433-01-2014**

Scale

**1:5**



Motor type

**3SIEL132S-B34-C2**

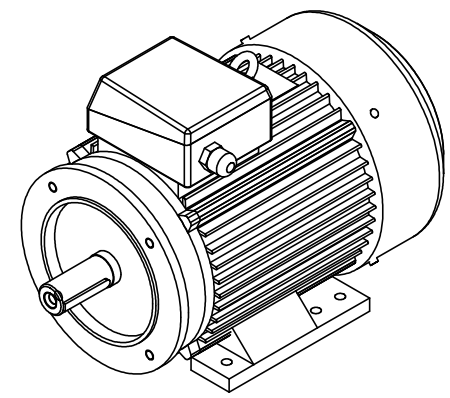
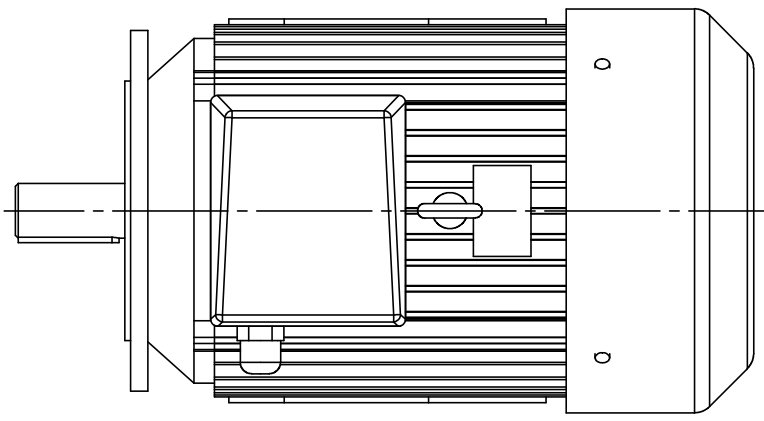
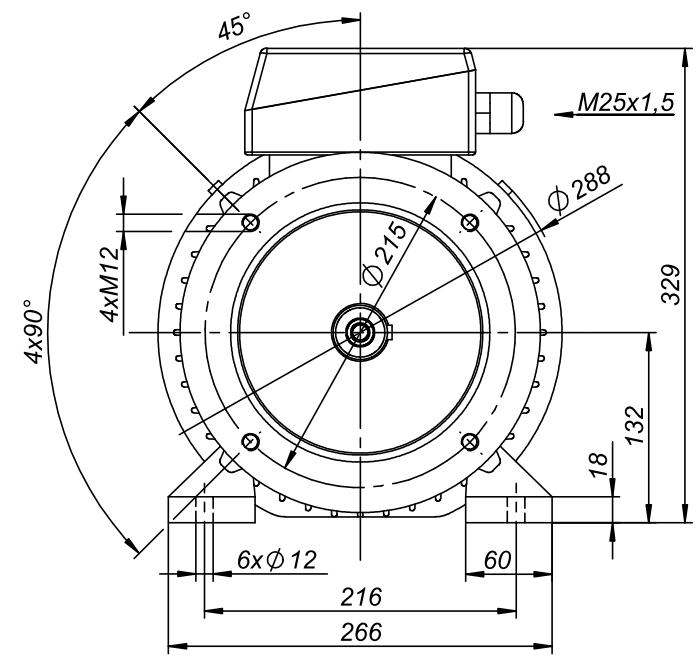
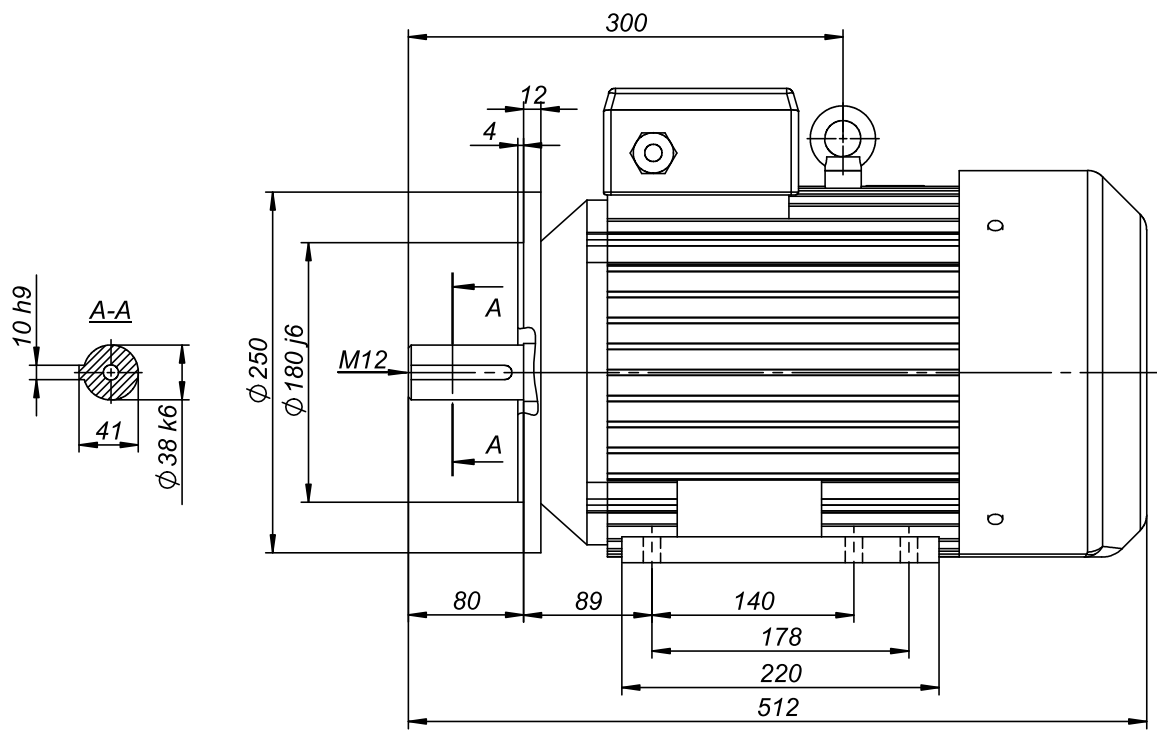


Drawing no.

**S-1495-01-2014**

Scale

**1:5**



Motor type

**3SIEL132S-B34-C1**

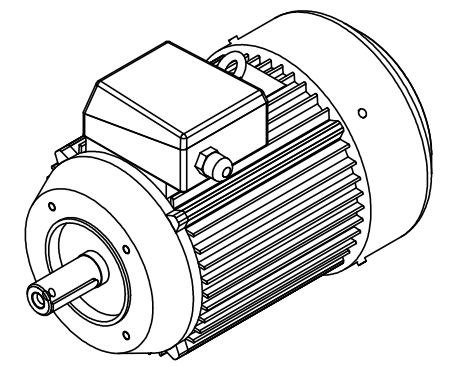
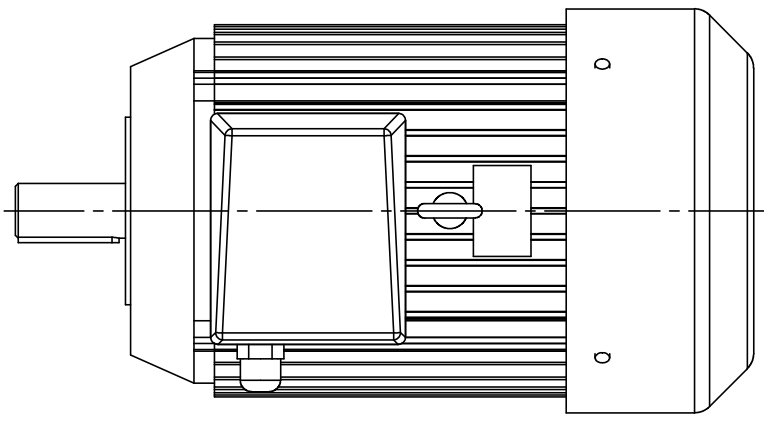
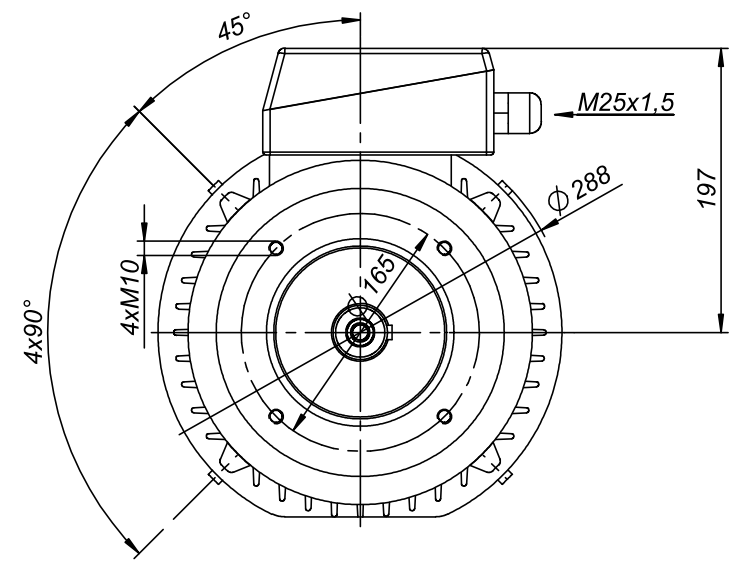
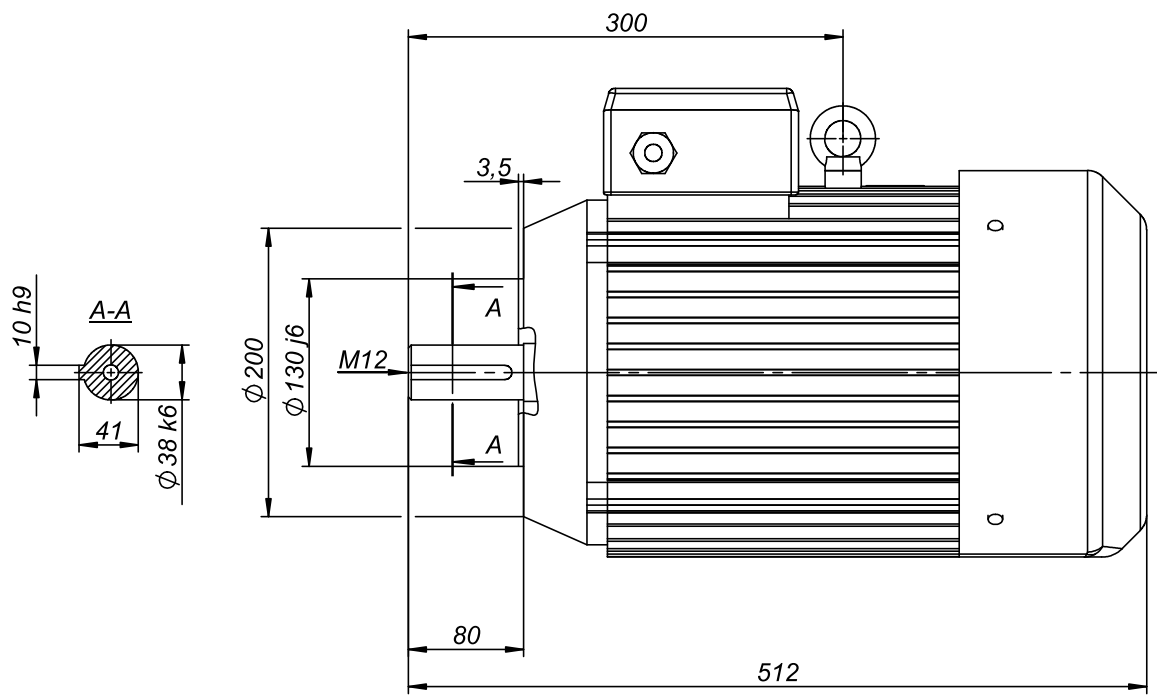
Drawing no.

**S-1494-01-2014**

Scale

**1:5**





Motor type

**3SIEK132S;M-B14-C2**

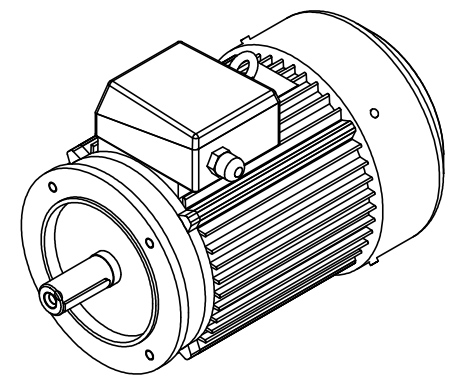
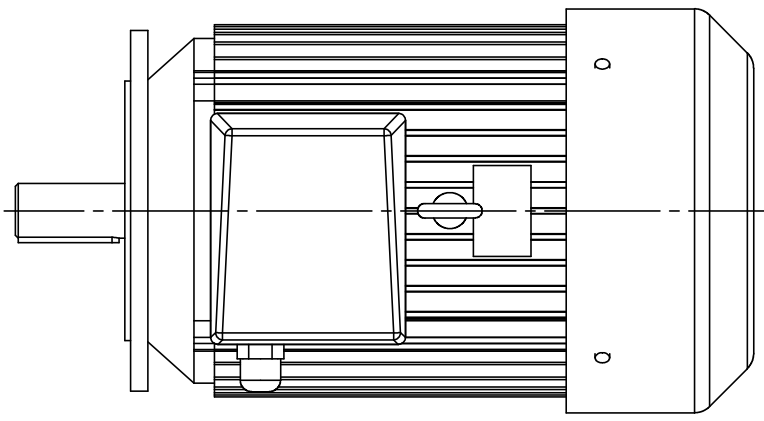
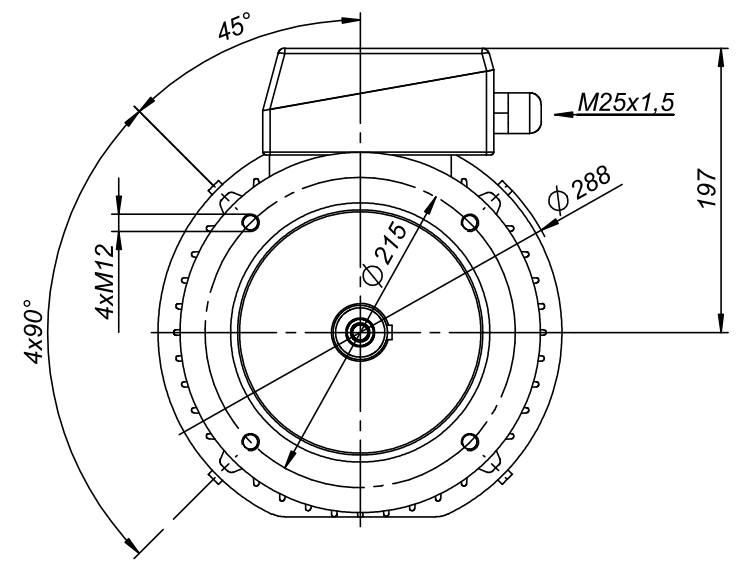
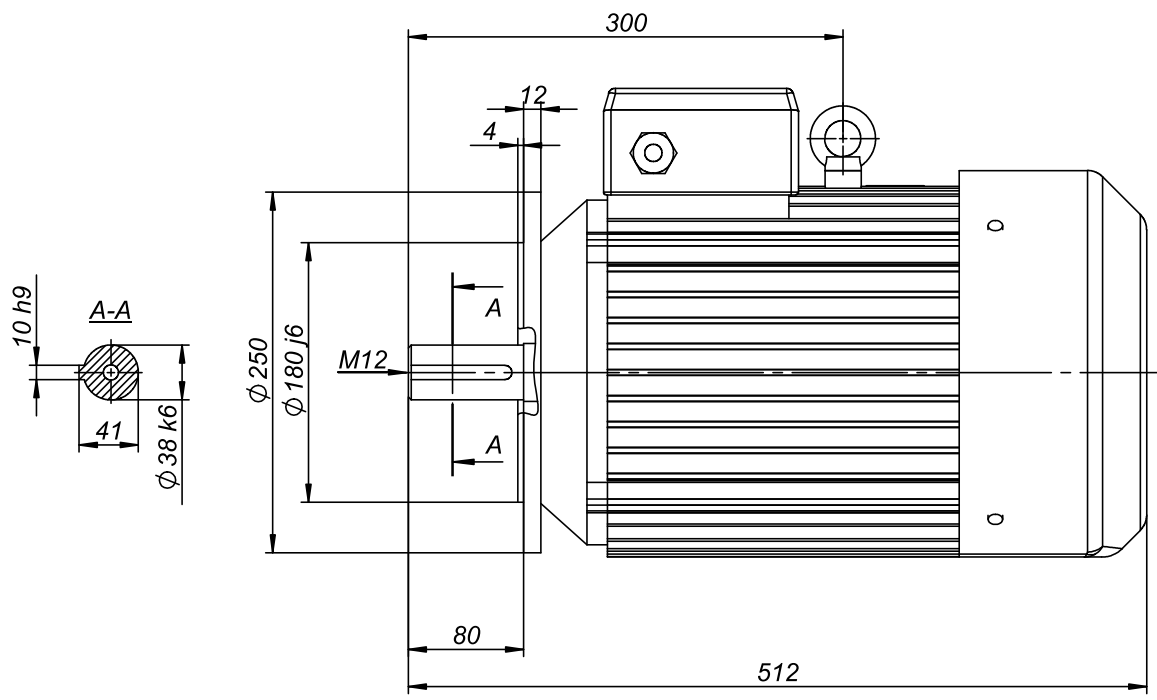


Drawing no.

**S-1491-01-2014**

Scale

**1:5**



Motor type

**3SIEK132S;M-B14-C1**

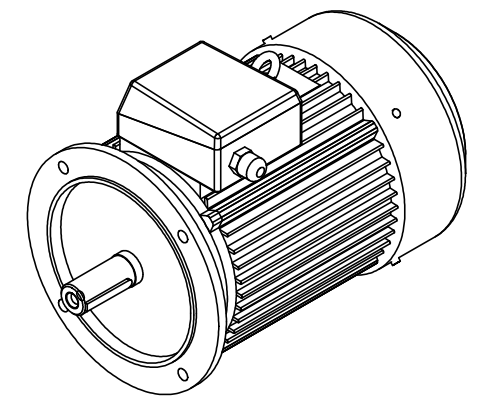
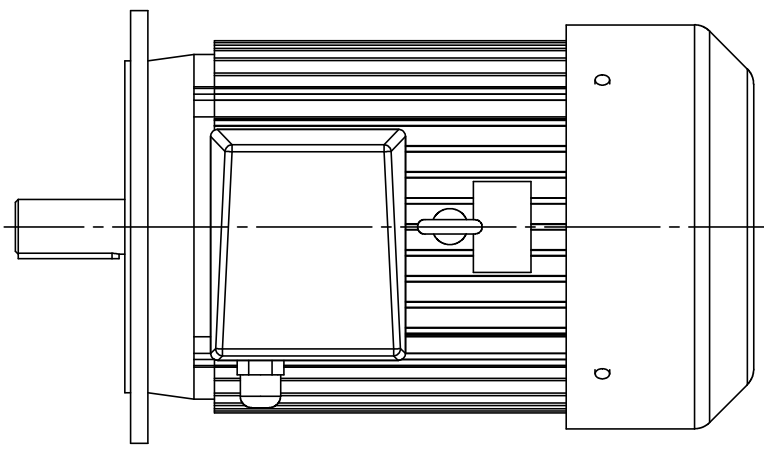
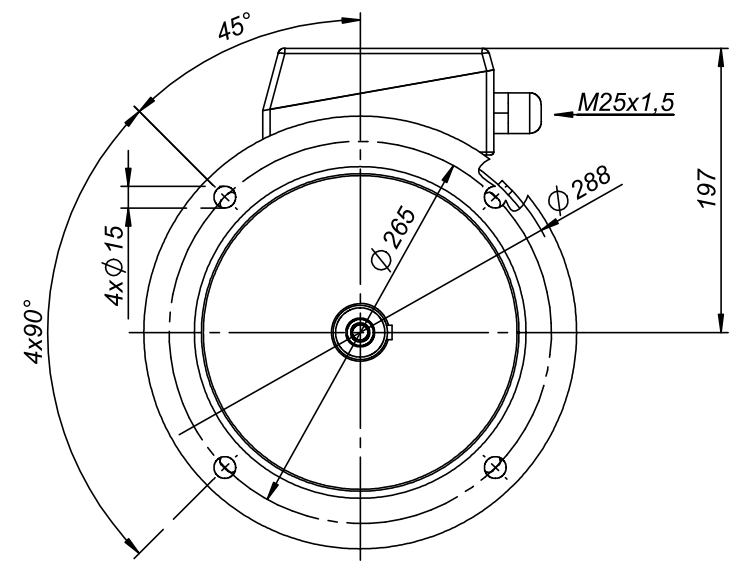
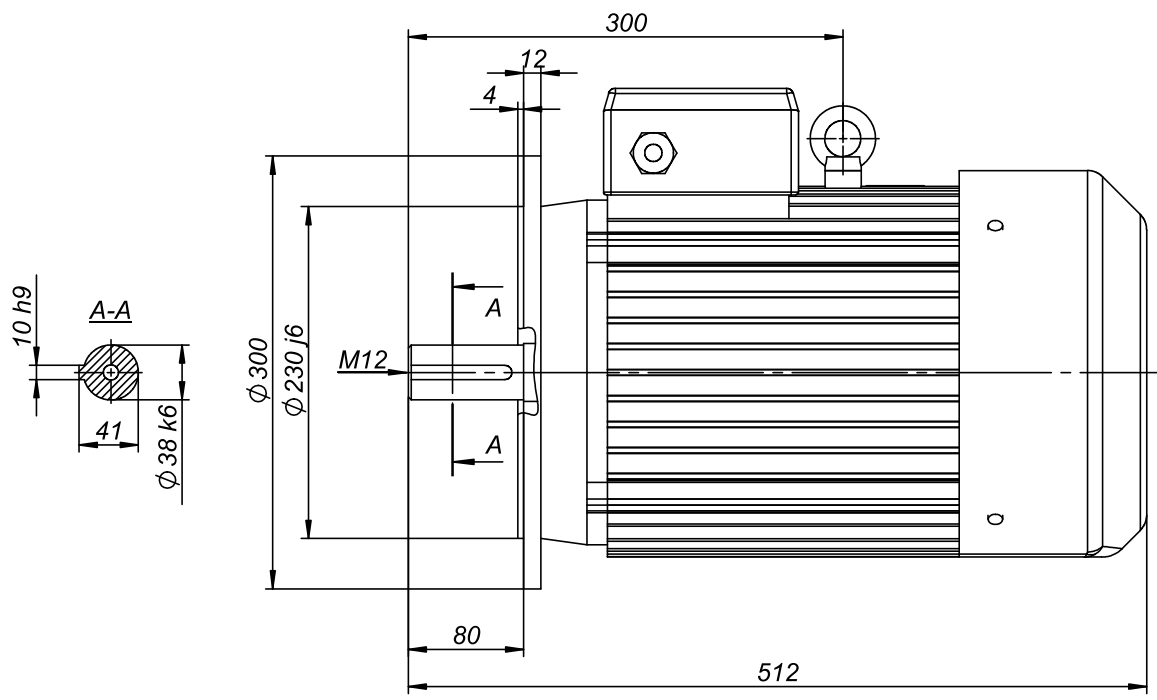
Drawing no.

**S-1490-01-2014**

Scale

**1:5**





Motor type

**3SIEK132S;M-B5**

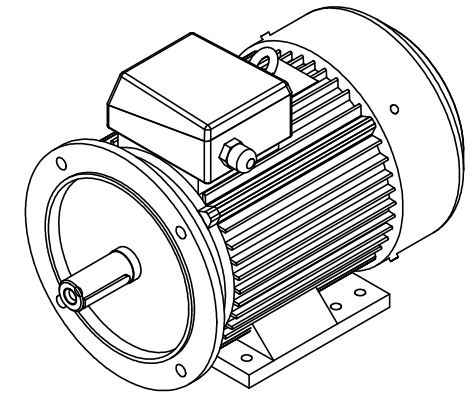
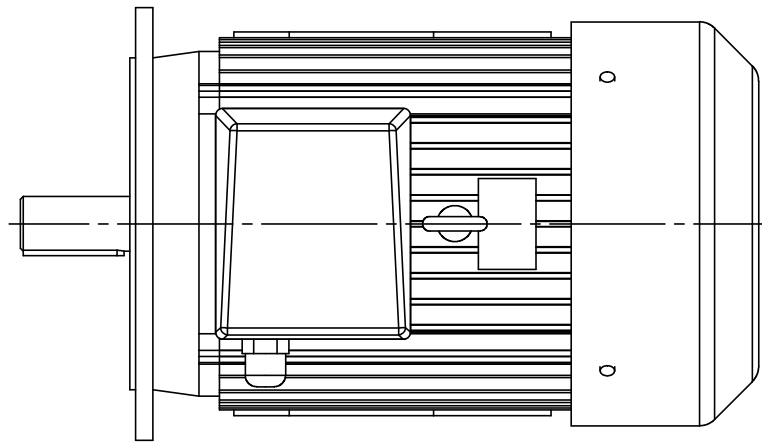
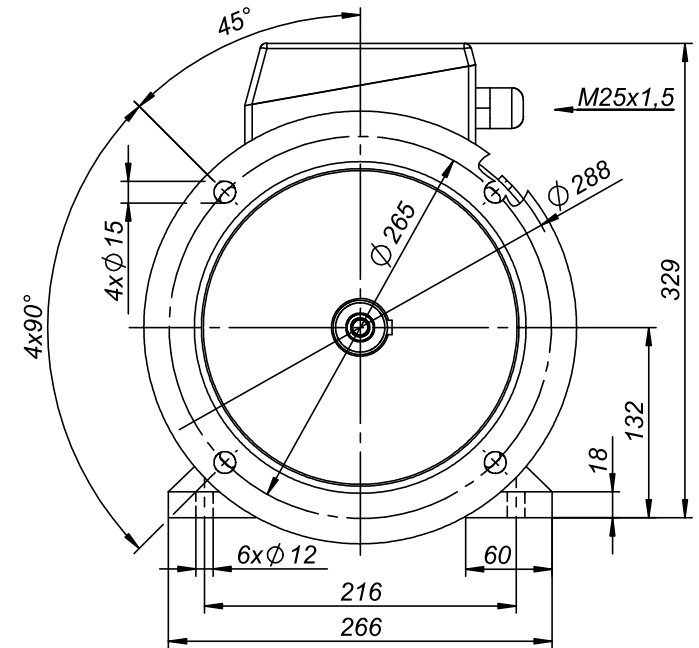
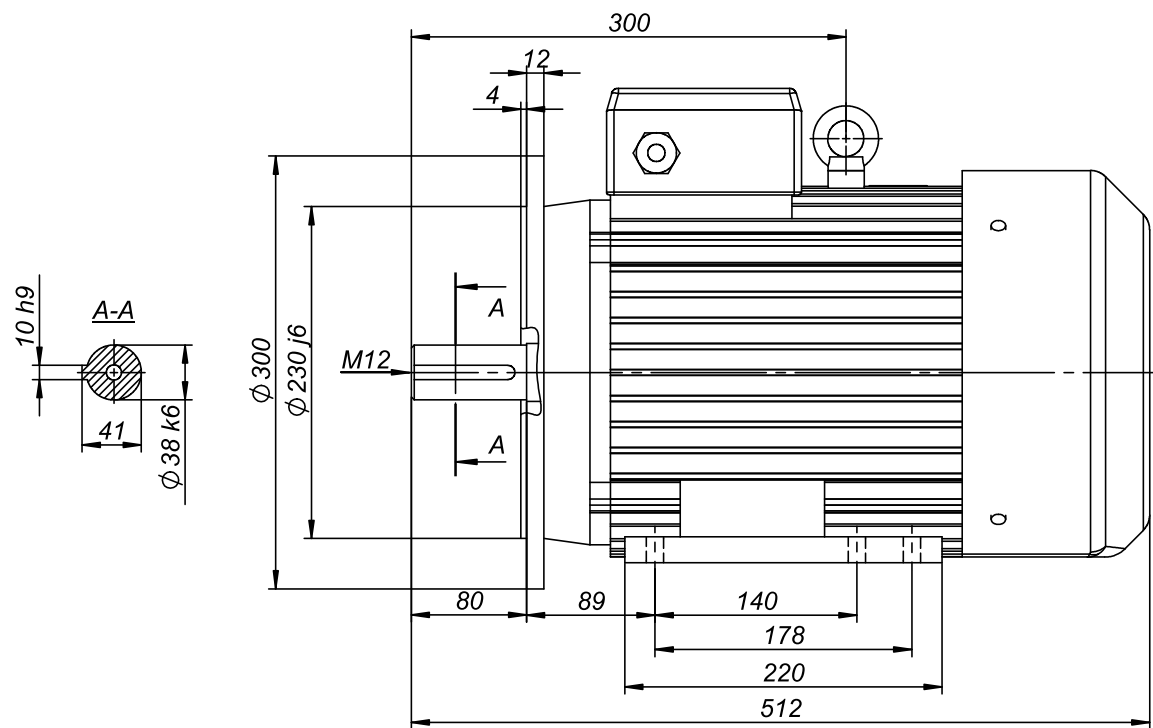
Drawing no.

**S-1439-01-2014**

Scale

**1:5**





**CELMA**  
indukta

Motor type

**3SIEL132S-B35**

Drawing no.

**S-1442-01-2014**

Scale

**1:5**

**Cantoni**<sup>®</sup>  
GROUP