

**CELMA**  
**indukta**

*Cantoni*  
GROUP

Motor type

**EcSTe(b)315M(4,6)C-N-IE(2,3)**

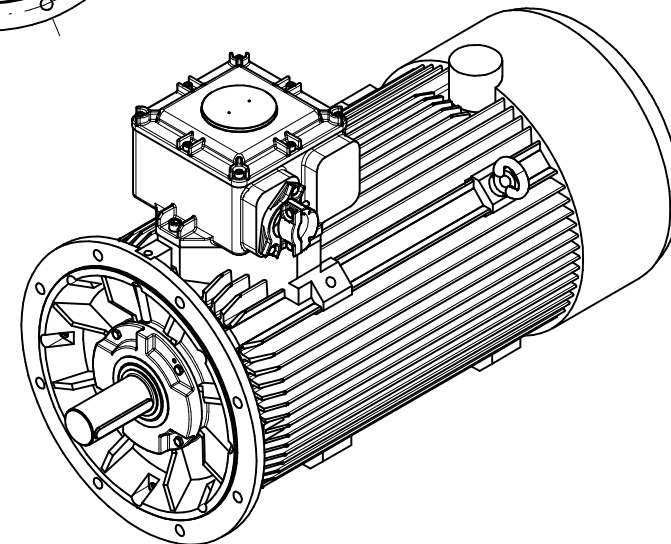
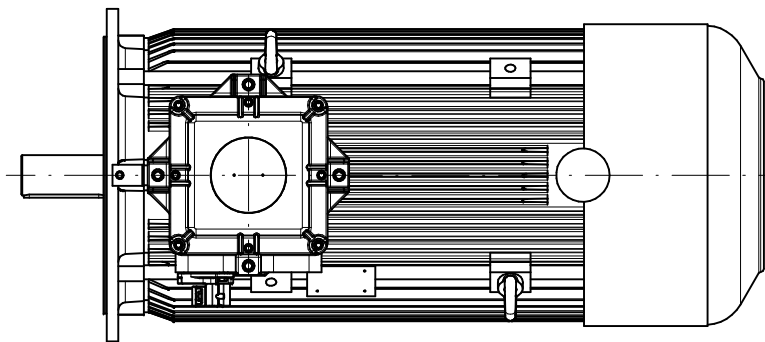
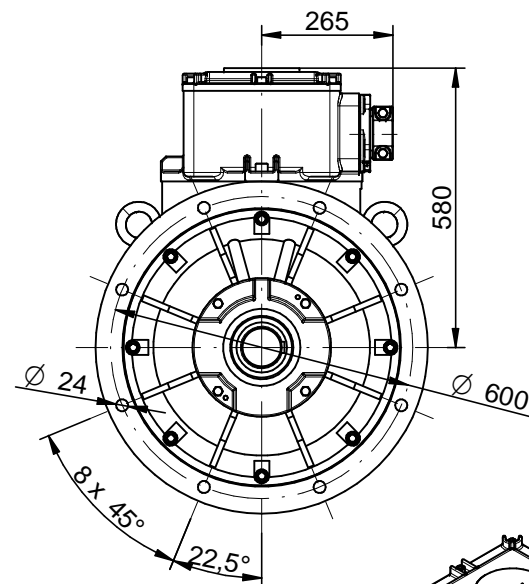
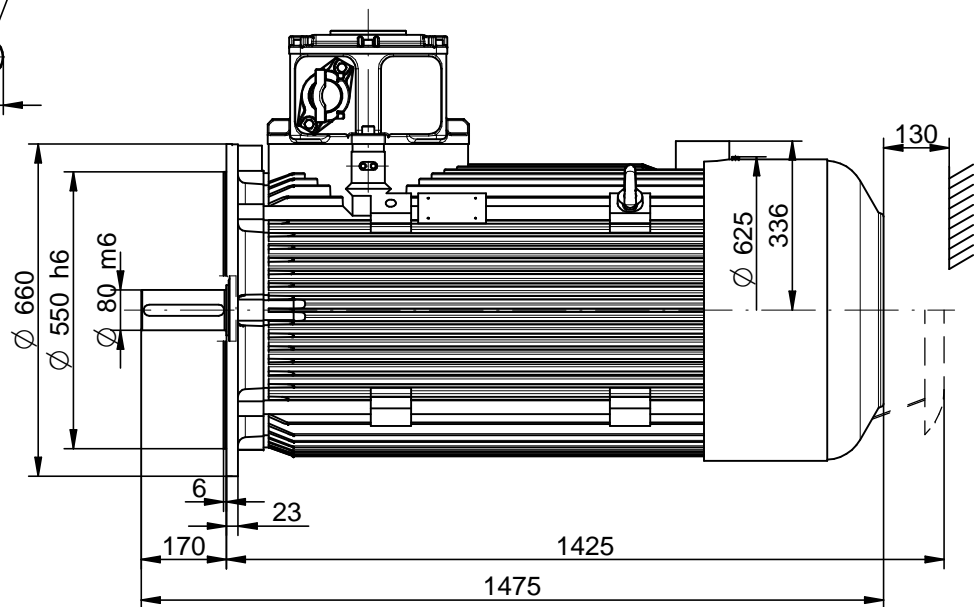
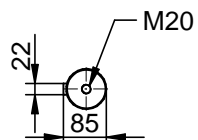
2022-04-28

Drawing no.

**S(35,36)-(600-659)-000**

Scale

**1:15**



**CELMA**  
**indukta**

*Cantoni*®  
GROUP

Motor type

**EcSTKe(b)315M(4,6)C-N-IE(2,3)**

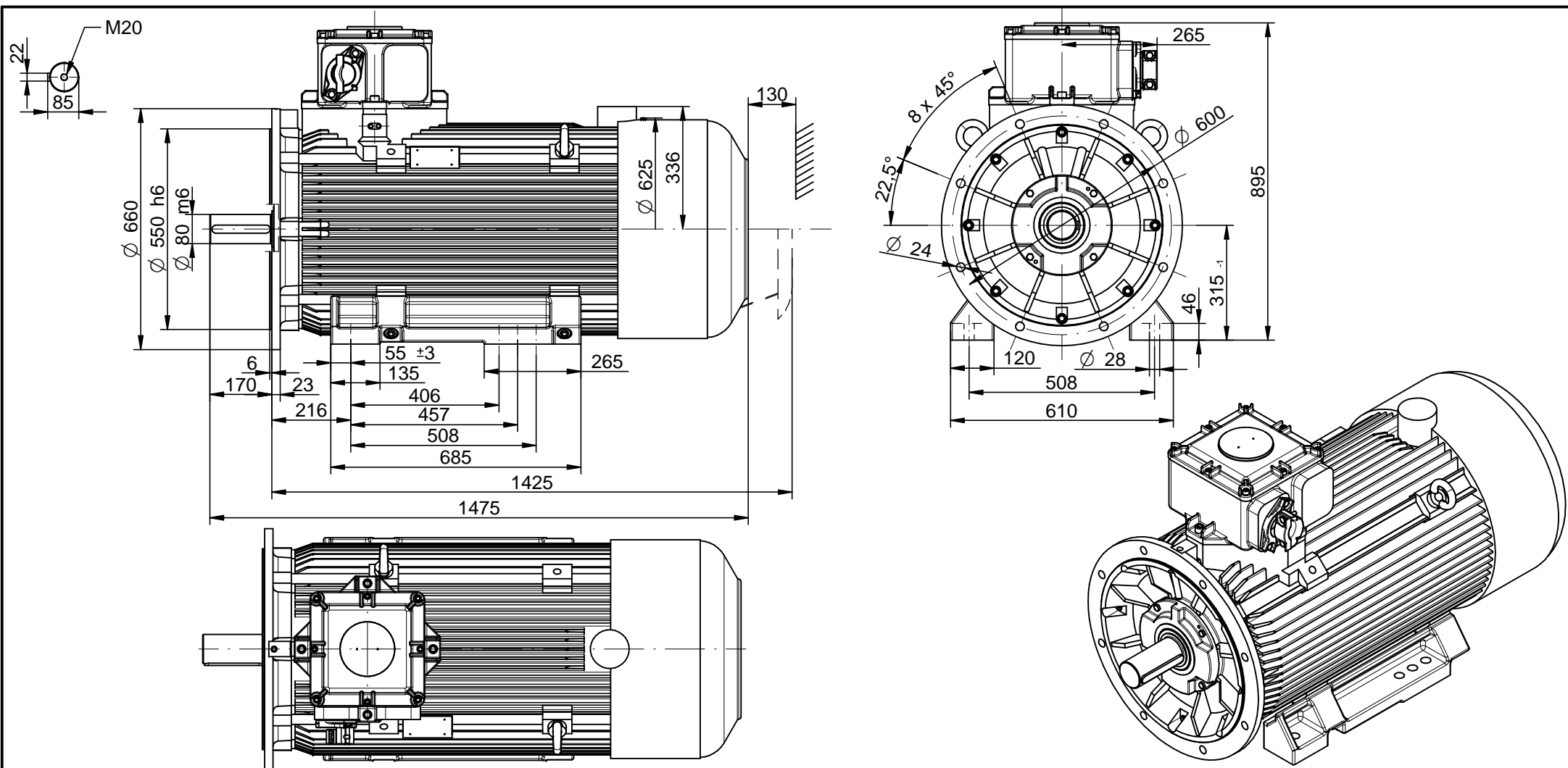
2022-05-02

Drawing no.

**S(35,36)-(600-659)-000**

Scale

**1:15**



**CELMA**  
indukta

*Cantoni*®  
GROUP

Motor type

**EcSTLe(b)315M(4,6)C-N-IE(2,3)**

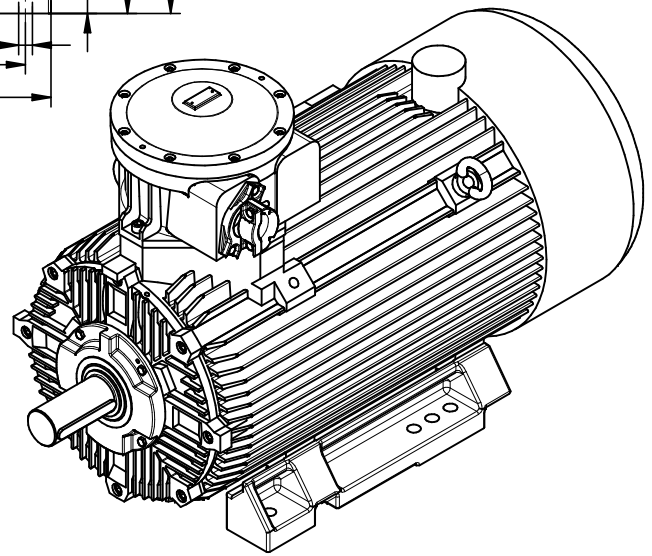
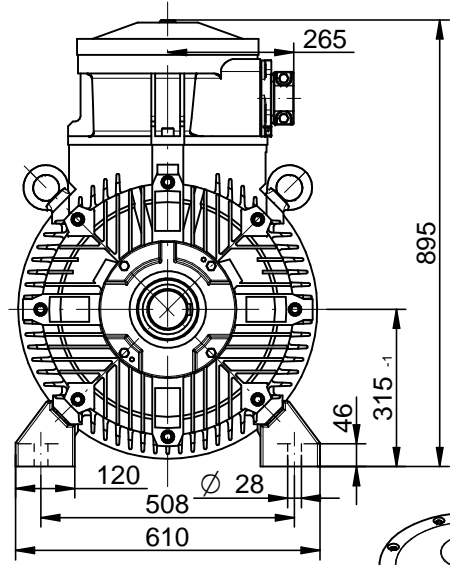
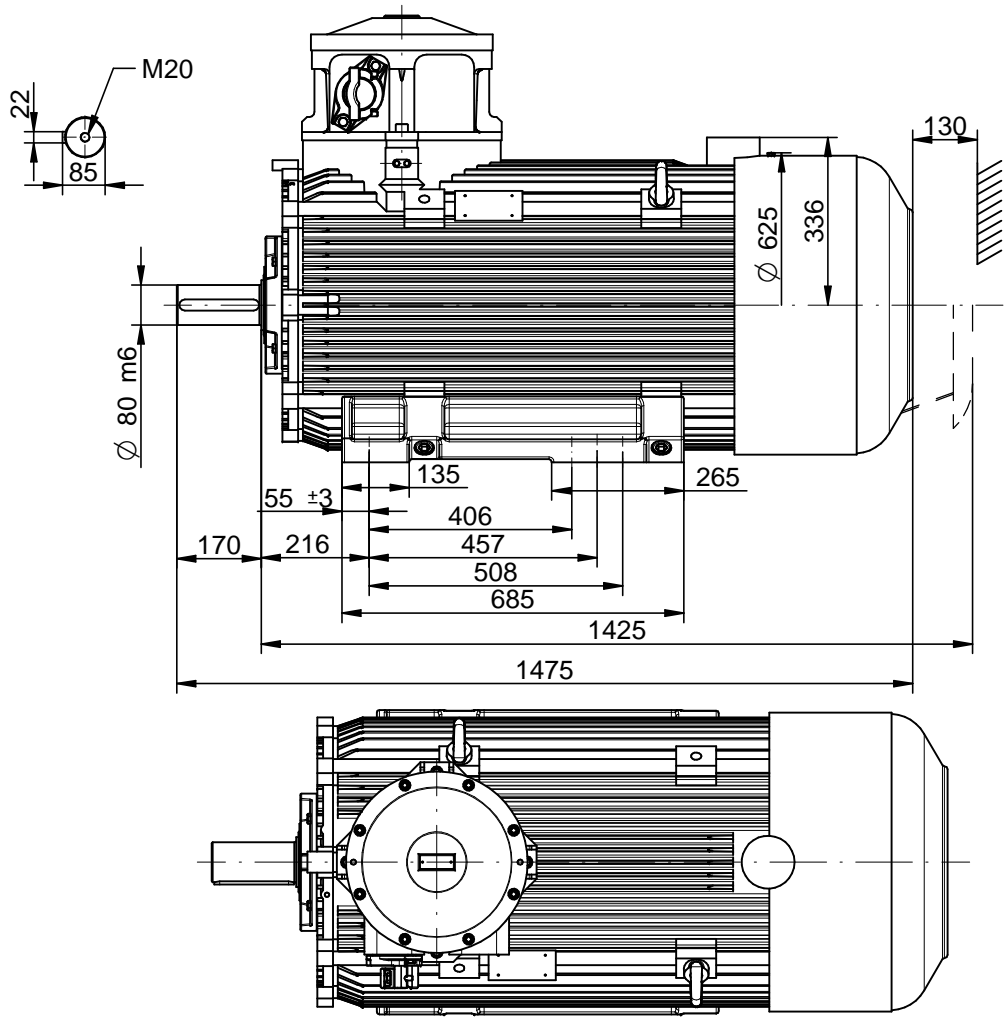
2022-05-02

Drawing no.

**S(35,36)-(600-659)-000**

Scale

**1:15**



**CELMA**  
**indukta**

*Cantoni*®  
GROUP

Motor type

**cSTe(b)315M(4,6)C-N-IE(2,3)**

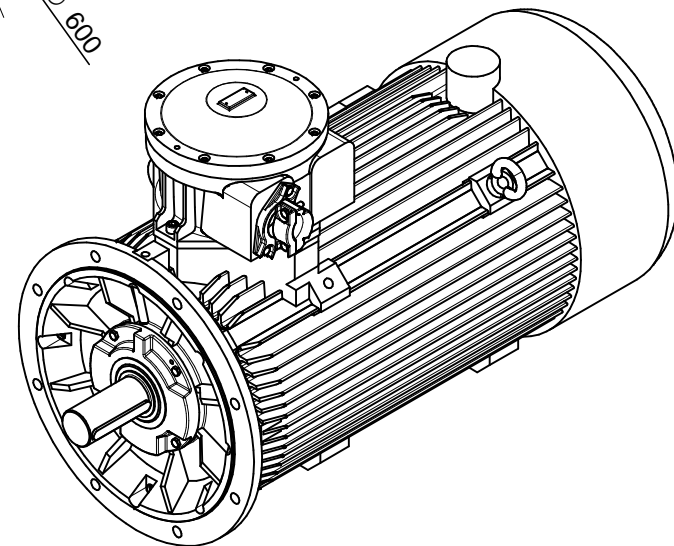
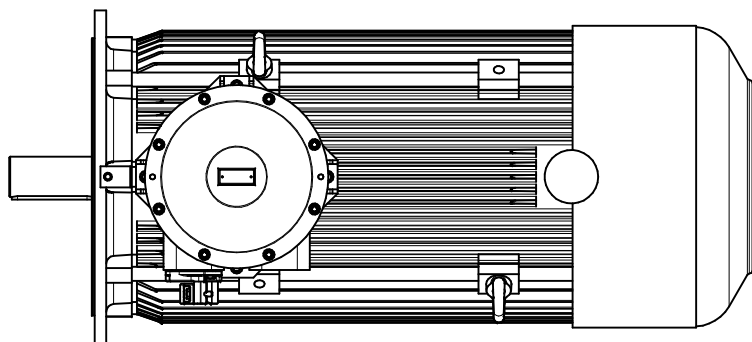
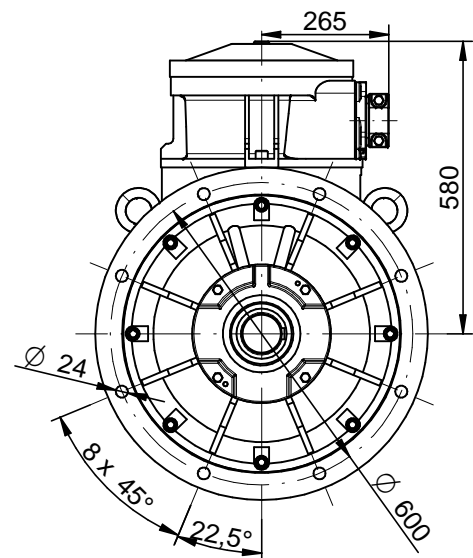
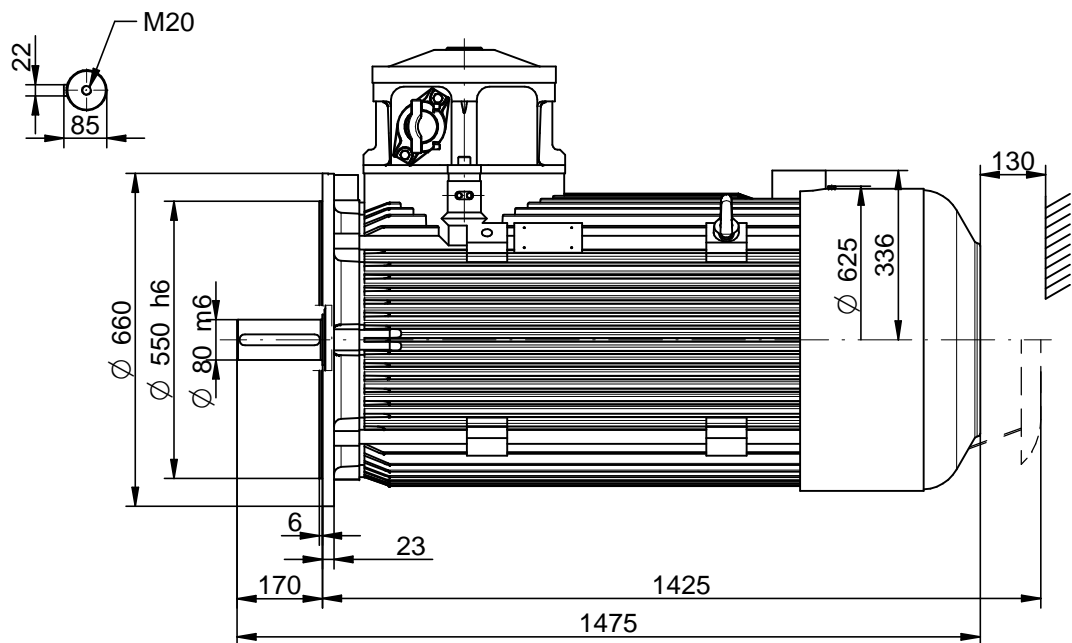
2022-04-21

Drawing no.

**S(35,36)-(600-659)-000**

Scale

**1:15**



**CELMA**  
**indukta**

*Cantoni*  
GROUP

Motor type

**cSTKe(b)315M(4,6)C-N-IE(2,3)**

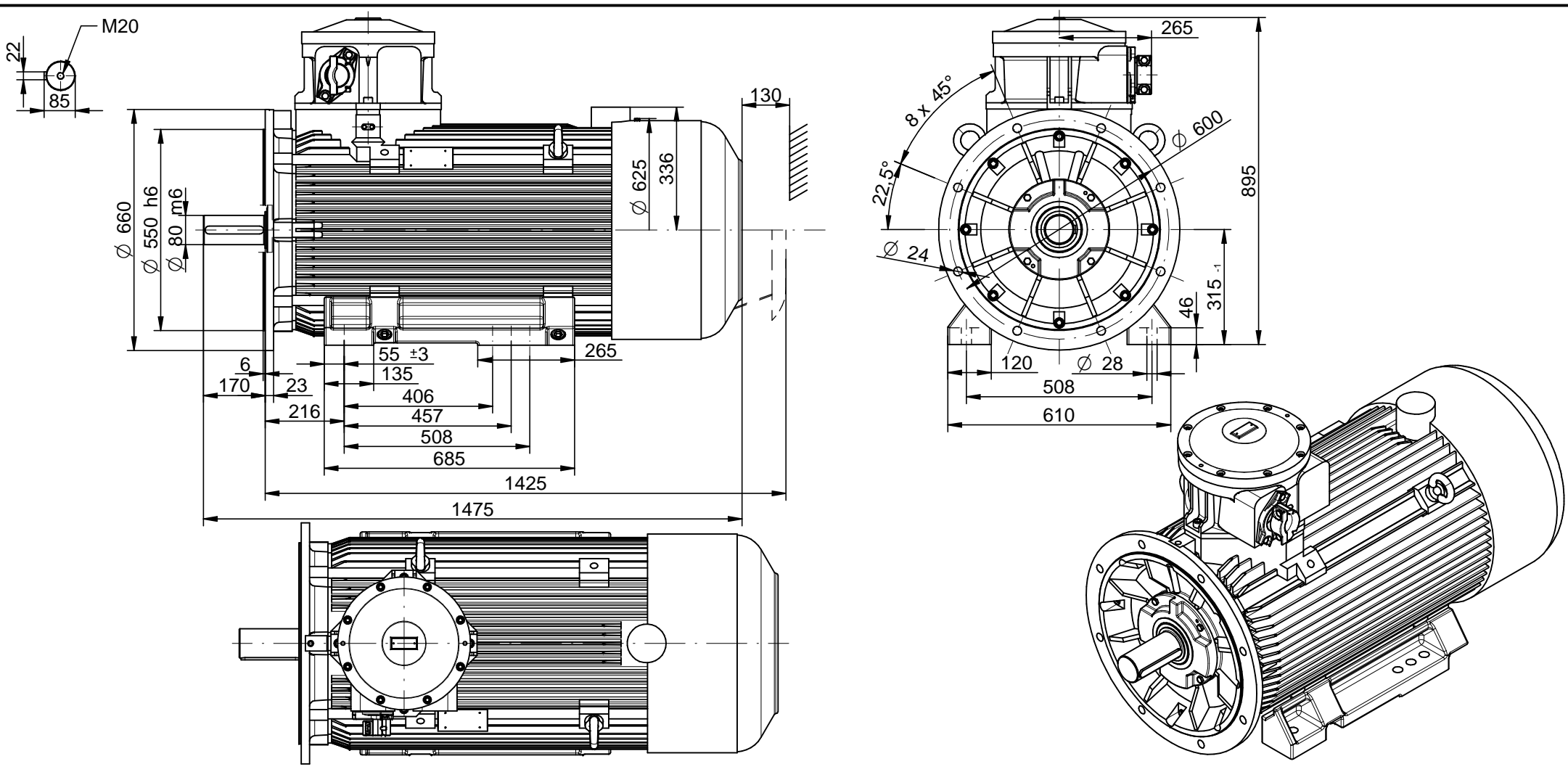
Drawing no.

**S(35,36)-(600-659)-000**

Scale

**1:15**

2022-04-25



**CELMA**  
indukta

**Cantoni**  
GROUP

Motor type

**cSTLe(b)315M(4,6)C-N-IE(2,3)**

2022-04-26

Drawing no.

**S(35,36)-(600-659)-000**

Scale

**1:15**