

CELMA
indukta

Cantoni
GROUP

Motor type

EcSTe(b)315M2(B,C)-N-IE(2,3)

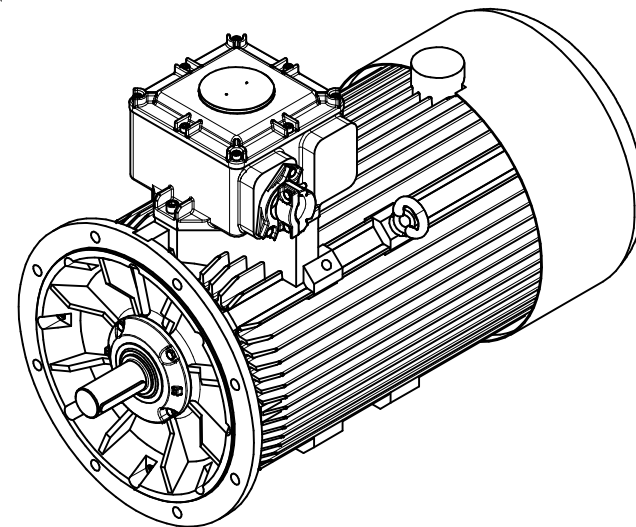
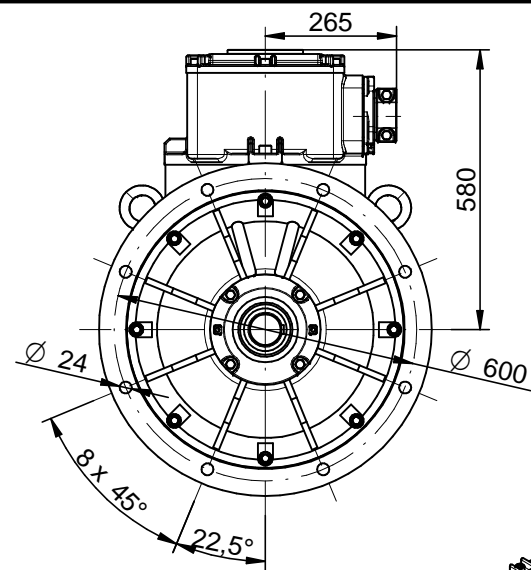
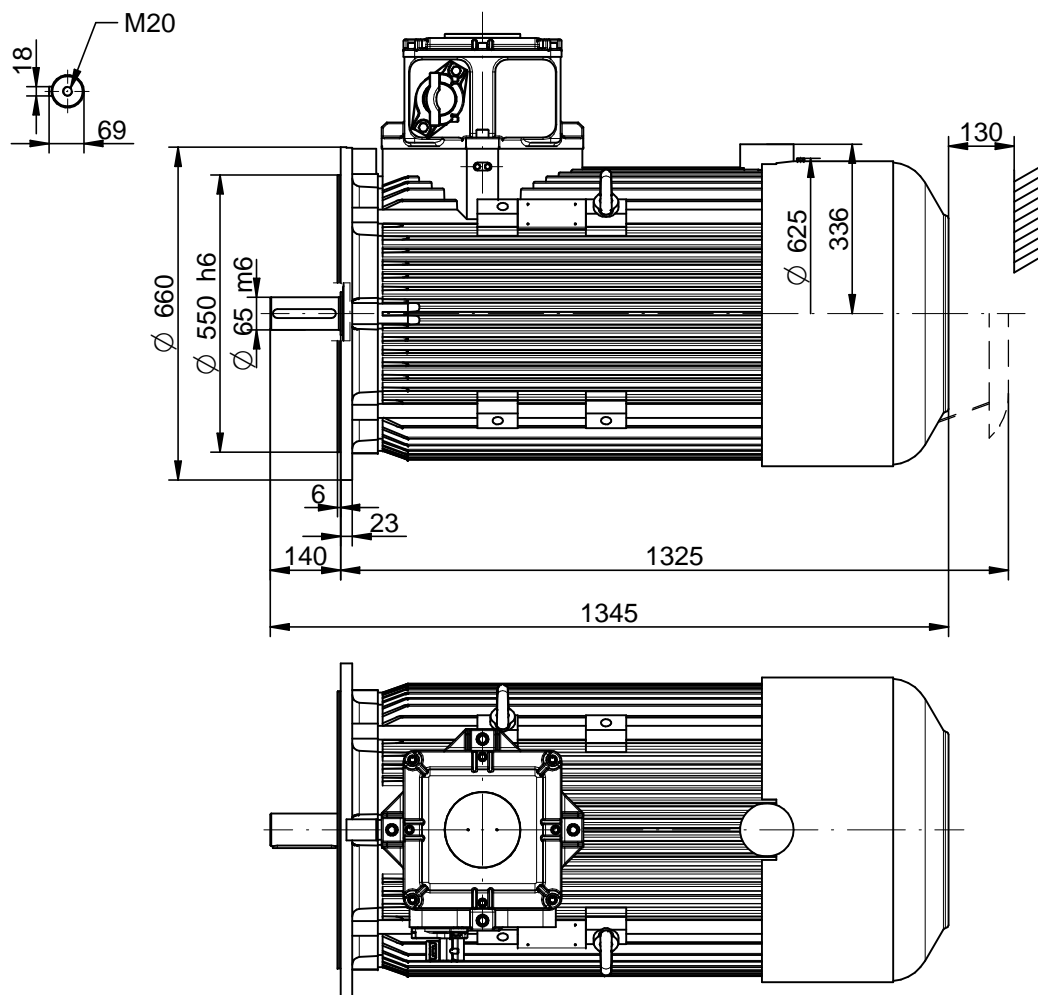
2022-04-29

Drawing no.

S(35,36)-(600-659)-000

Scale

1:15



CELMA
indukta

Cantoni®
GROUP

Motor type

EcSTKe(b)315M2(B,C)-N-IE(2,3)

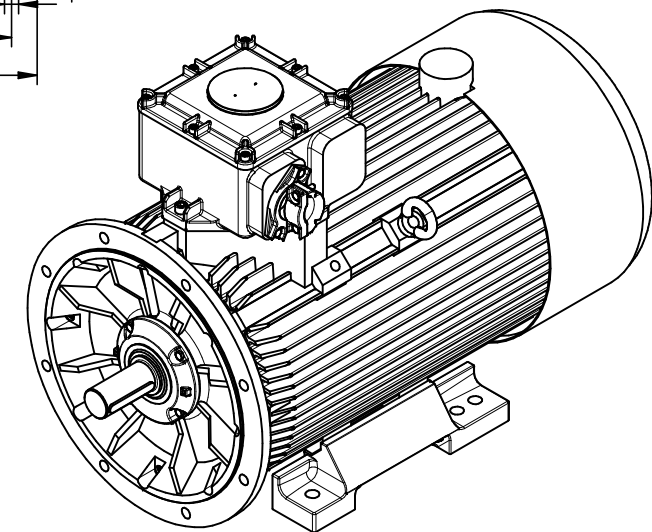
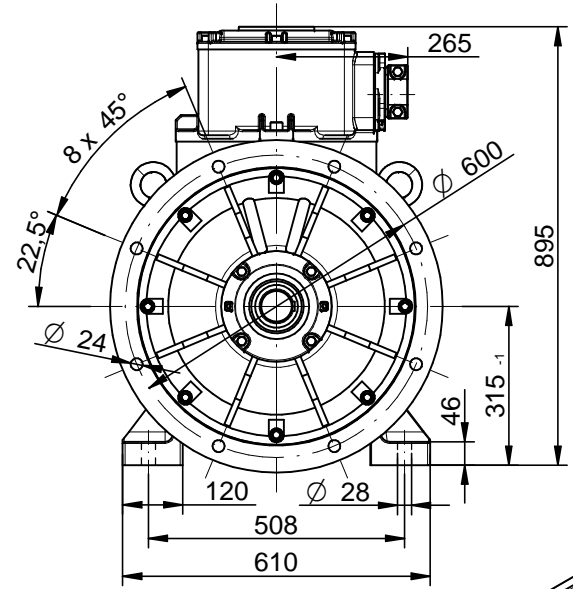
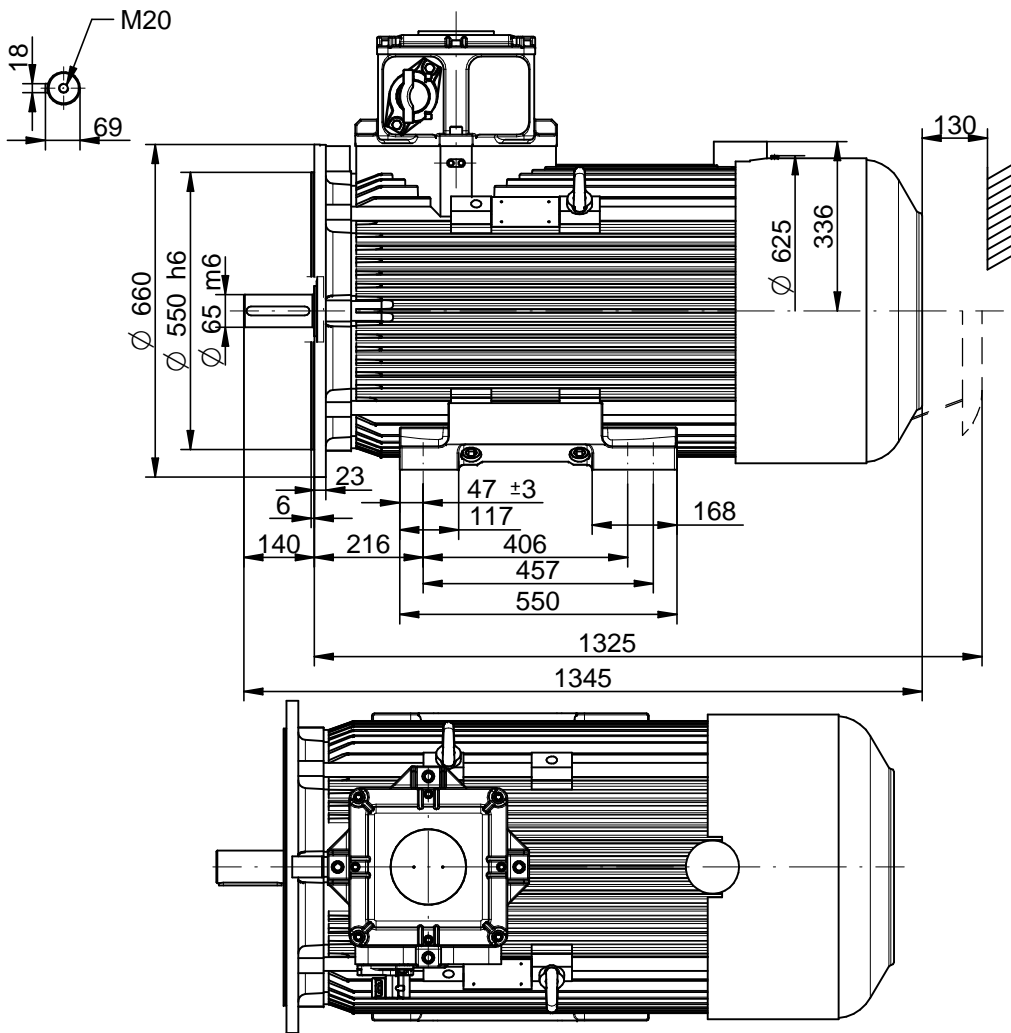
2022-05-02

Drawing no.

S(35,36)-(600-659)-000

Scale

1:15



CELMA
indukta

Cantoni®
GROUP

Motor type

EcSTLe(b)315M2(B,C)-N-IE(2,3)

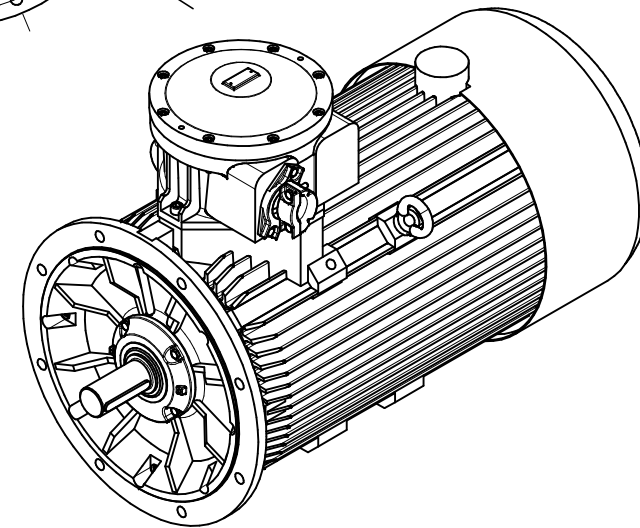
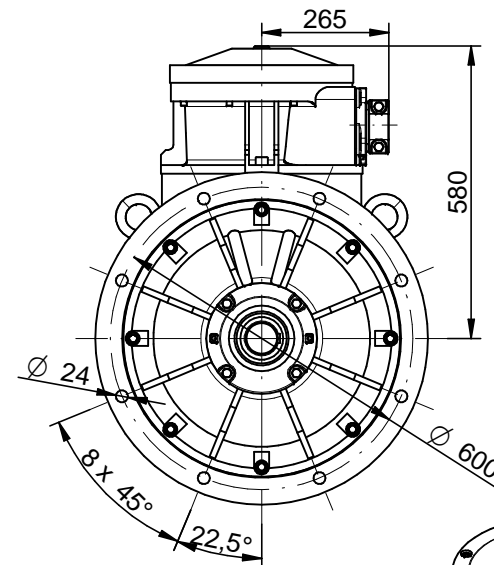
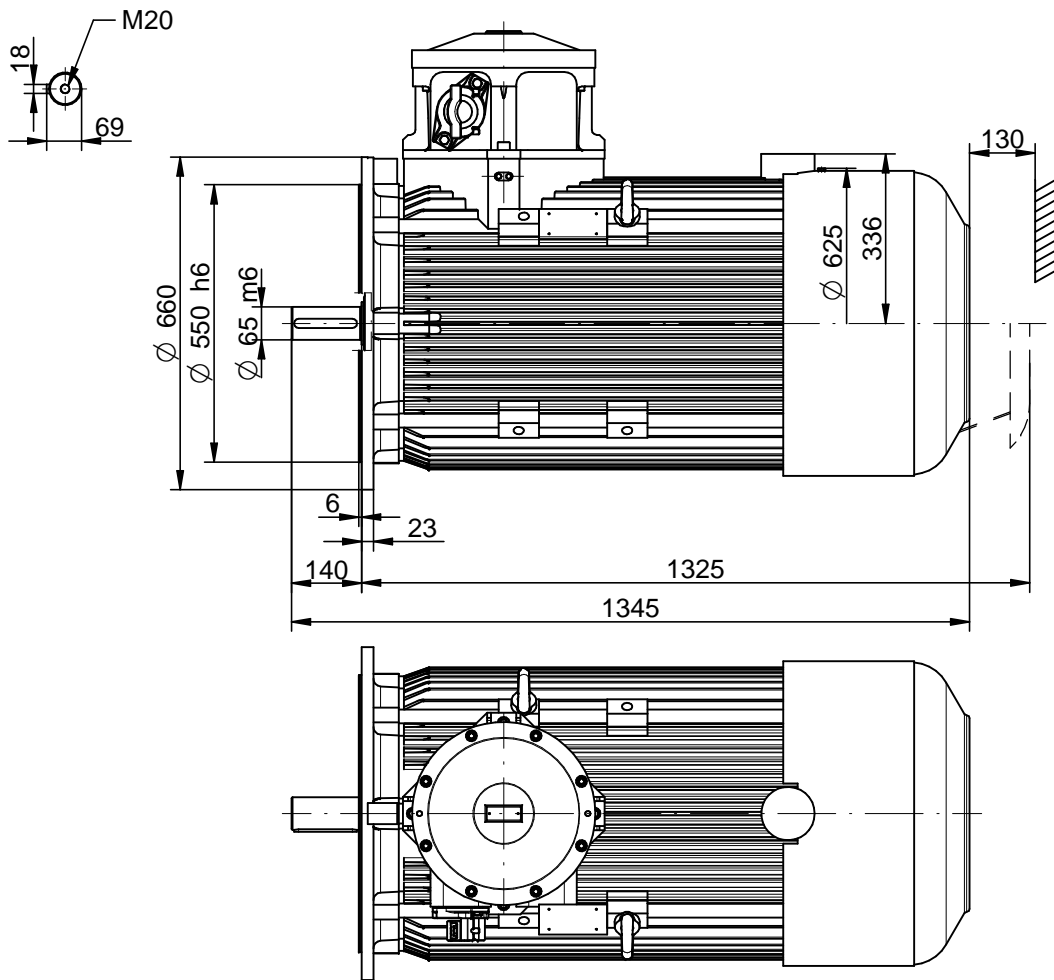
2022-05-02

Drawing no.

S(35,36)-(600-659)-000

Scale

1:15



CELMA
indukta

Cantoni®
GROUP

Motor type

cSTKe(b)315M2(B,C)-N-IE(2,3)

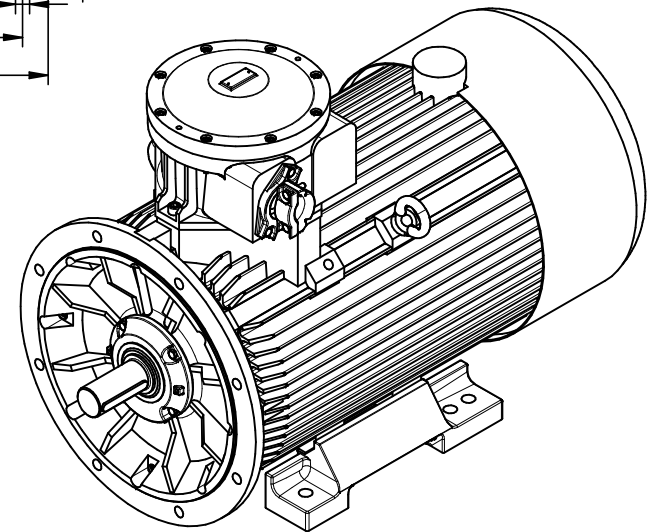
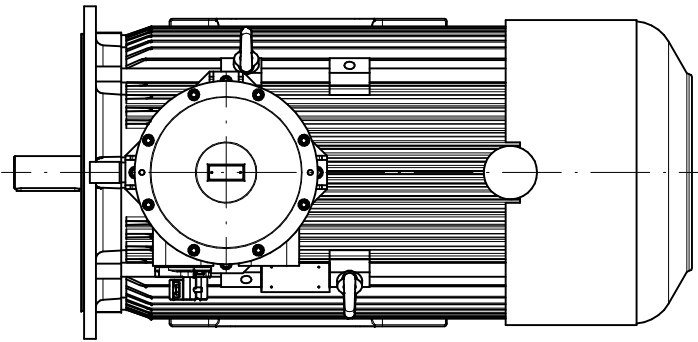
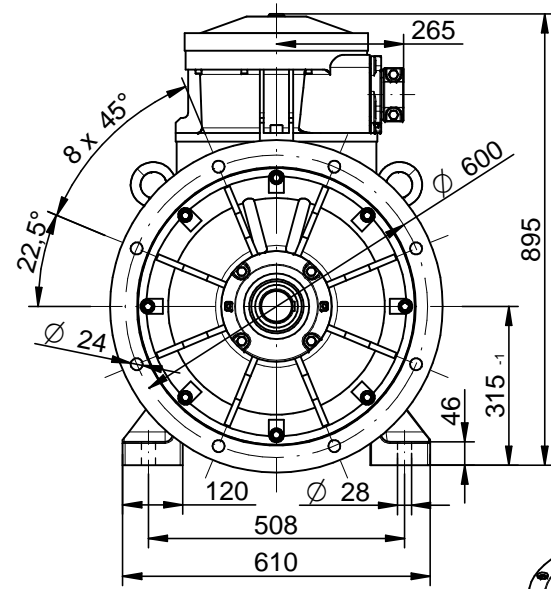
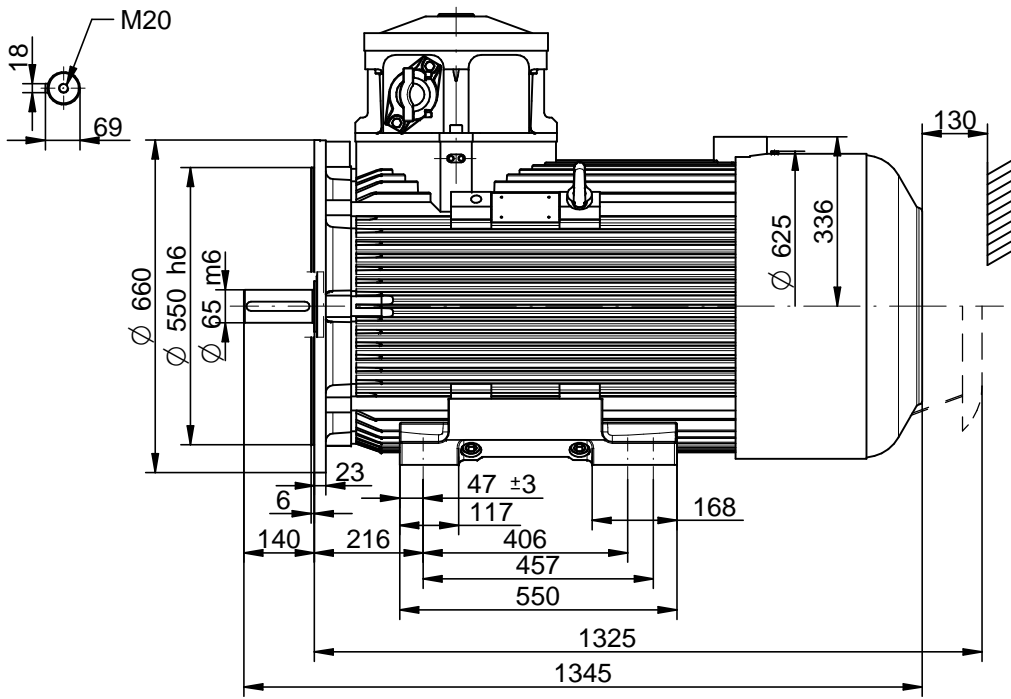
2022-04-25

Drawing no.

S(35,36)-(600-659)-000

Scale

1:15



CELMA
indukta

Cantoni®
GROUP

Motor type

cSTLe(b)315M2(B,C)-N-IE(2,3)

2022-04-27

Drawing no.

S(35,36)-(600-659)-000

Scale

1:15