

**CELMA**  
indukta

*Cantoni*  
GROUP

Motor type

**(E)cSTe(b)132(S,M)(2-8)-IE(2,3)**

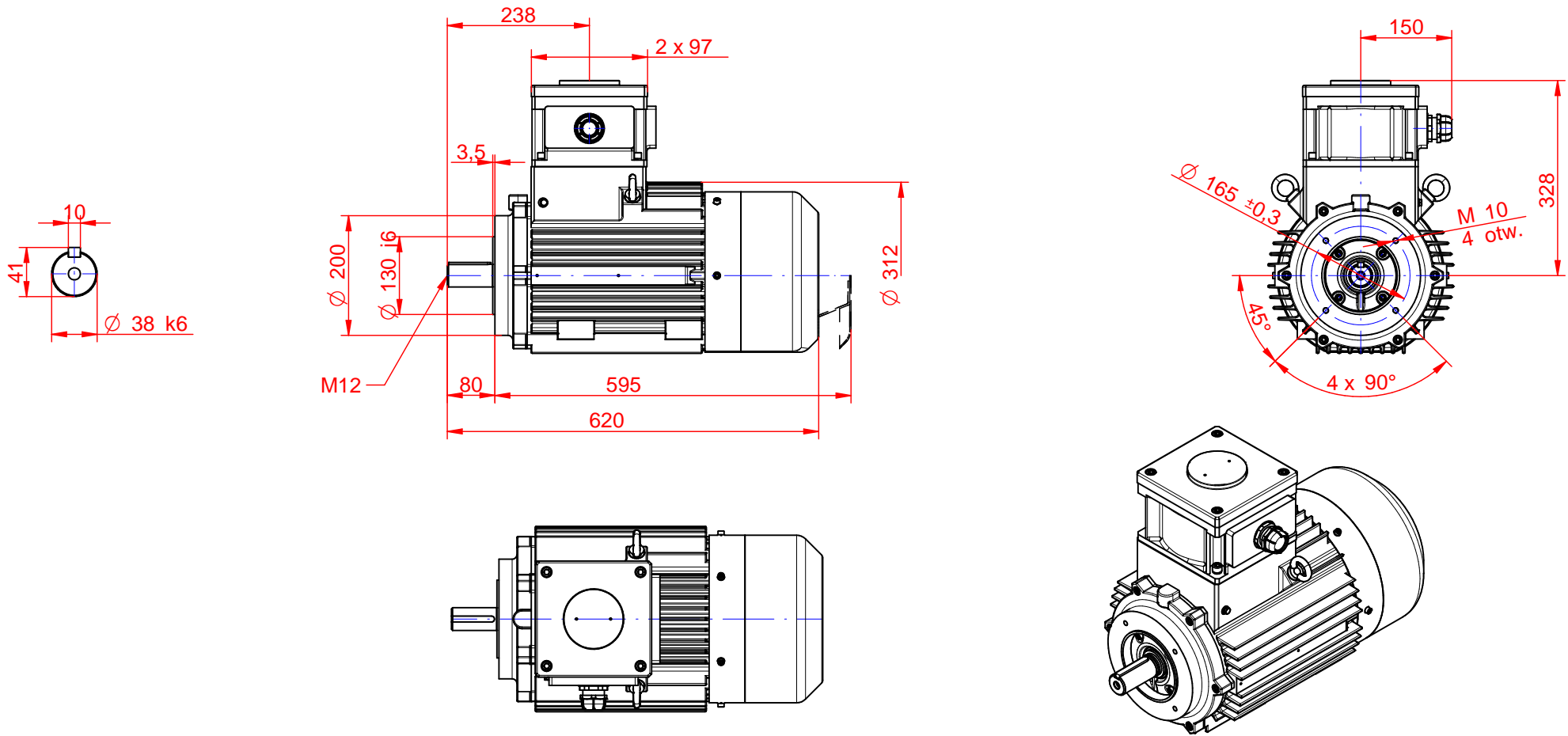
2022-02-23

Drawing no.

**S(35,36)-(200-241)-000**

Scale

**1:10**



**CELMA**  
indukta

*Cantoni*  
GROUP

Motor type

**(E)cSTK1e(b)132(S,M)(2-8)-IE(2,3)**

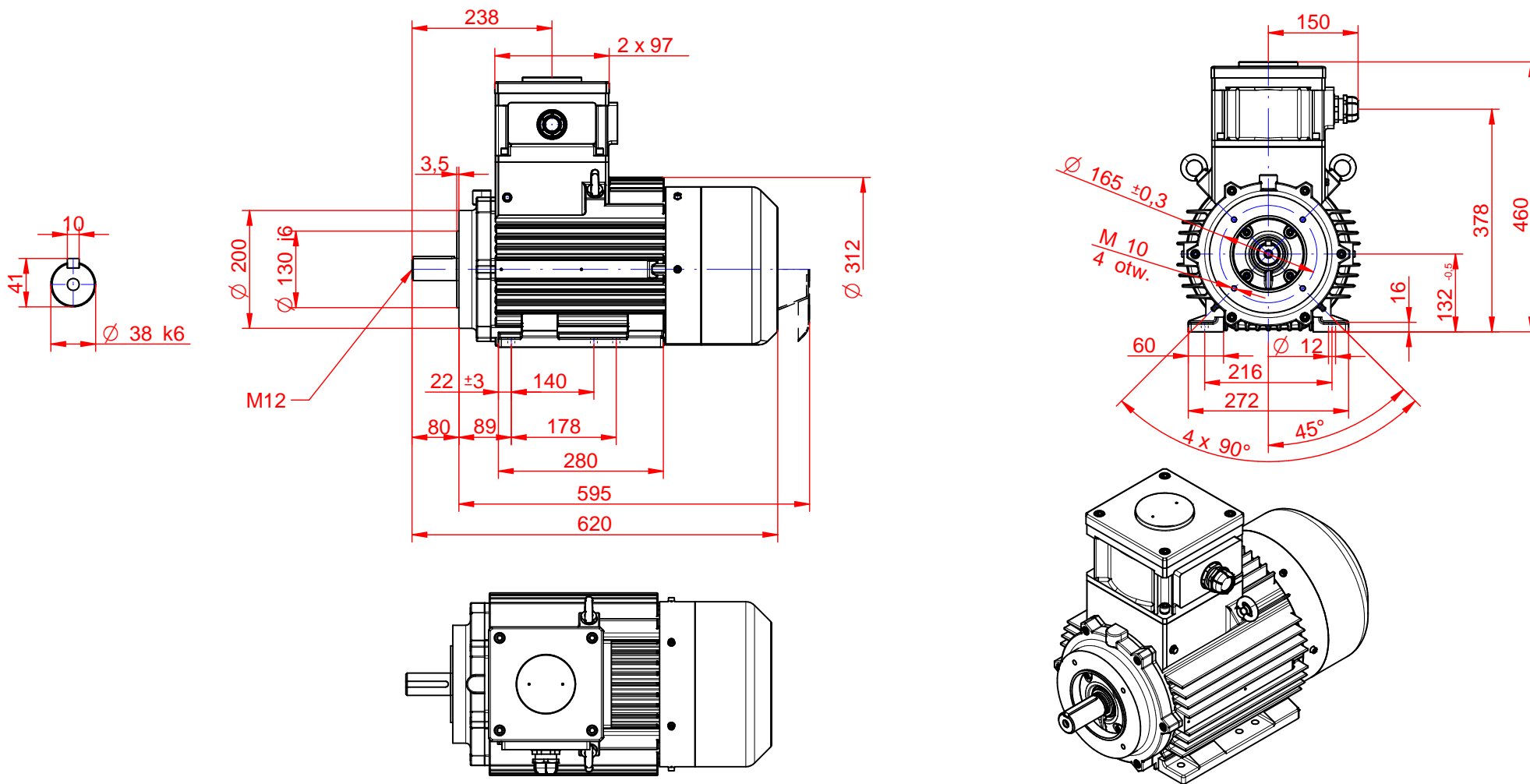
2022-02-23

Drawing no.

**S(35,36)-(200-241)-000**

Scale

**1:10**



**CELMA**  
indukta

*Cantoni*  
GROUP

Motor type

**(E)cSTL1e(b)132(S,M)(2-8)-IE(2,3)**

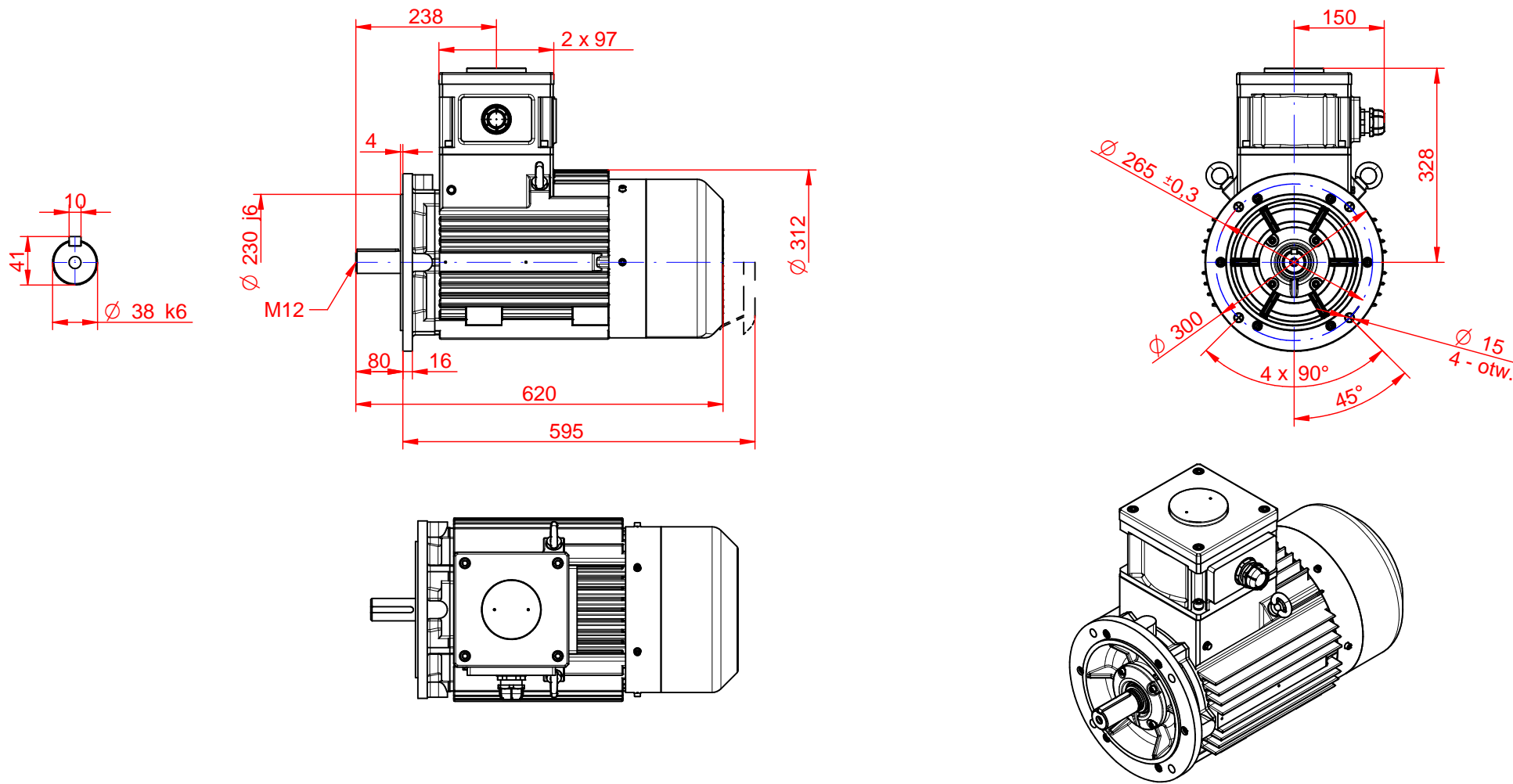
2022-02-23

Drawing no.

**S(35,36)-(200-241)-000**

Scale

**1:10**



**CELMA**  
indukta

*Cantoni*  
GROUP

Motor type

**(E)cSTKe(b)132(S,M)(2-8)-IE(2,3)**

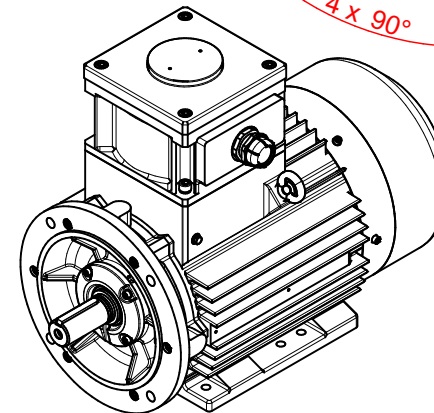
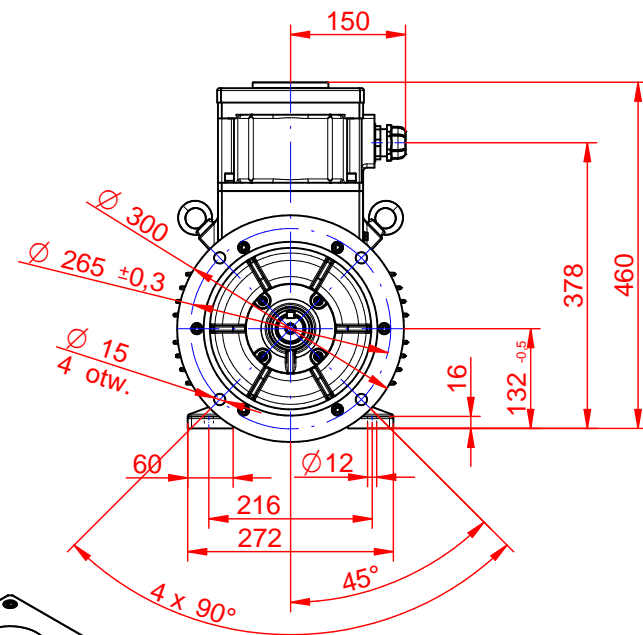
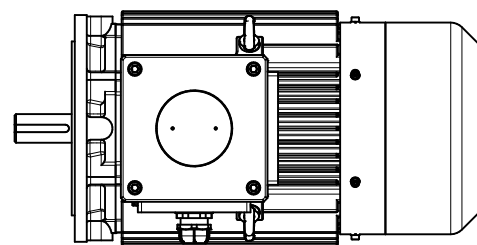
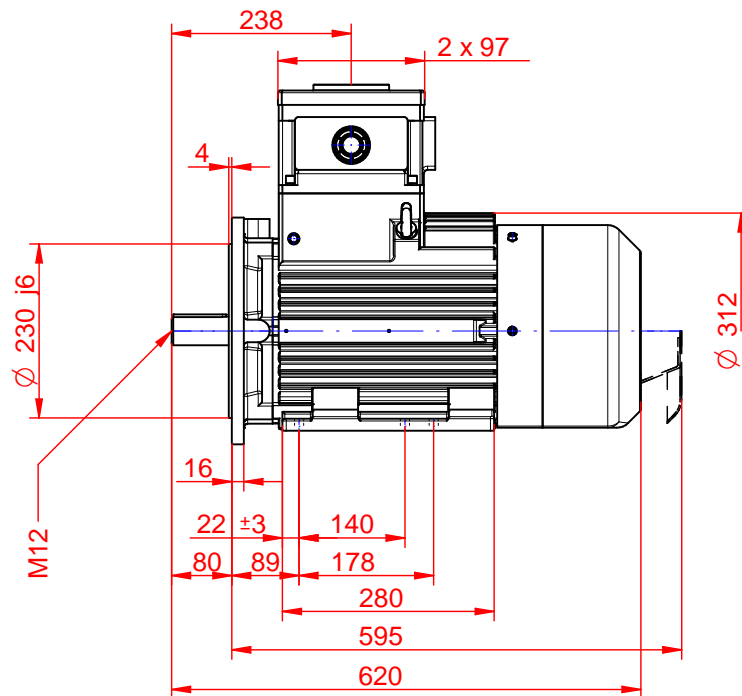
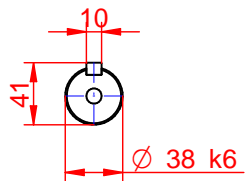
2022-02-23

Drawing no.

**S(35,36)-(200-241)-000**

Scale

**1:10**



**CELMA**  
indukta

*Cantoni*  
GROUP

Motor type

**(E)cSTLe(b)132(S,M)(2-8)-IE(2,3)**

2022-02-23

Drawing no.

**S(35,36)-(200-241)-000**

Scale

**1:10**