

**CELMA**  
**indukta**

*Cantoni*  
GROUP

Motor type

**(E)cSTe(b)160M,L(2-8)AB-IE(2,3)**

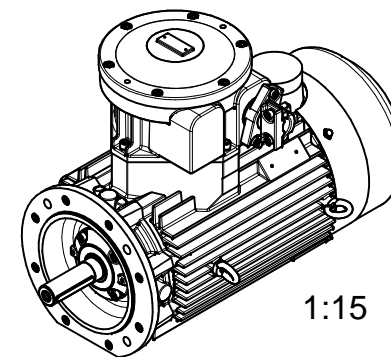
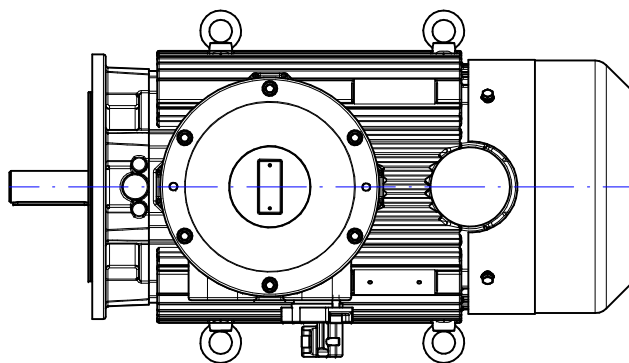
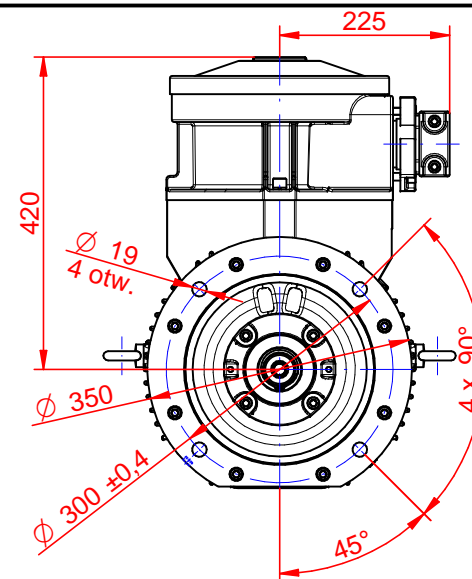
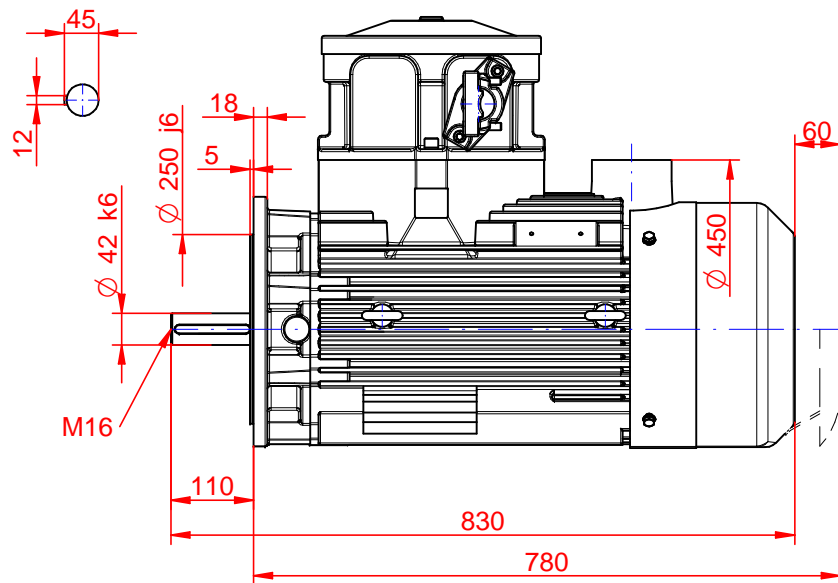
2022-02-07

Drawing no.

**S(35,36)-(250-288)-000**

Scale

**1:10**



**CELMA**  
indukta

*Cantoni*  
GROUP

Motor type

**(E)cSTKe(b)160M,L(2-8)AB-IE(2,3)**

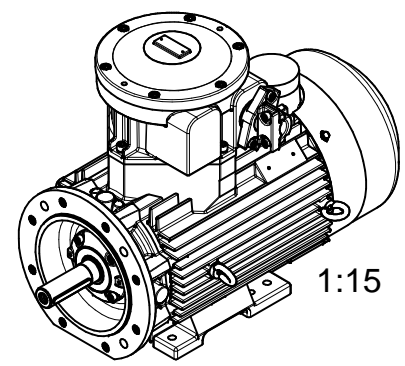
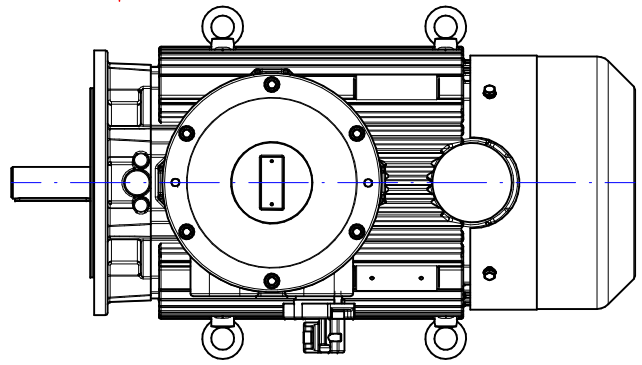
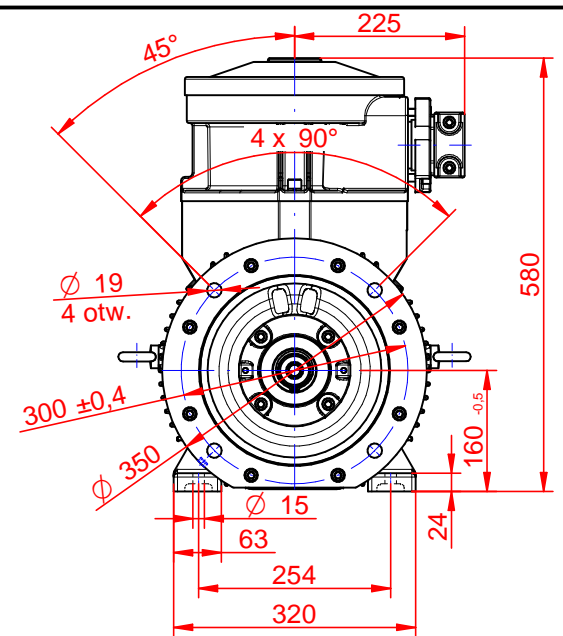
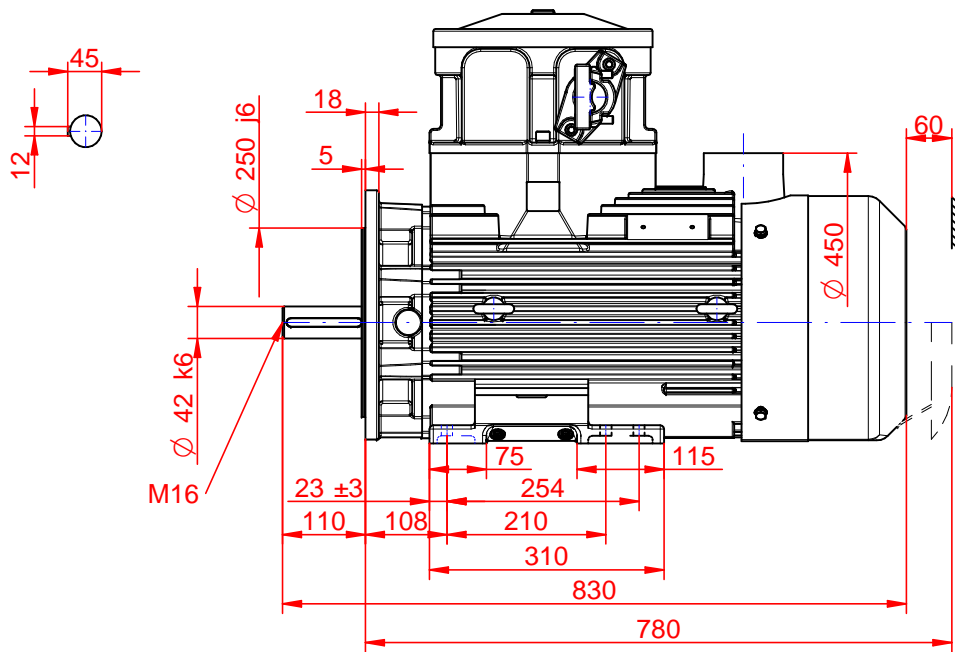
2022-02-07

Drawing no.

**S(35,36)-(250-288)-000**

Scale

**1:10**



**CELMA**  
**indukta**

*Cantoni*  
GROUP

Motor type

**(E)cSTLe(b)160M,L(2-8)AB-IE(2,3)**

2022-02-07

Drawing no.

**S(35,36)-(250-288)-000**

Scale

**1:10**