

**CELMA**  
**indukta**

*Cantoni*<sup>®</sup>  
GROUP

Motor type

**4SIE315L4C,L6C**

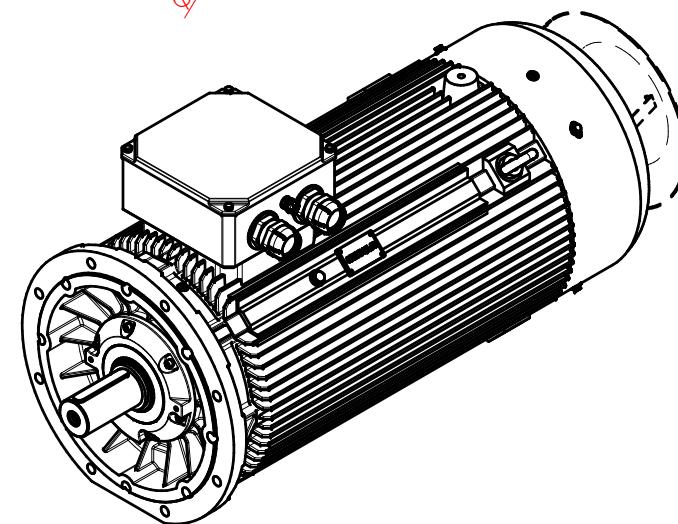
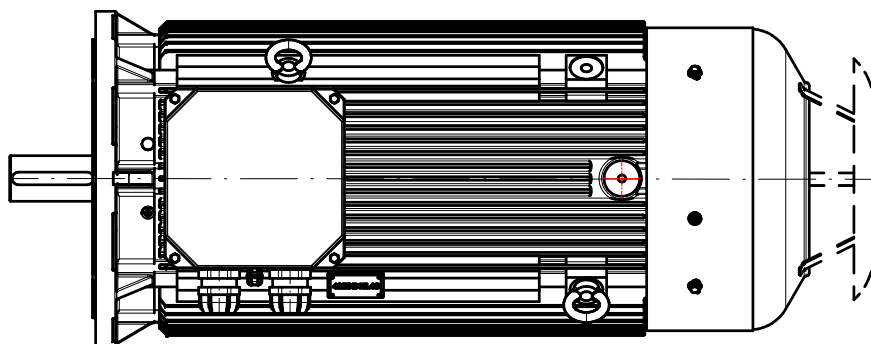
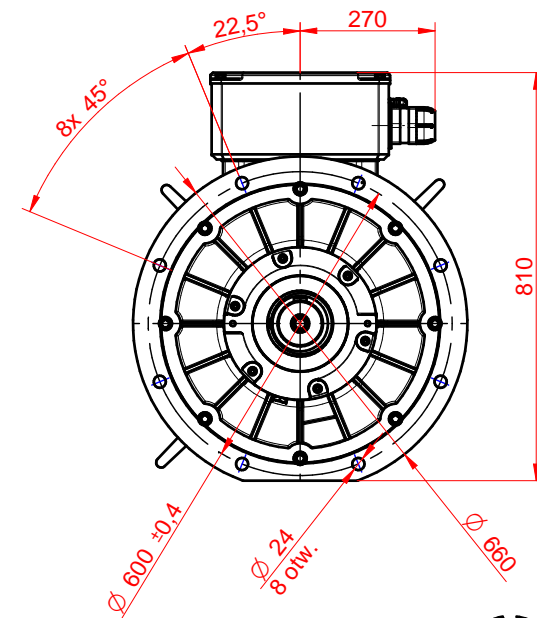
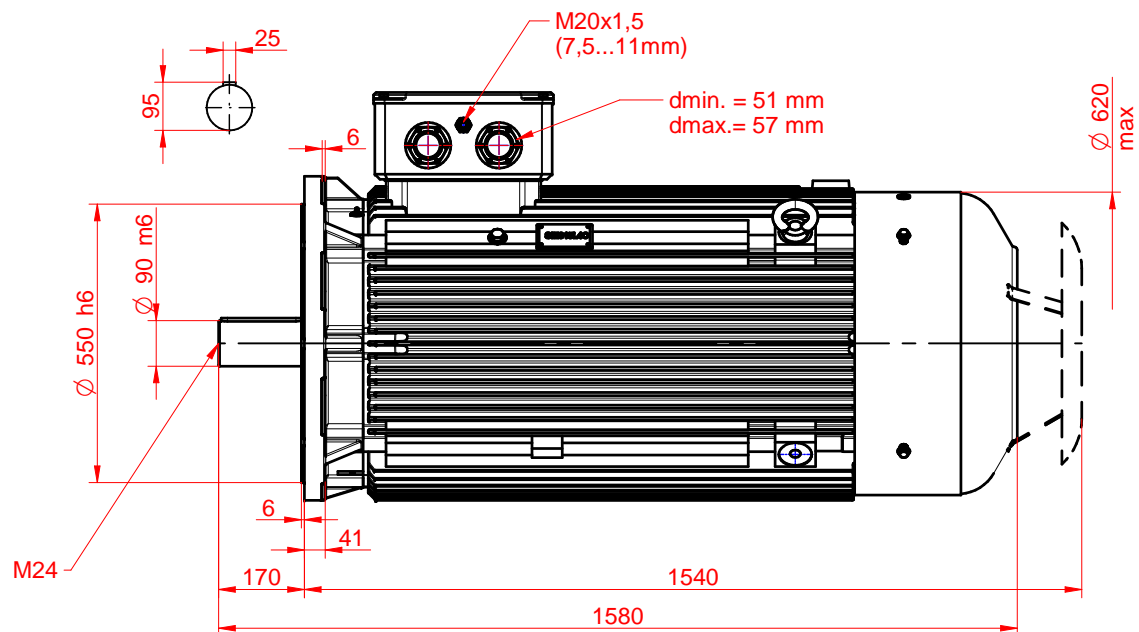
2023-05-10

Drawing no.

**S13-(601,604)-000**

Scale

**1:15**



**CELMA**  
indukta

*Cantoni*®  
GROUP

Motor type

**4SIEK315L4C,L6C**

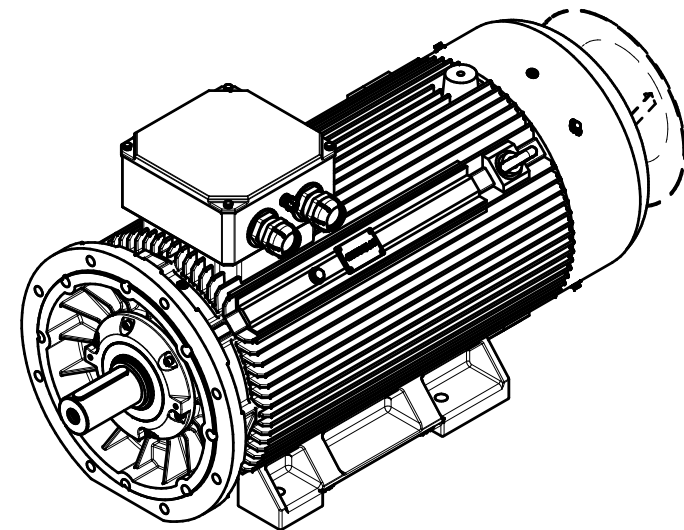
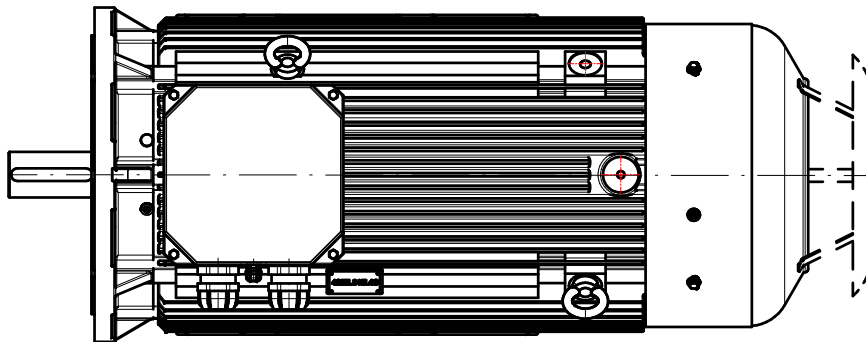
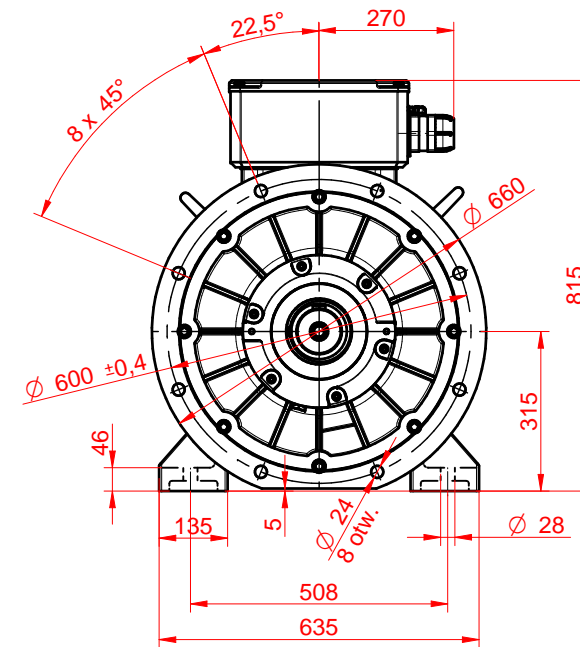
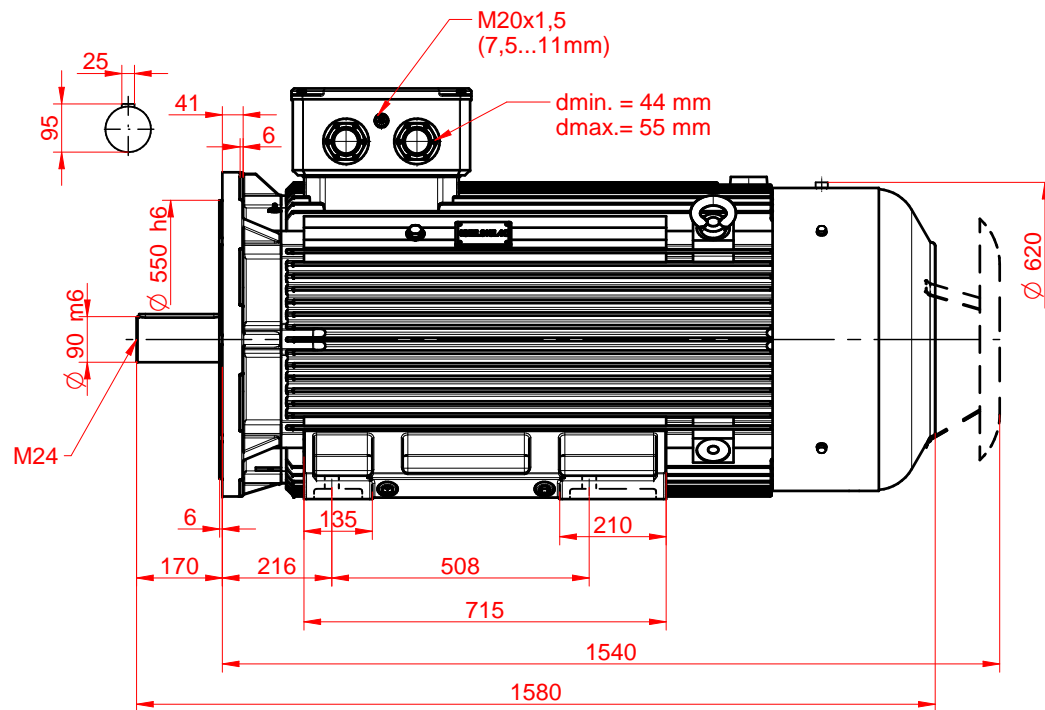
Drawing no.

**S13-(603,606)-000**

2023-05-10

Scale

**1:15**



**CELMA**  
**indukta**

*Cantoni*®  
GROUP

Motor type

**4SIEL315L4C,L6C**

Drawing no.

**S13-(602,605)-000**

2023-05-10

Scale

**1:15**