

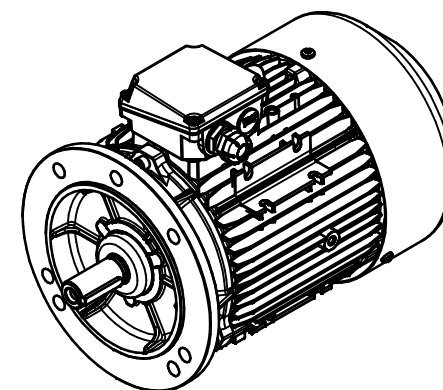
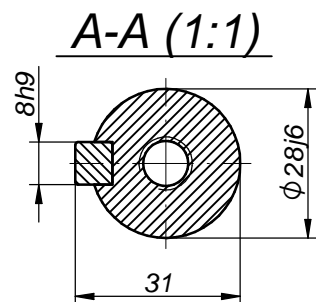
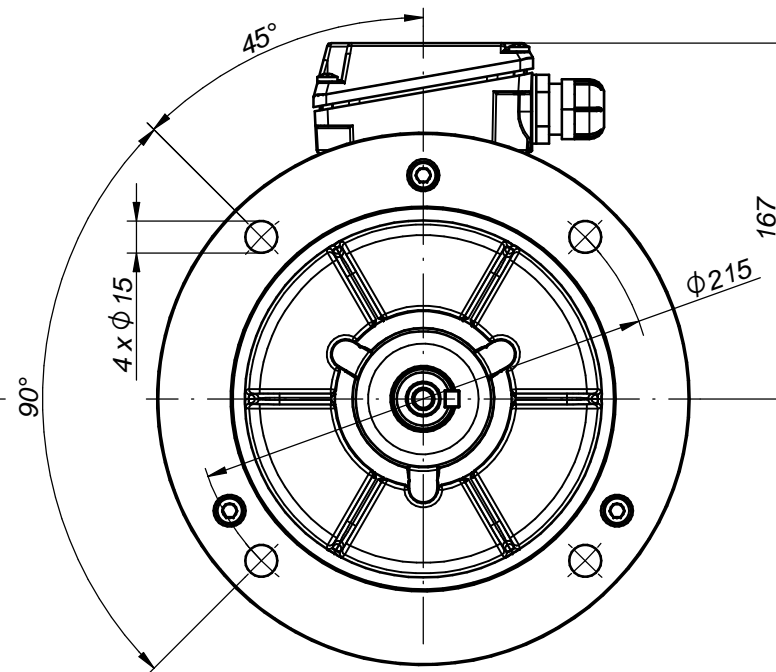
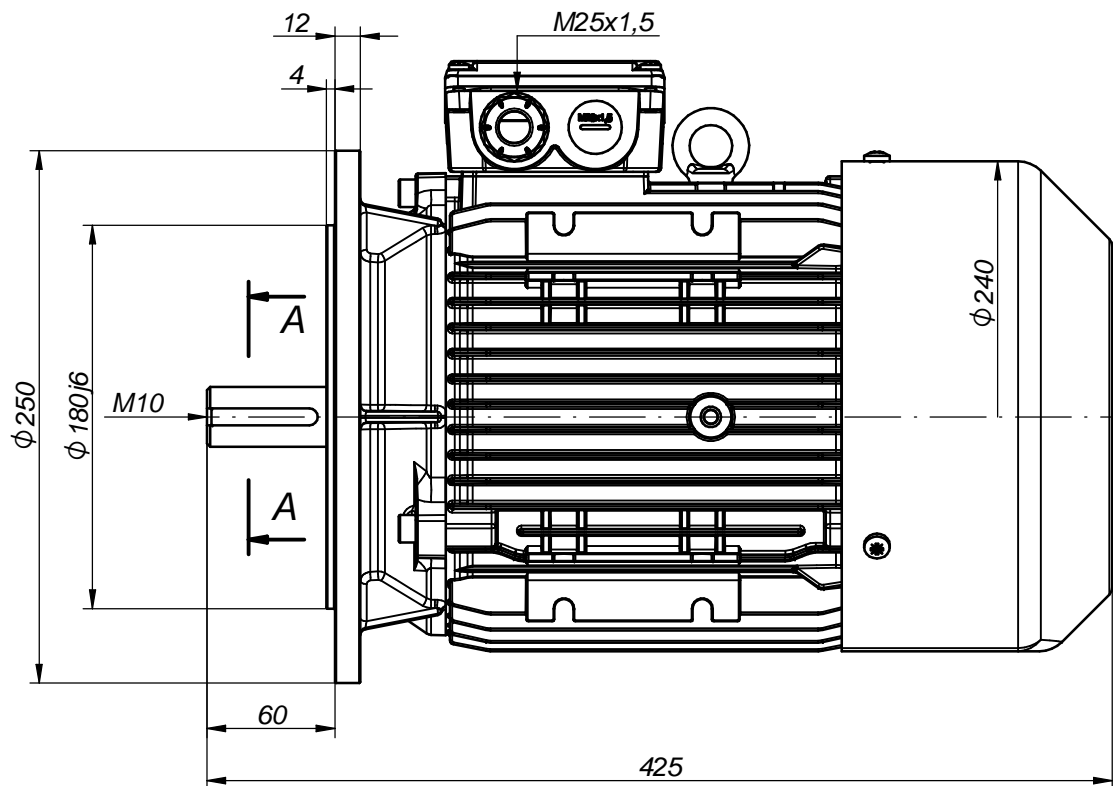
Motor type

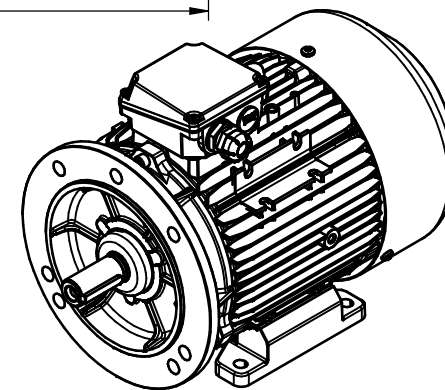
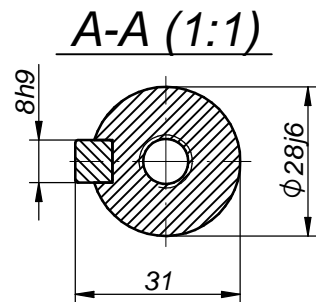
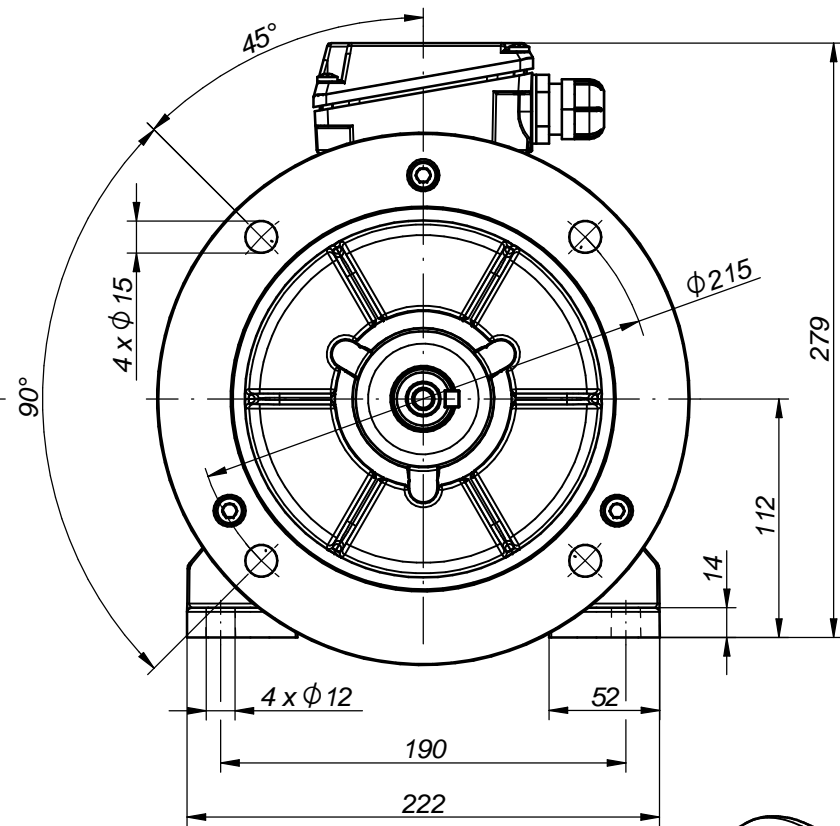
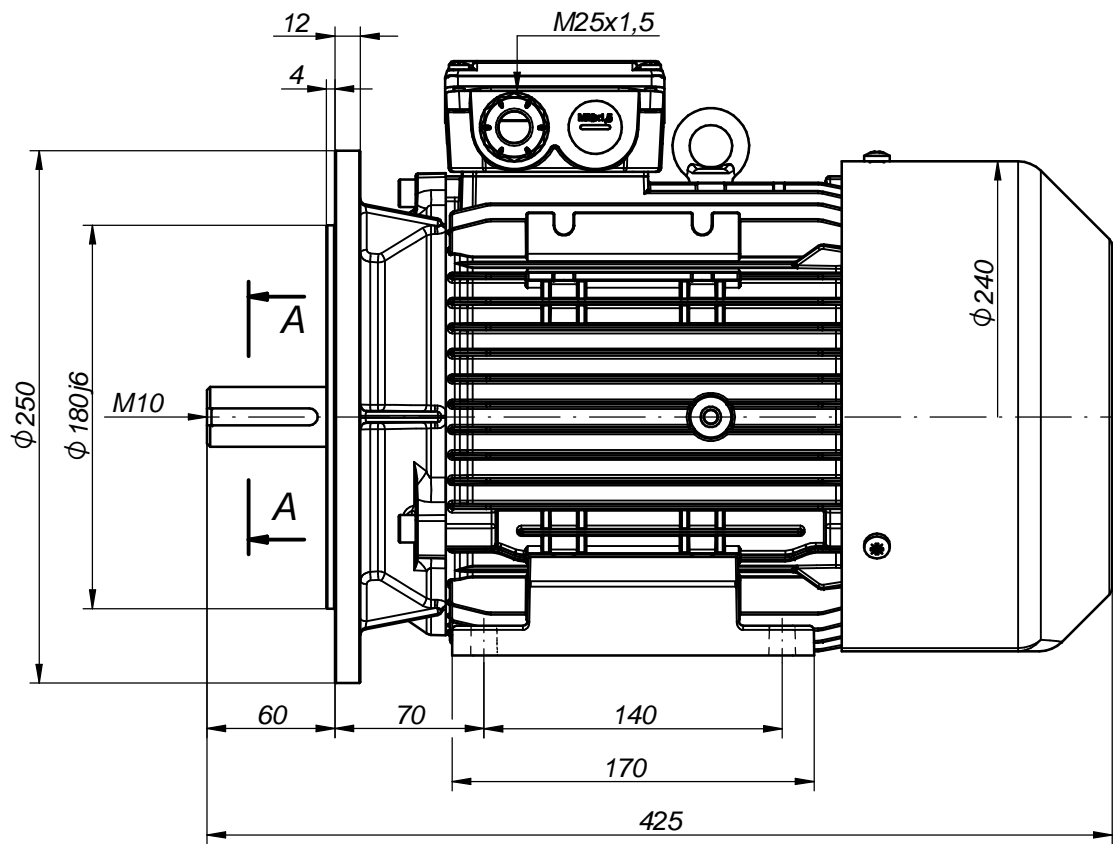
Ex 3SIEK112M4 - 2G,2D,2G&2D - IMB14C1

Drawing no.

S-184-01-2023

Scale





Motor type

Ex 3SIEL112M4 – 2G,2D,2G/2D – IMB35

Drawing no.

S-166-01-2023

Scale