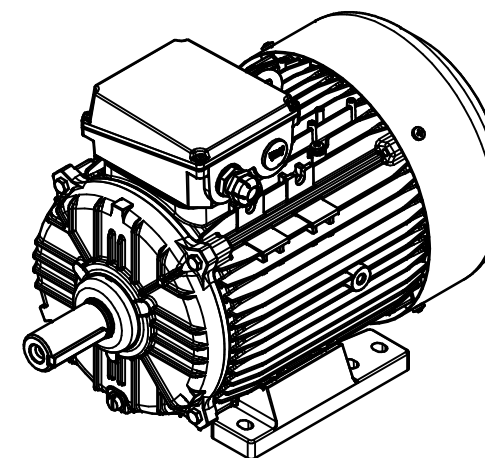
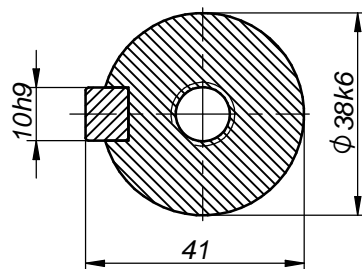
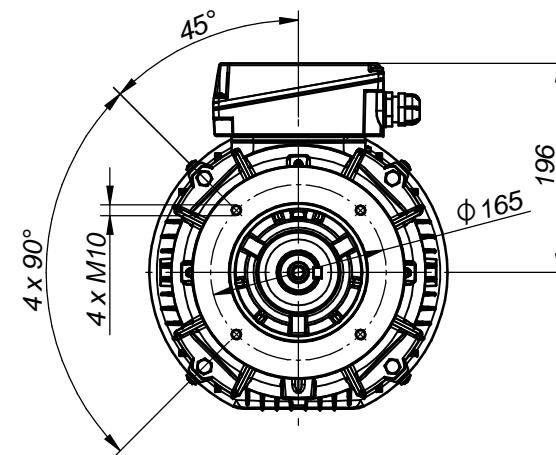
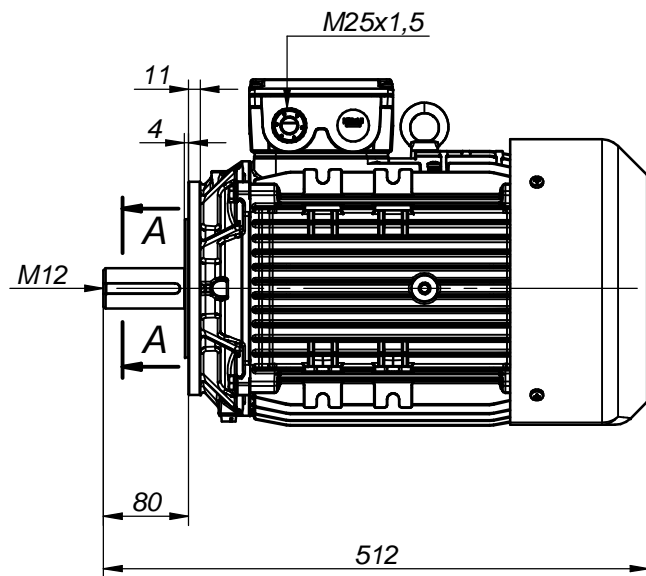
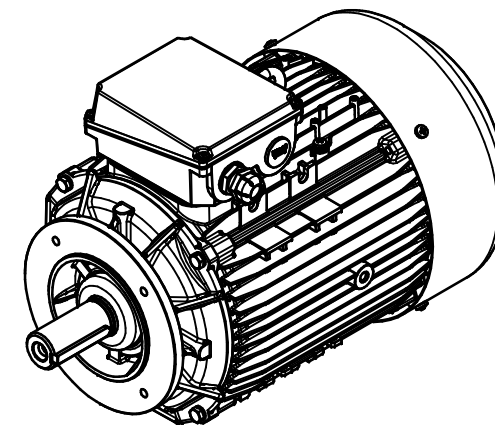
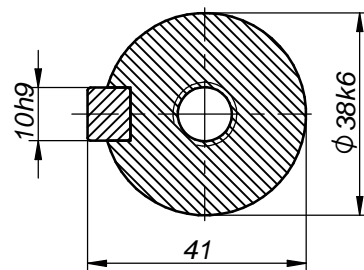


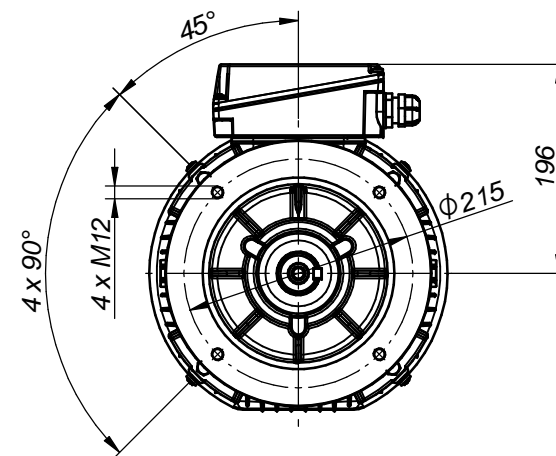
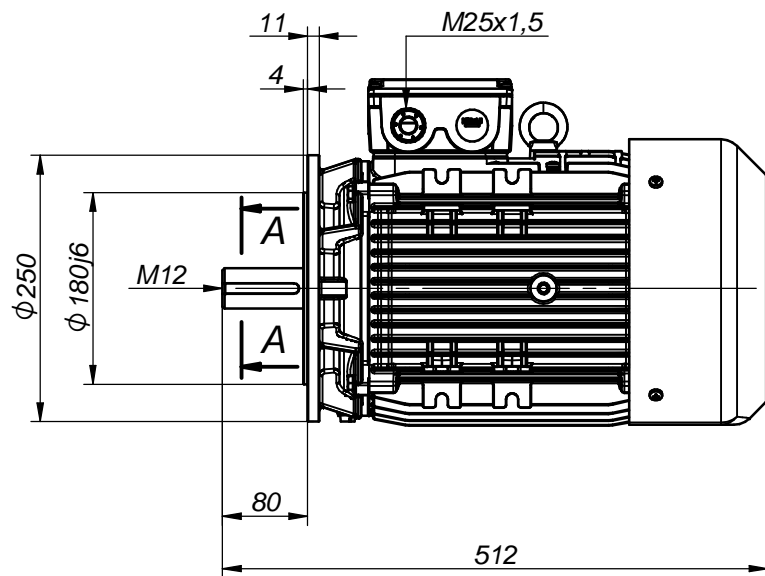
A-A (1:1)



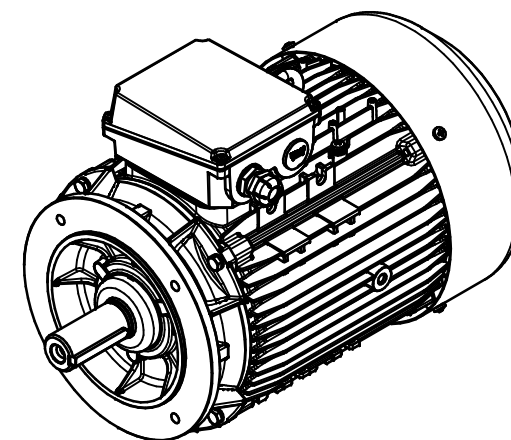
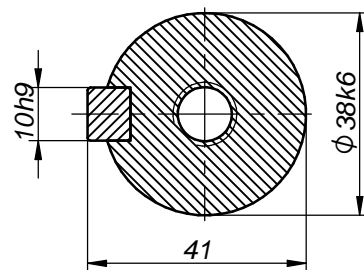


A-A (1:1)





A-A (1:1)



Motor type

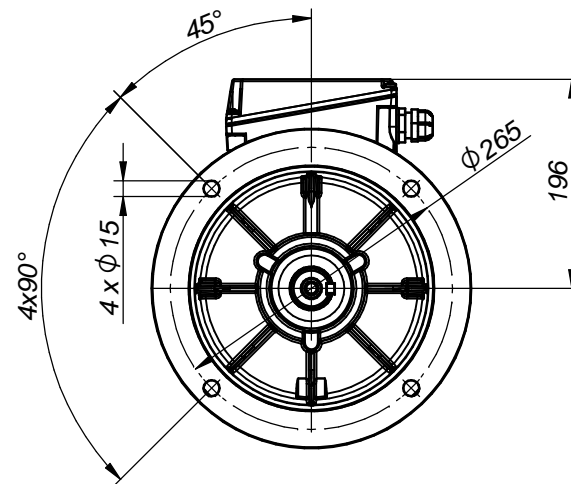
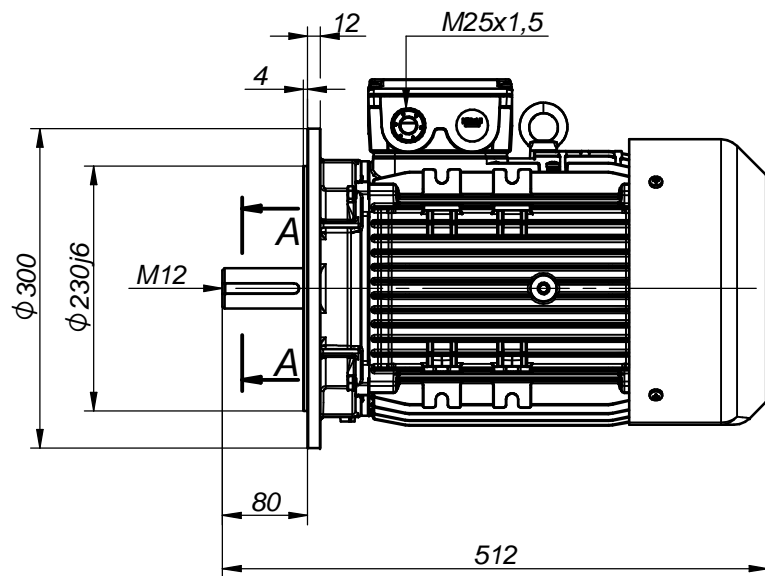
**Ex 3SIEK132S,M - 2G,2D,2G&2D - IMB14C1**

Drawing no.

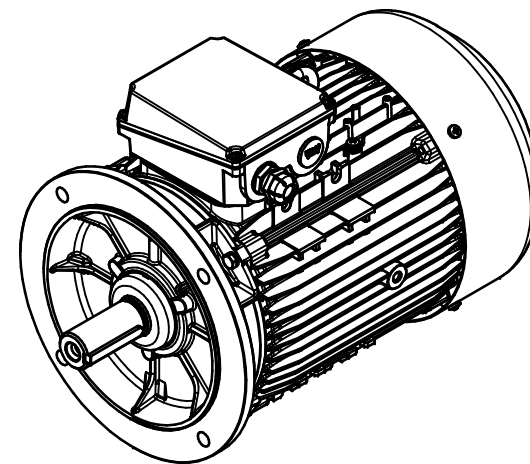
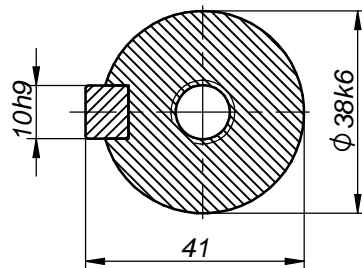
**S-186-01-2023**

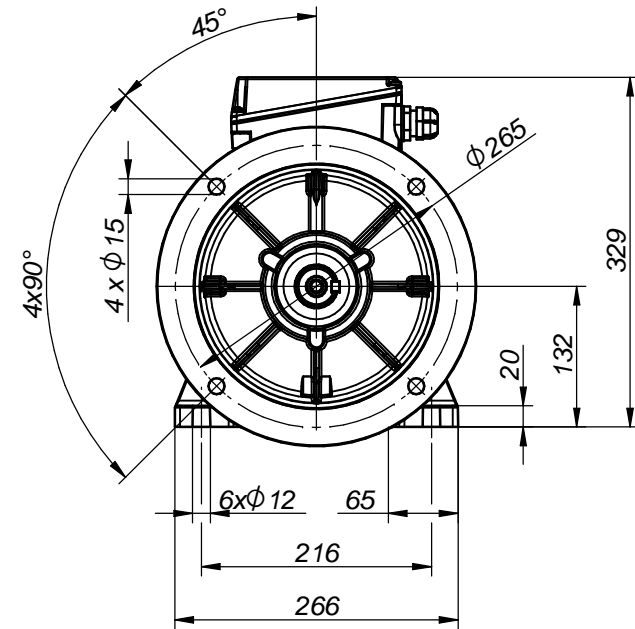
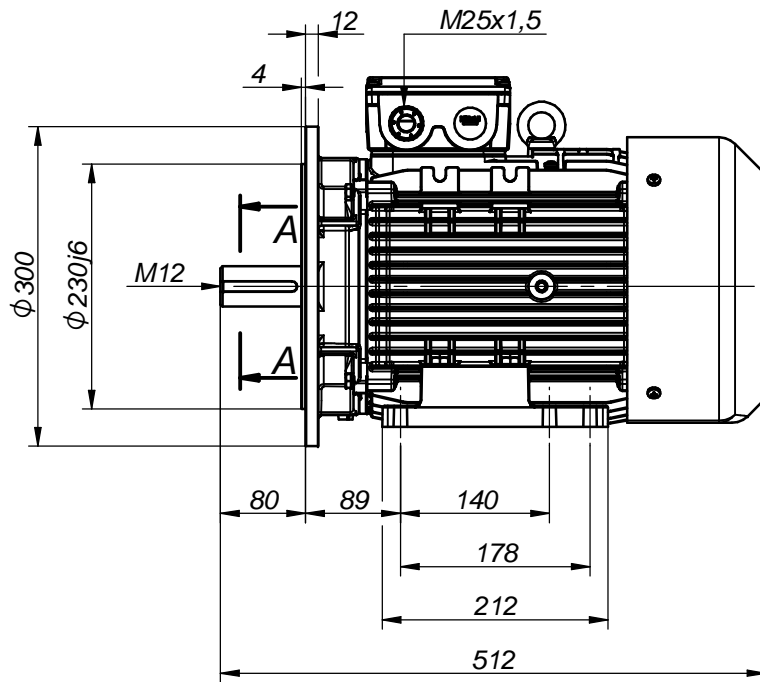
Scale

**1:5**



A-A (1:1)





A-A (1:1)

