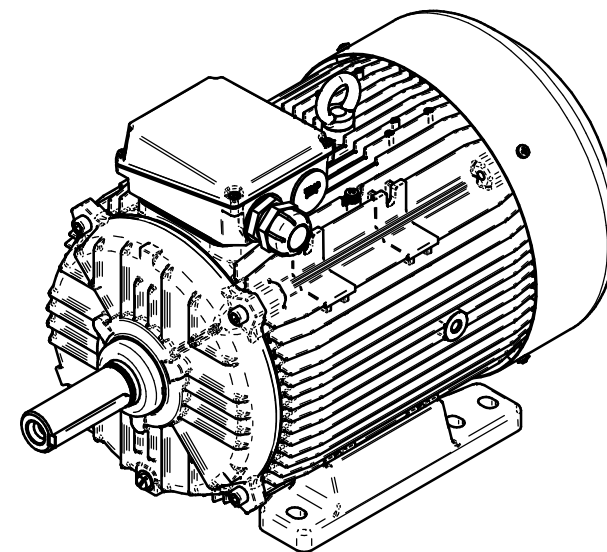
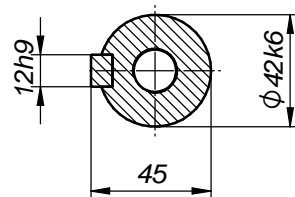


A-A (1:2)



since 1920

CELMA
indukta

since 1878

Cantoni
GROUP

Motor type

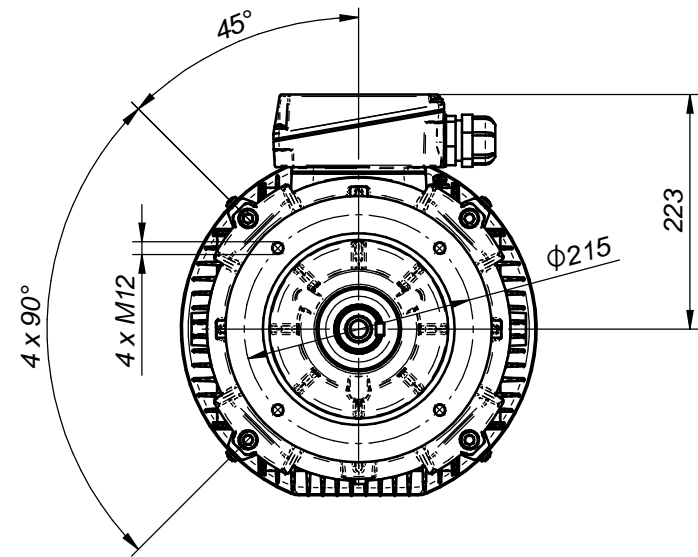
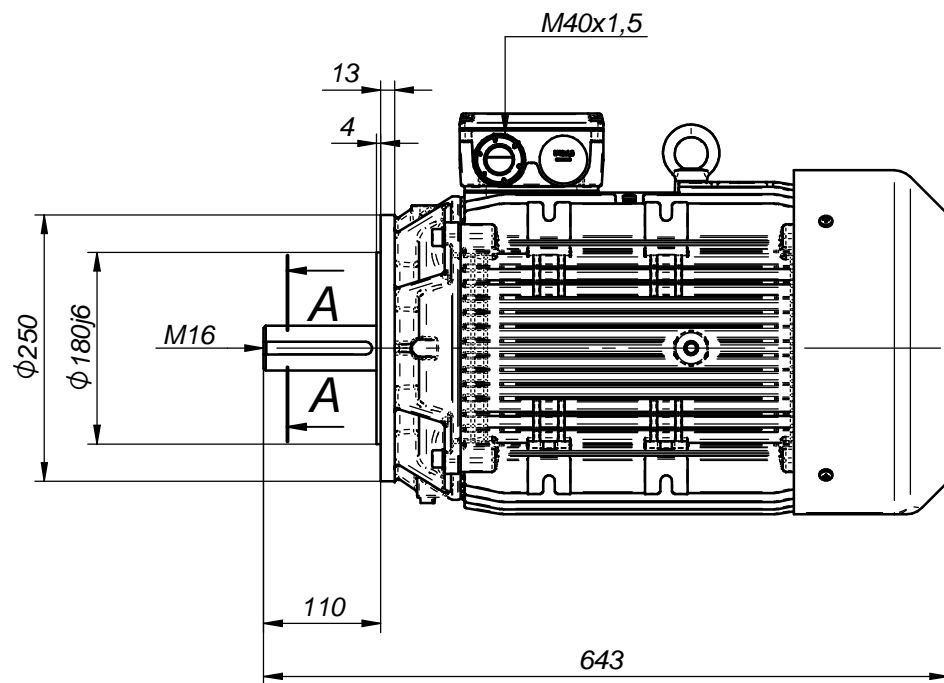
Ex 3SIE160M,L – 2G,2D,2G/2D – IMB3

Drawing no.

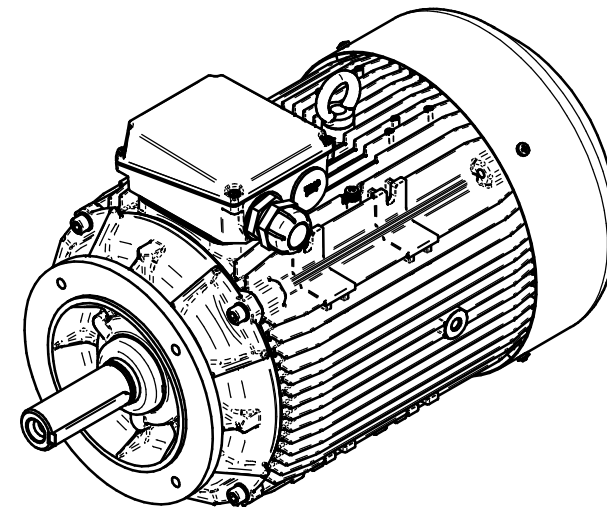
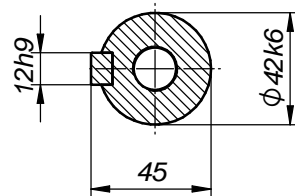
S-150-01-2023

Scale

1:5



A-A (1:2)



Motor type

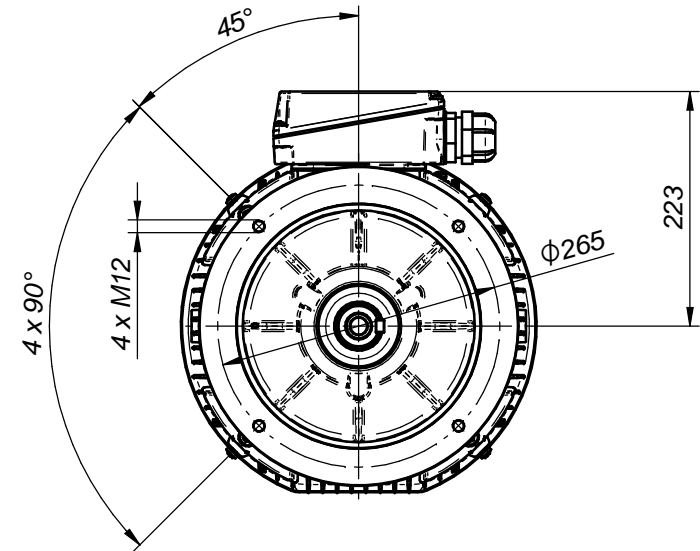
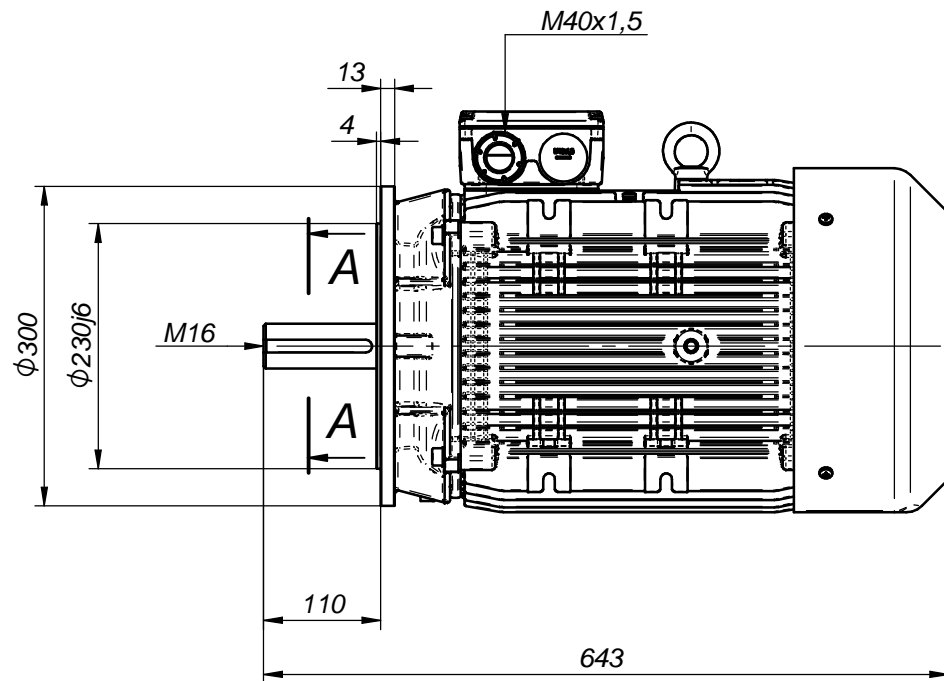
Ex 3SIEK160M,L - 2G,2D,2G&2D - IMB14C2

Drawing no.

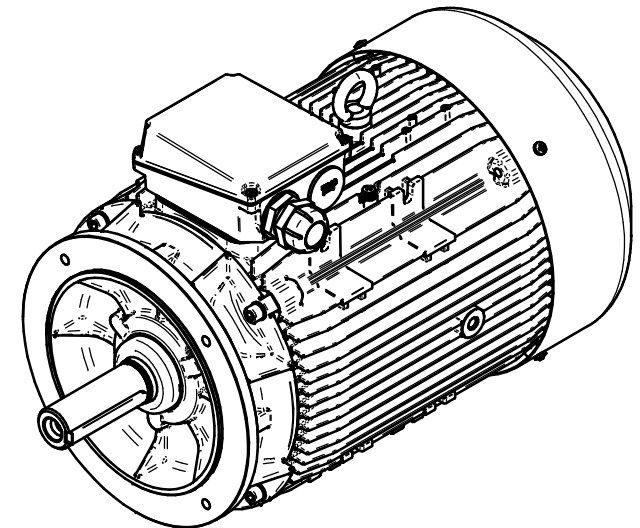
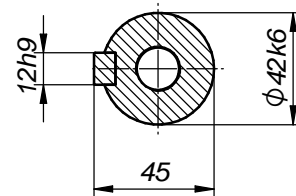
S-189-01-2023

Scale

1:5



A-A (1:2)



Motor type

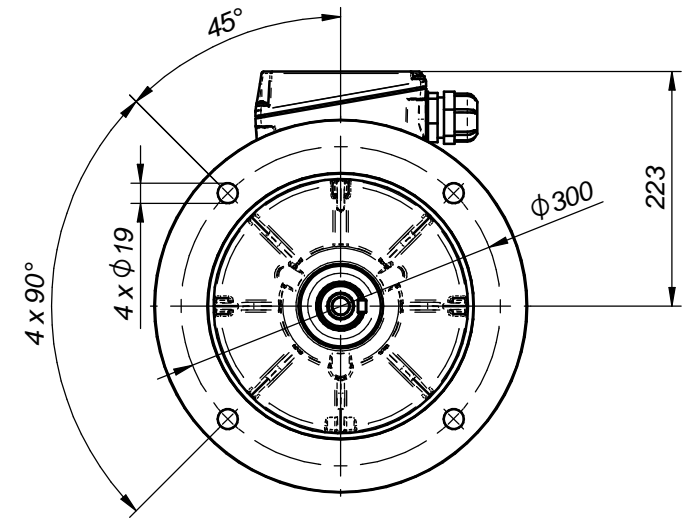
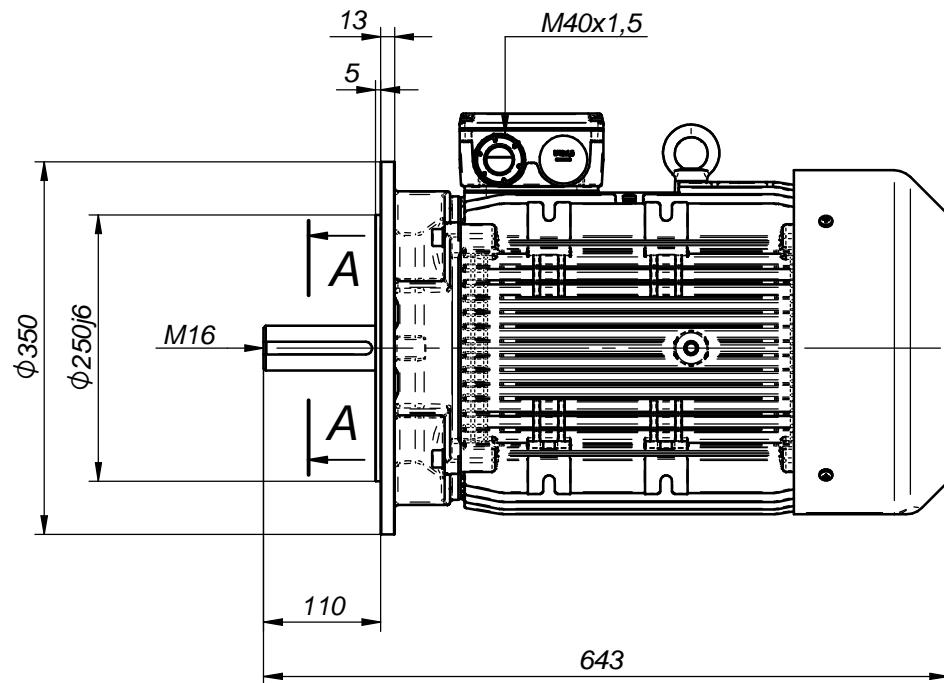
Ex 3SIEK160M,L - 2G,2D,2G&2D - IMB14C1

Drawing no.

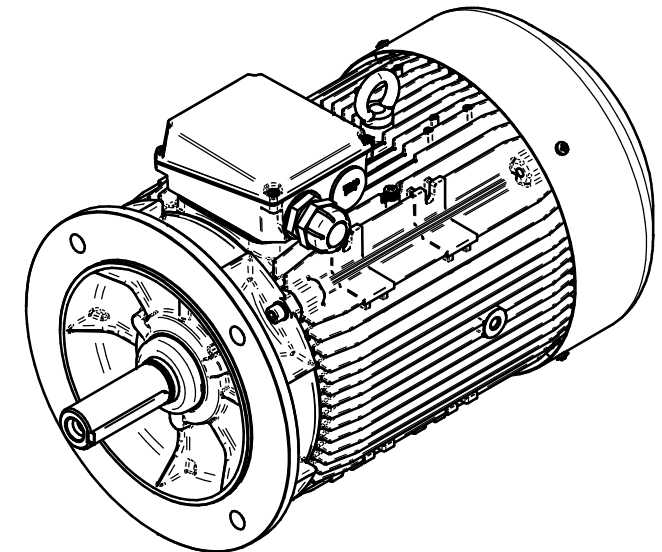
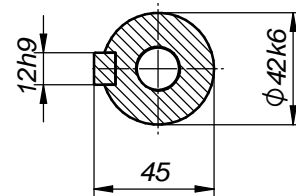
S-188-01-2023

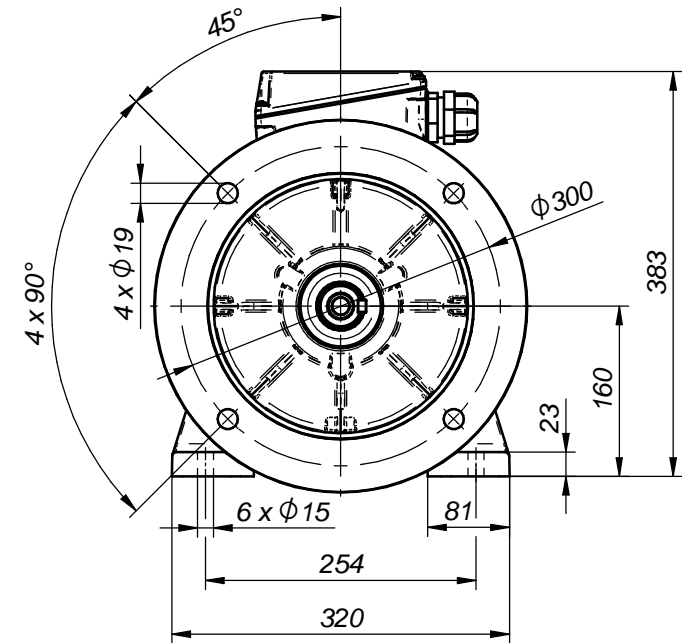
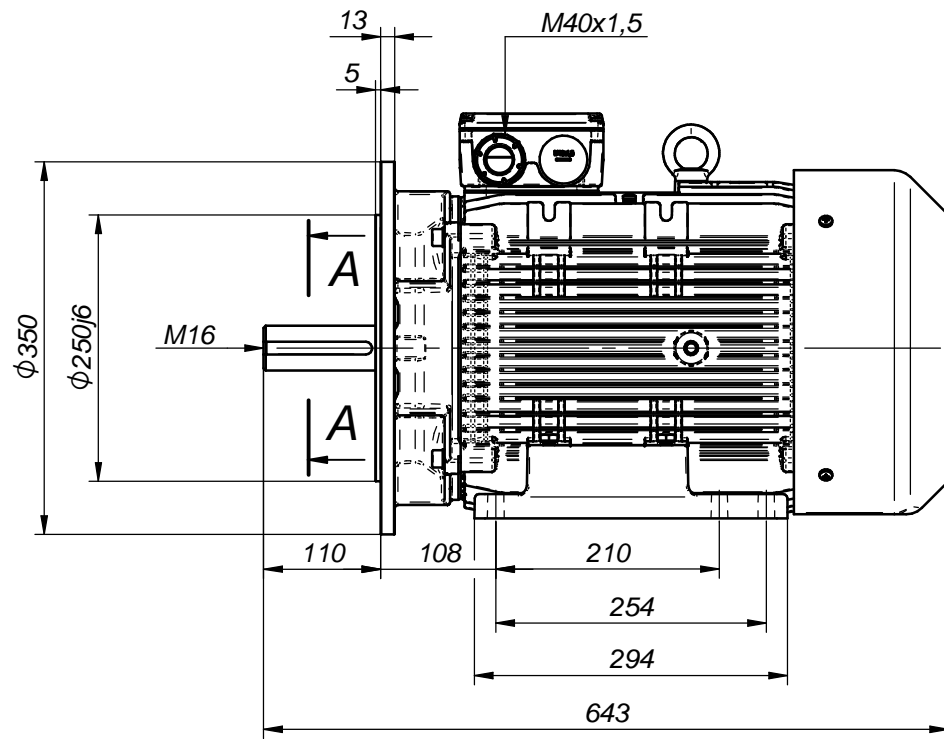
Scale

1:5



A-A (1:2)





A-A (1:2)

