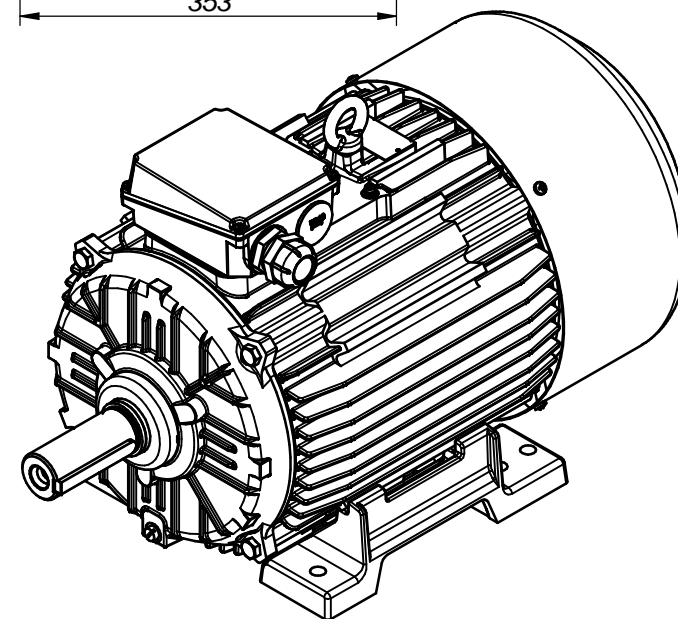
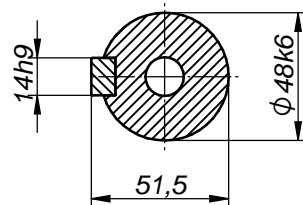


A-A (1:2)



Motor type

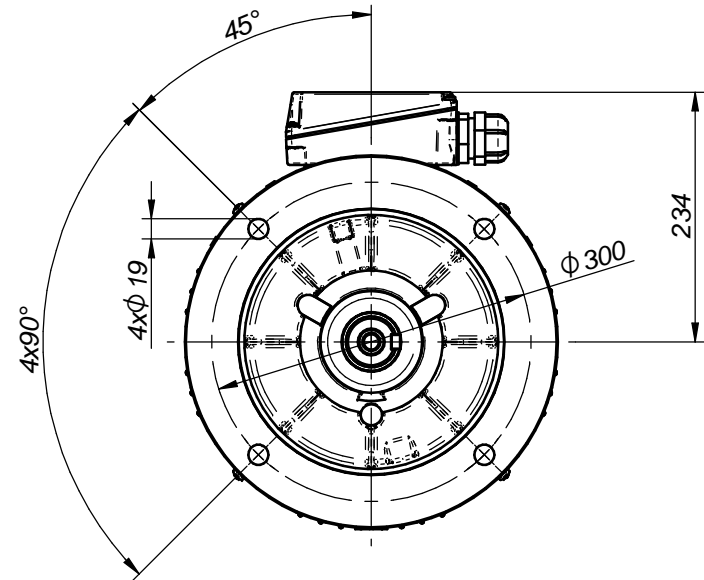
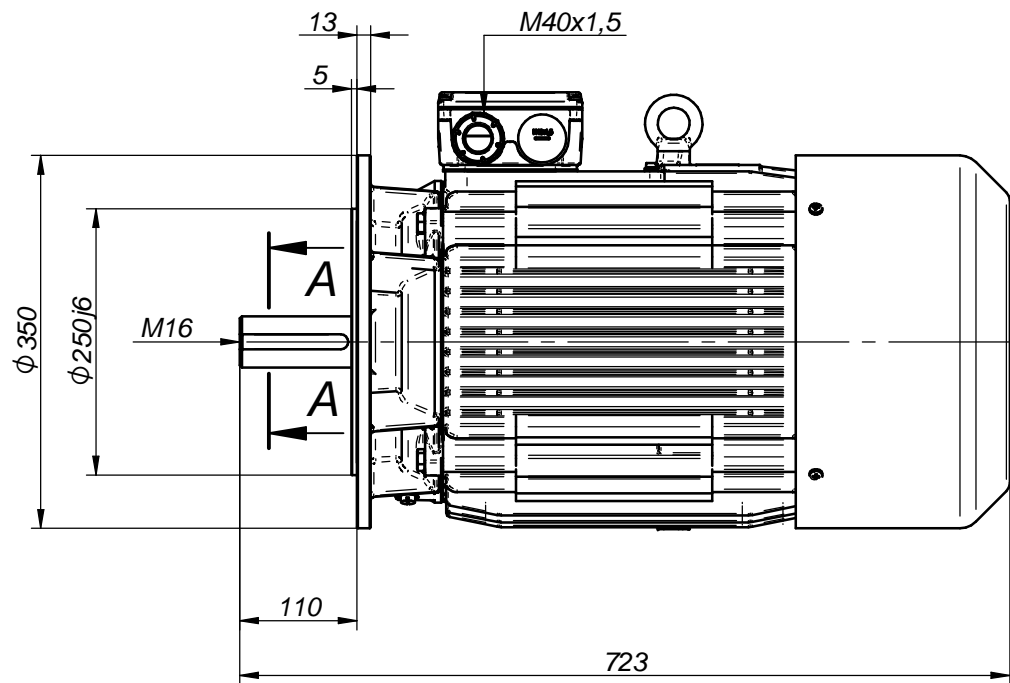
**Ex 3SIE180M,L – 2G,2D,2G/2D – IMB3**

Drawing no.

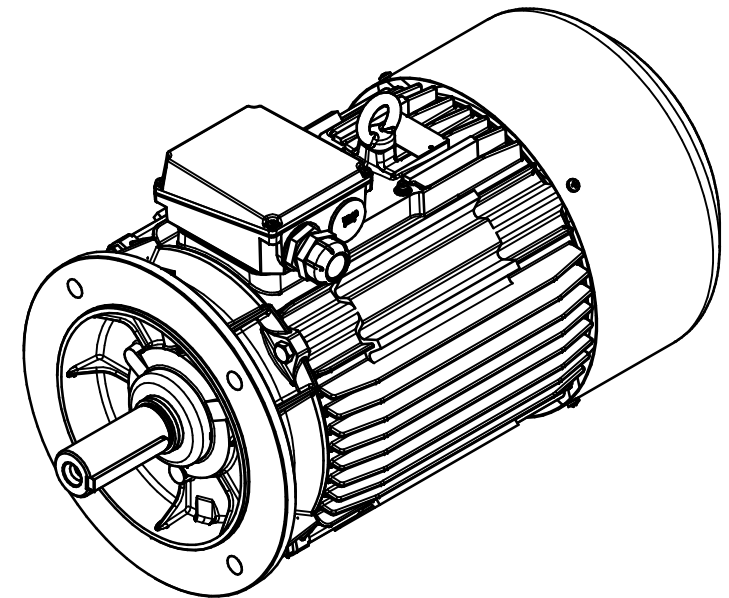
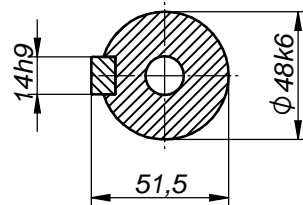
**S-151-01-2023**

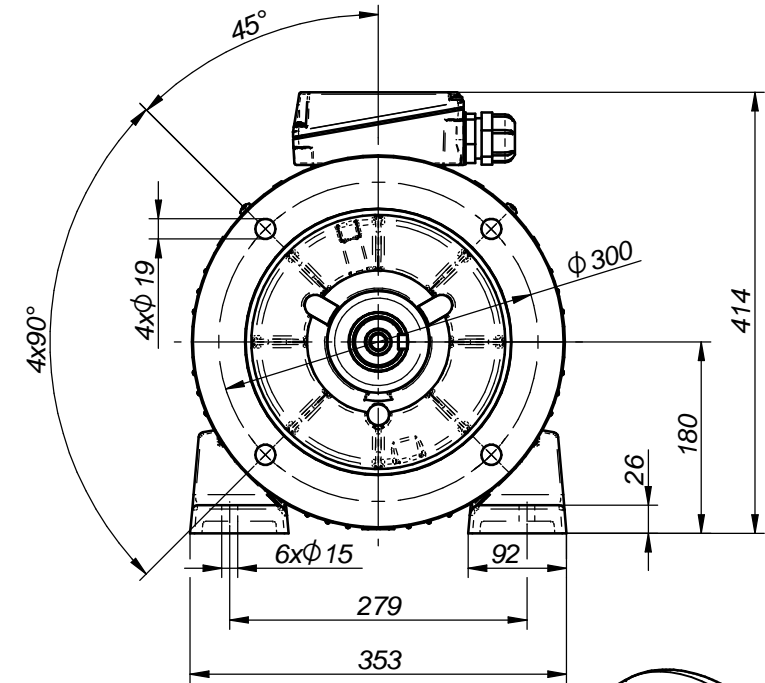
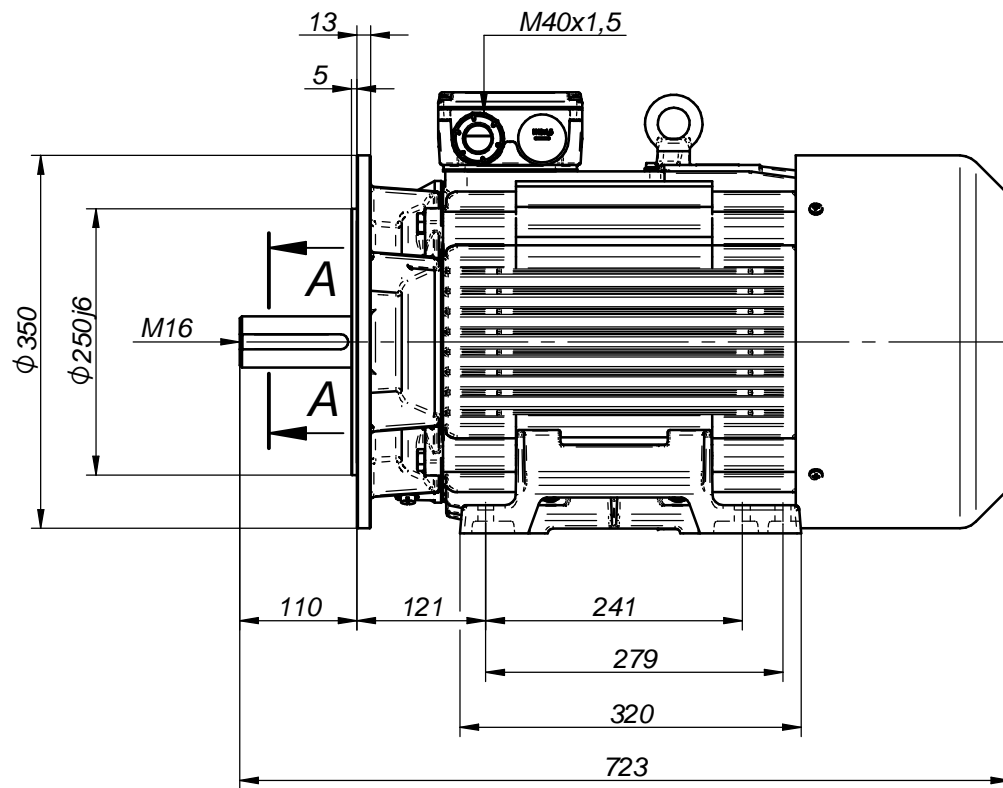
Scale

**1:5**

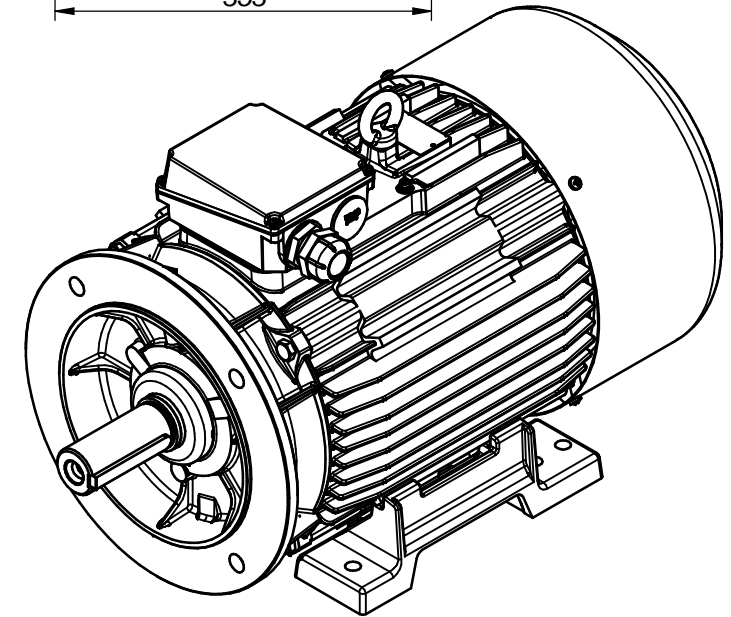
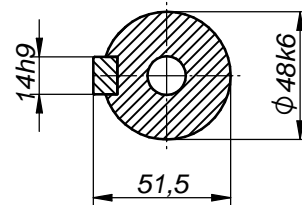


A-A (1:2)





A-A (1:2)



Motor type

**Ex 3SIEL180M,L – 2G,2D,2G/2D – IMB35**

Drawing no.

**S-169-01-2023**

Scale

**1:5**