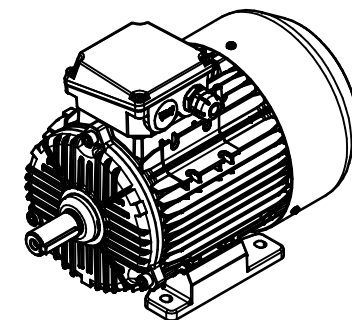
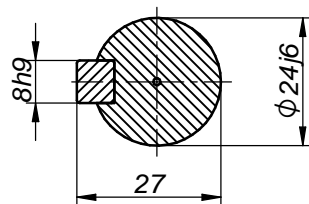
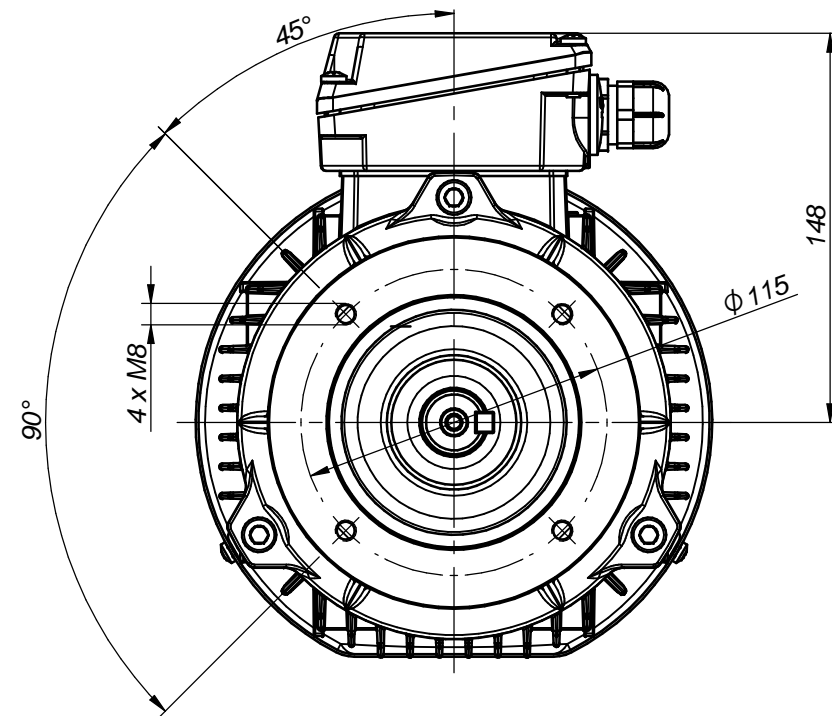
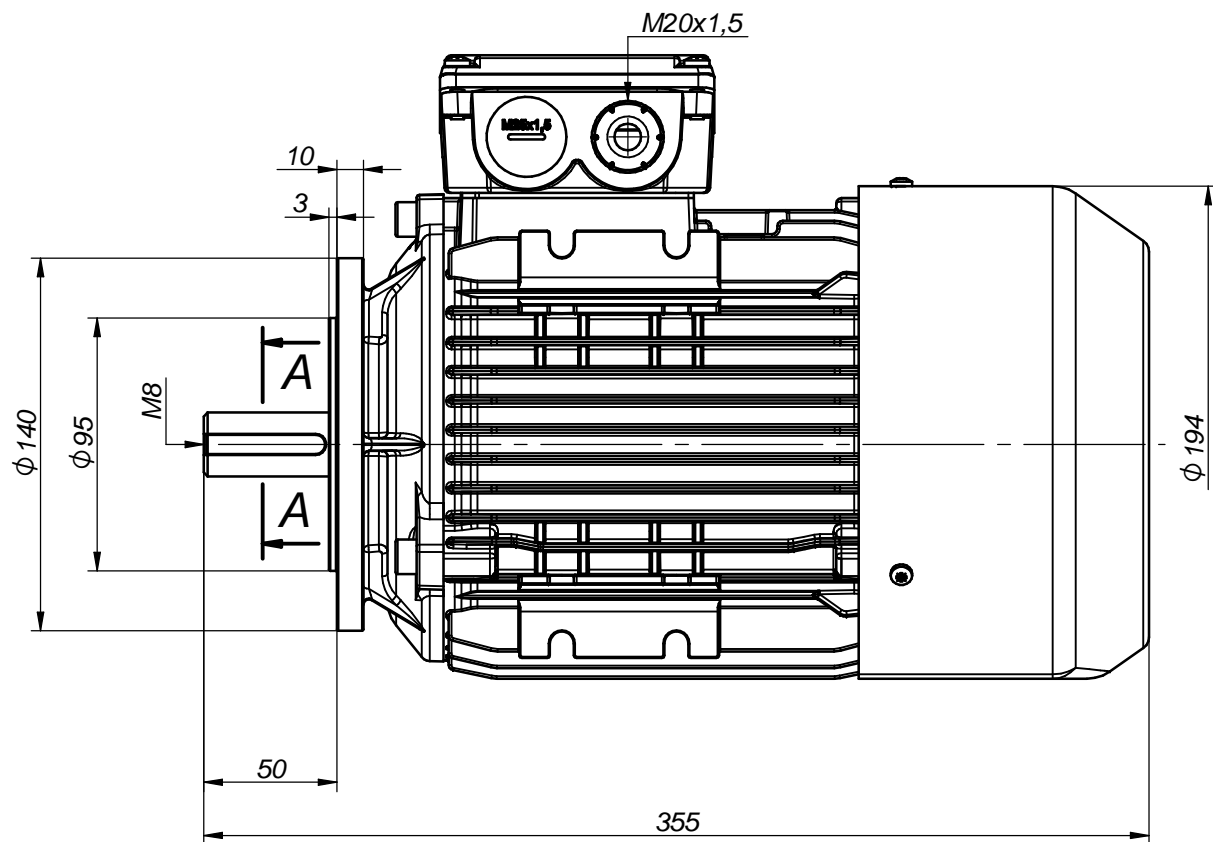
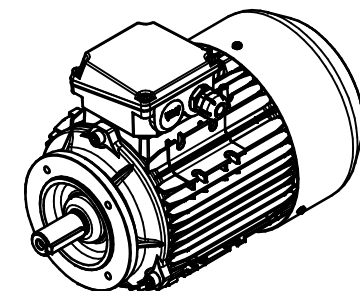
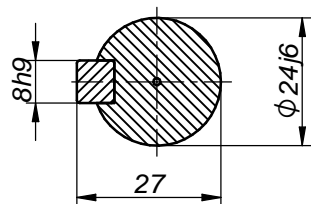


A-A (1:1)





A-A (1:1)



Motor type

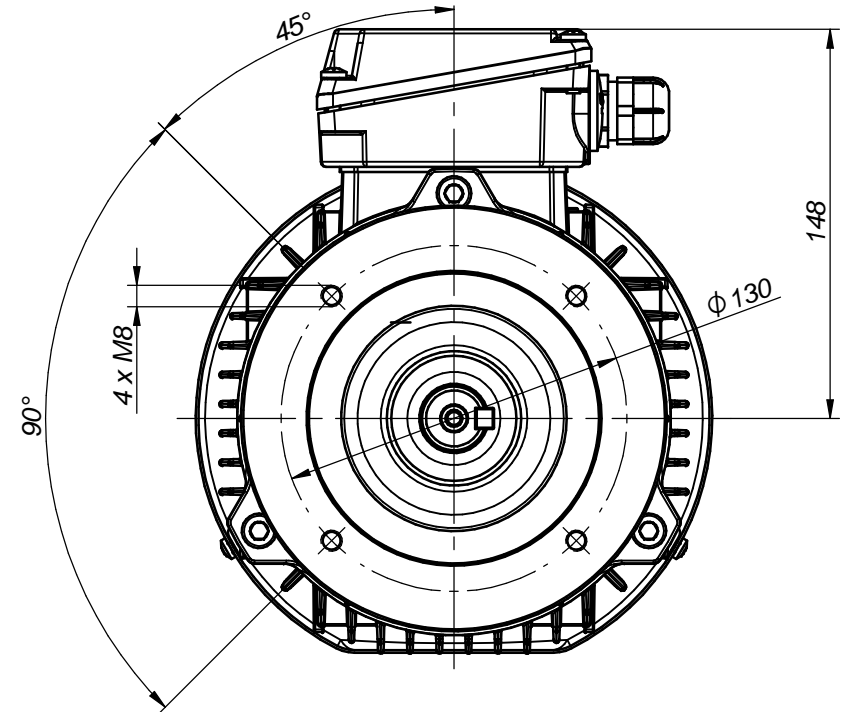
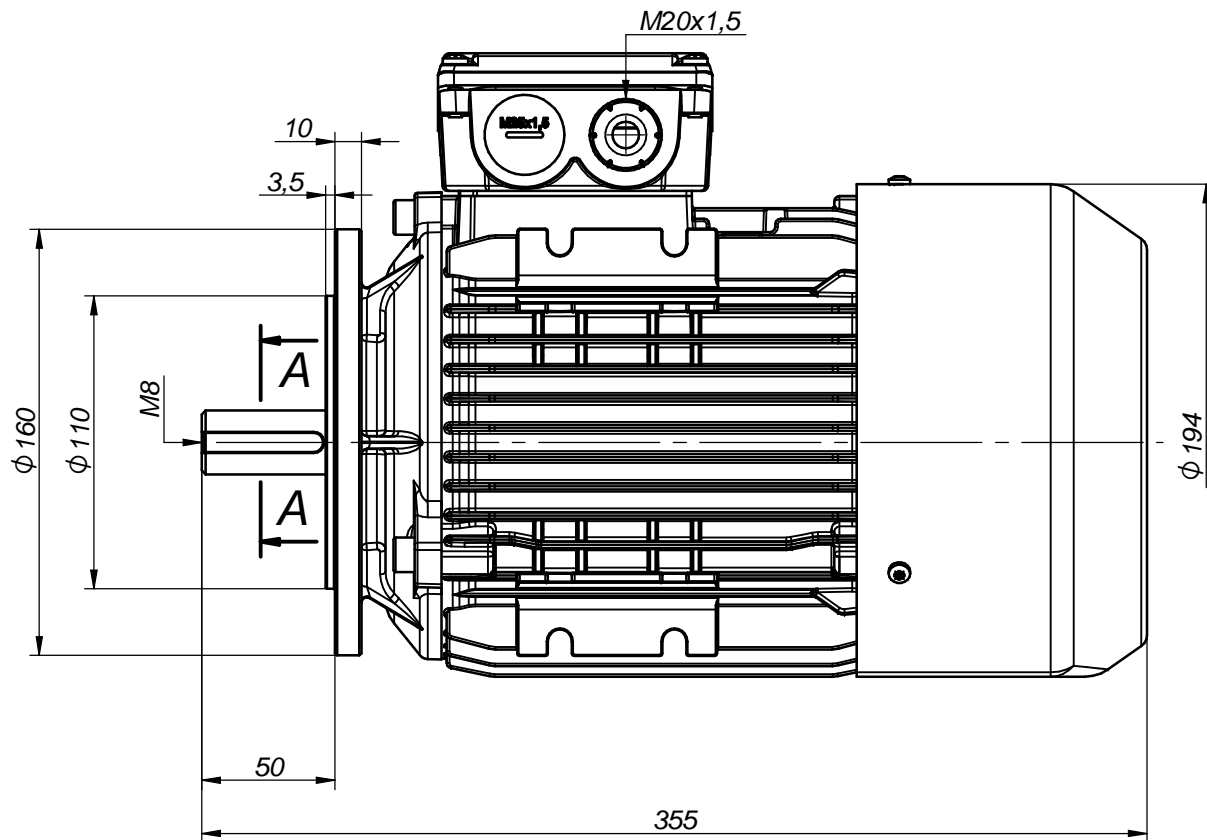
Ex 3SIEK90L4,6 - 2G,2D,2G&2D - IMB14C2

Drawing no.

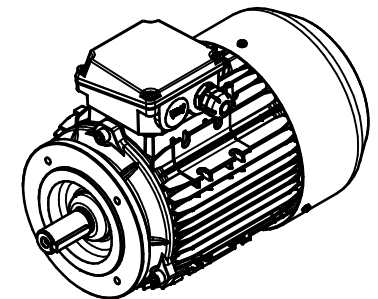
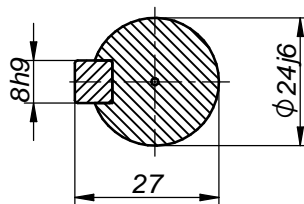
S-177-01-2023

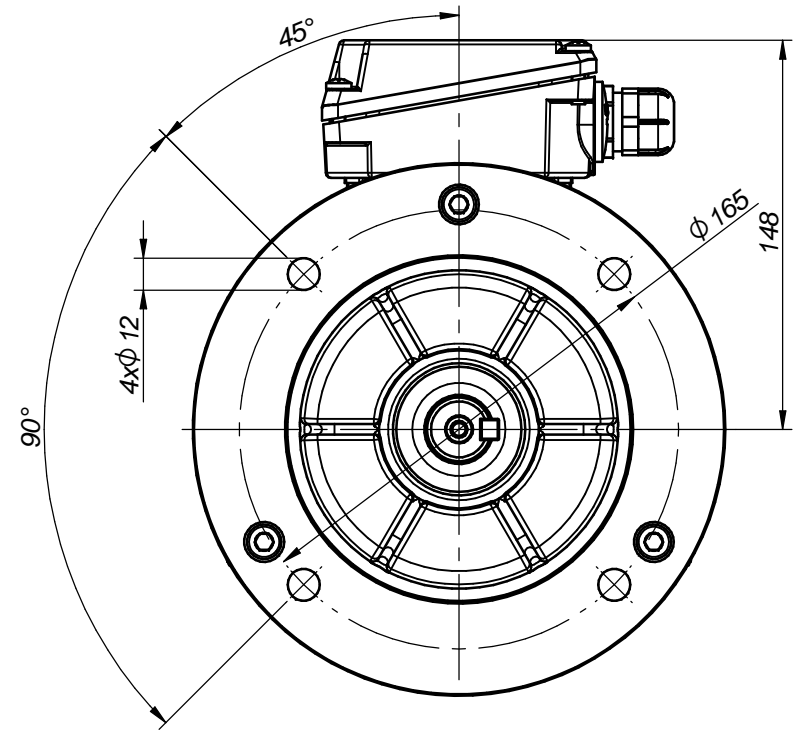
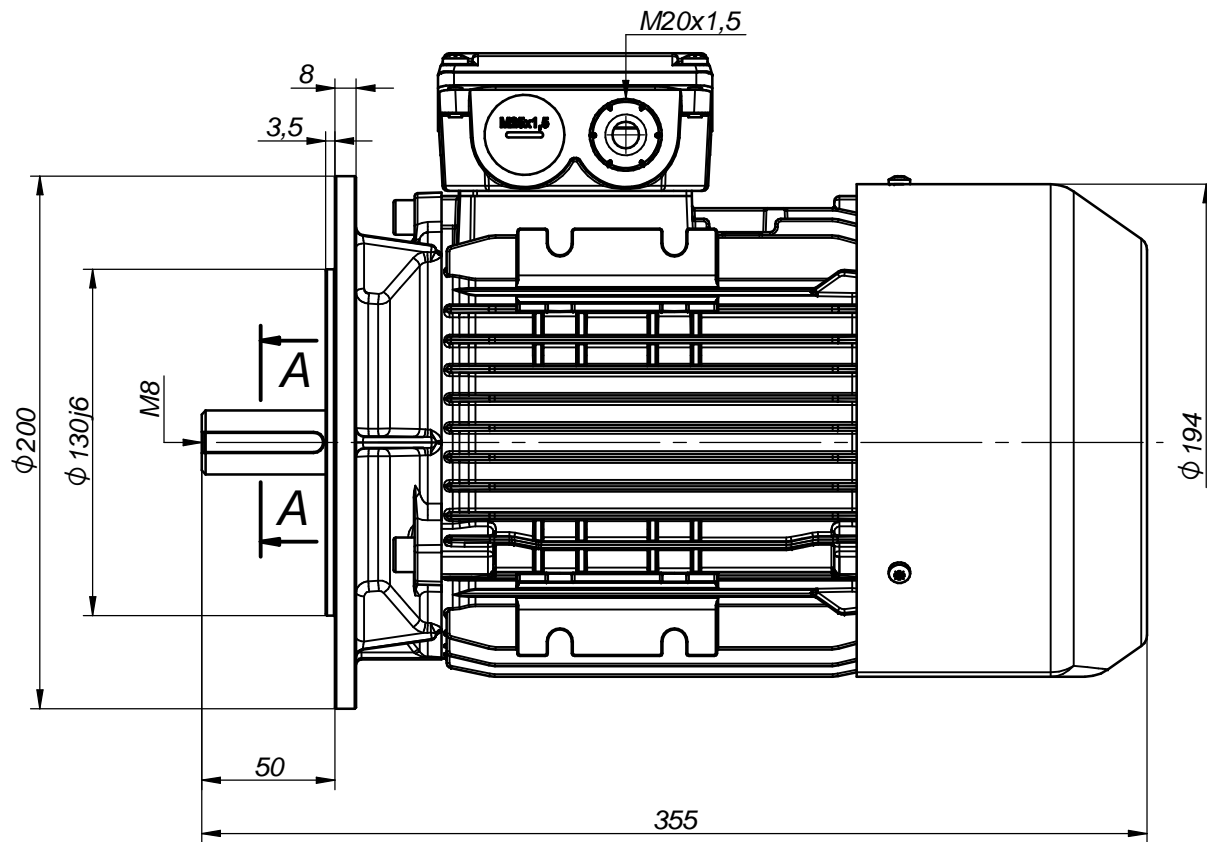
Scale

1:2

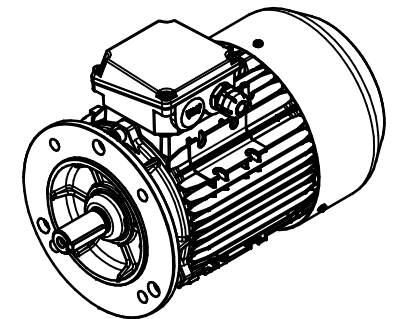
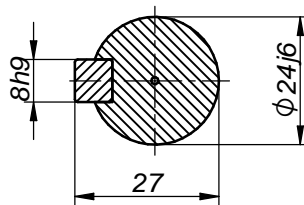


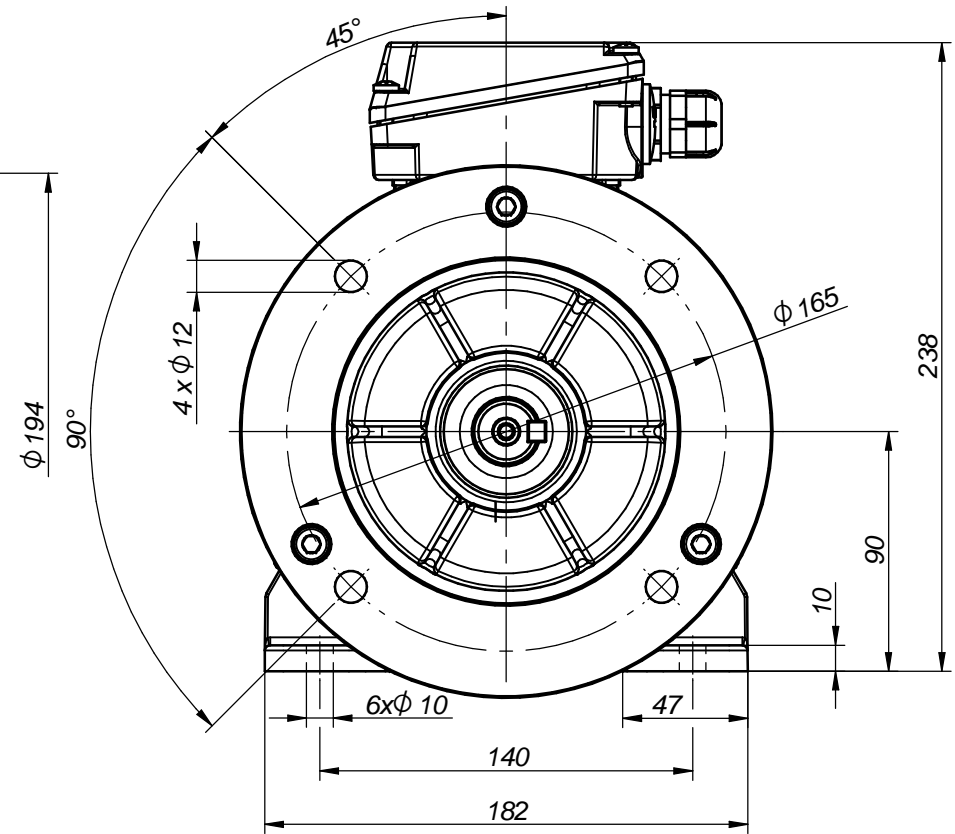
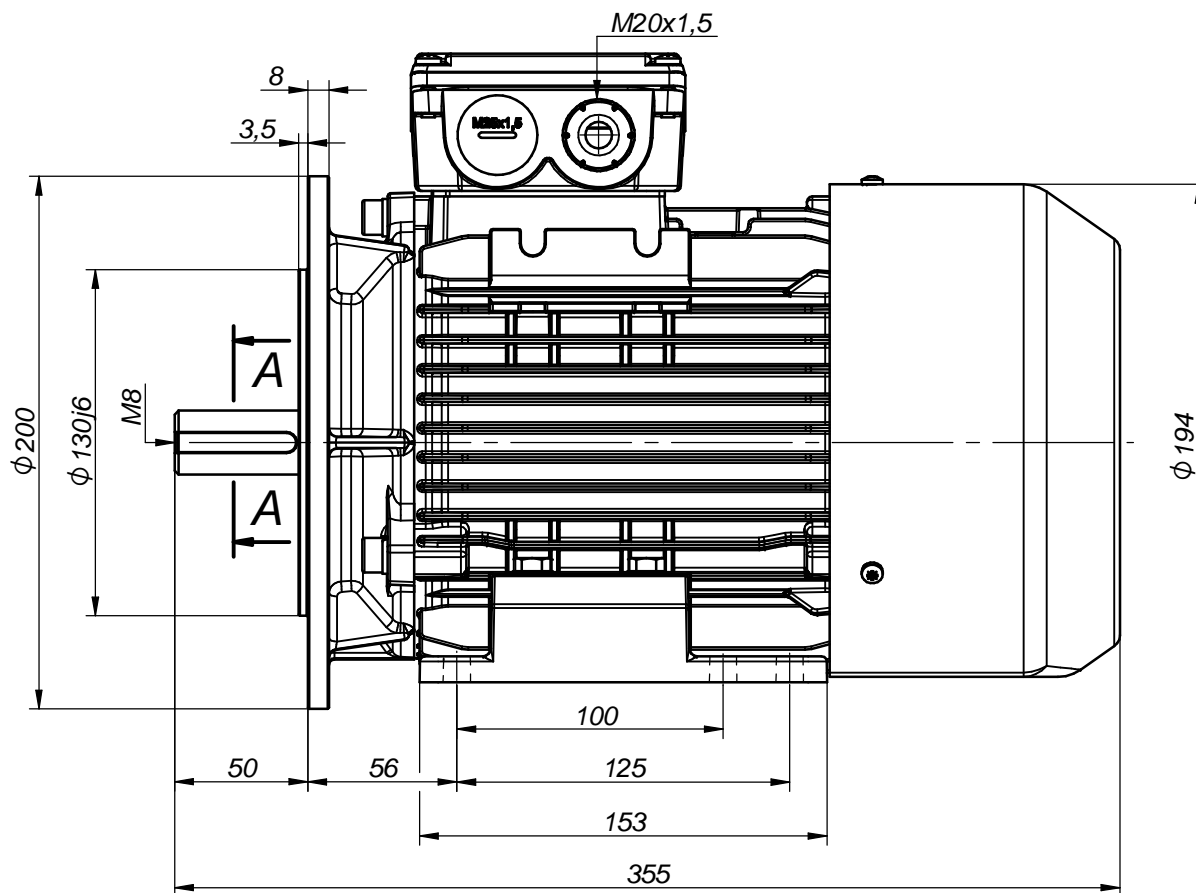
A-A (1:1)



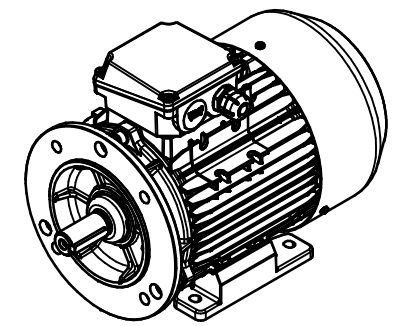
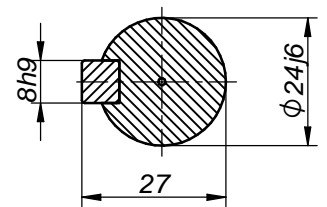


A-A (1:1)





A-A (1:1)



Motor type

Ex 3SIEL90L4,6 – 2G,2D,2G/2D – IMB35

Drawing no.

S-162-01-2023

Scale

1:2