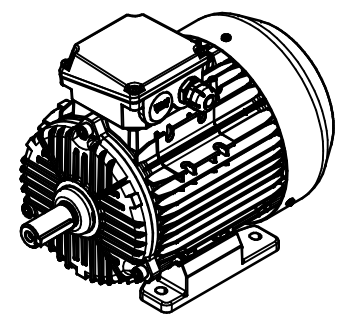
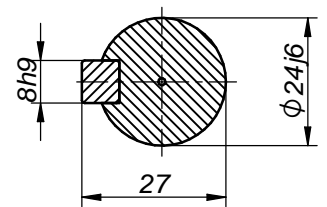


A-A (1:1)



since 1920
CELMA
indukta
 since 1878
Cantoni
 GROUP

Motor type

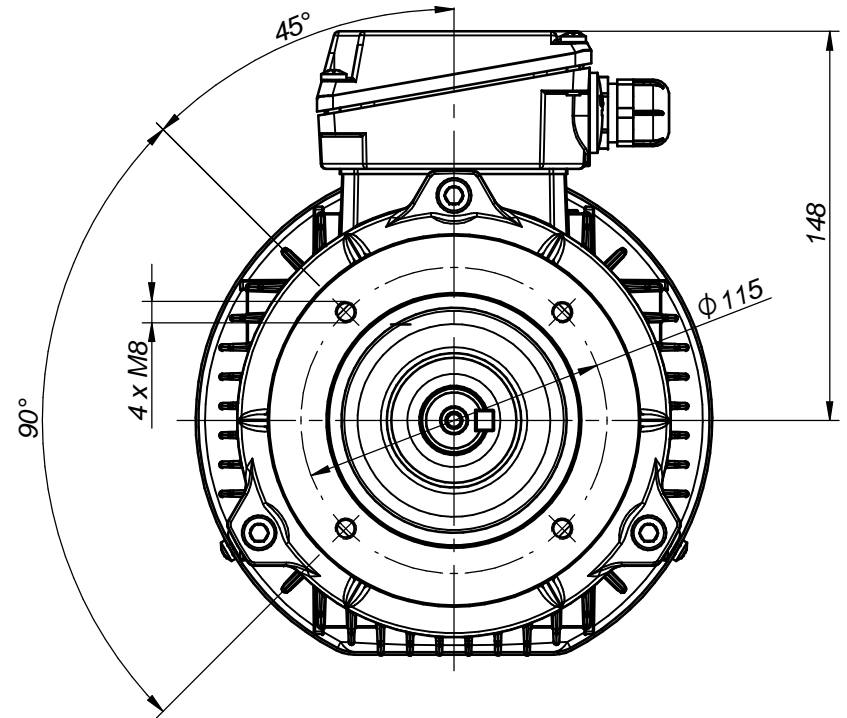
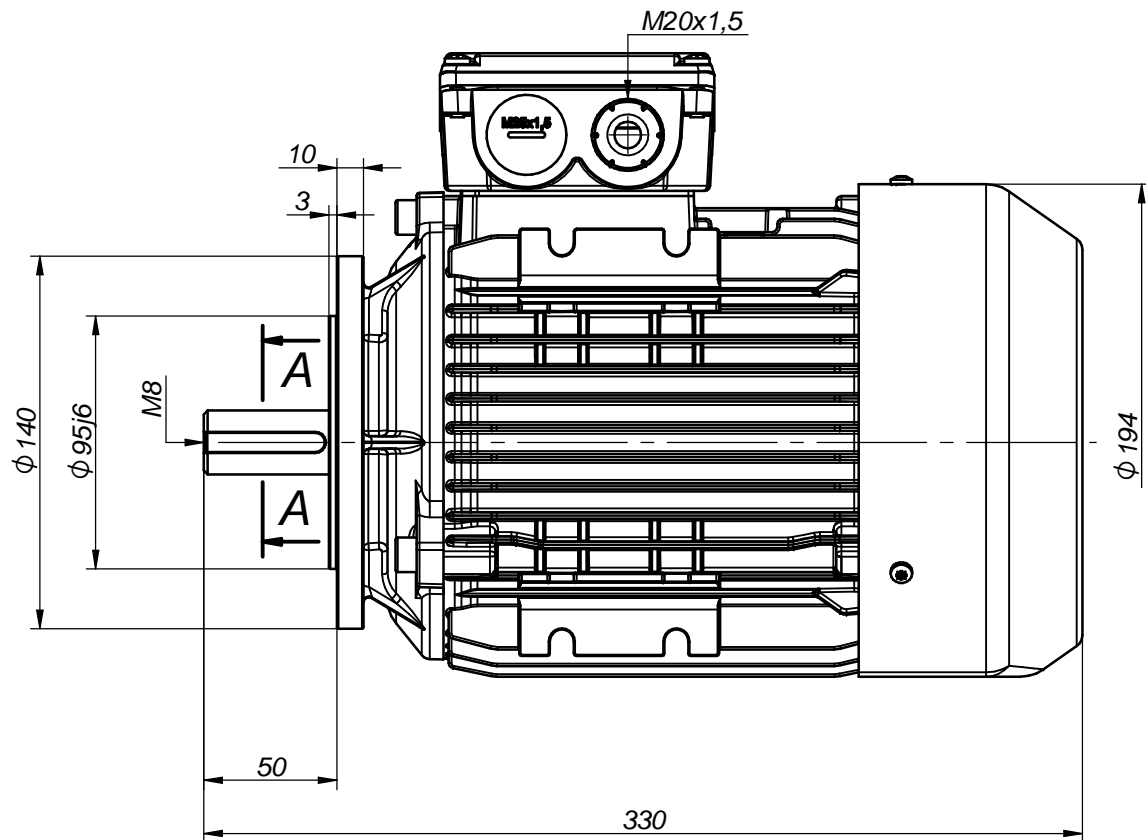
Ex 3SIE90S2,4,6;L2 – 2G,2D,2G/2D – IMB3

Drawing no.

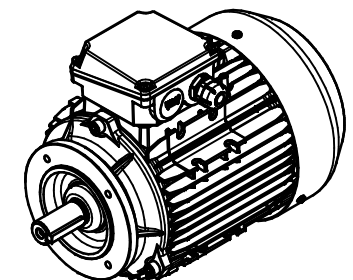
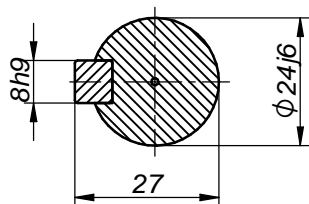
S-143-01-2023

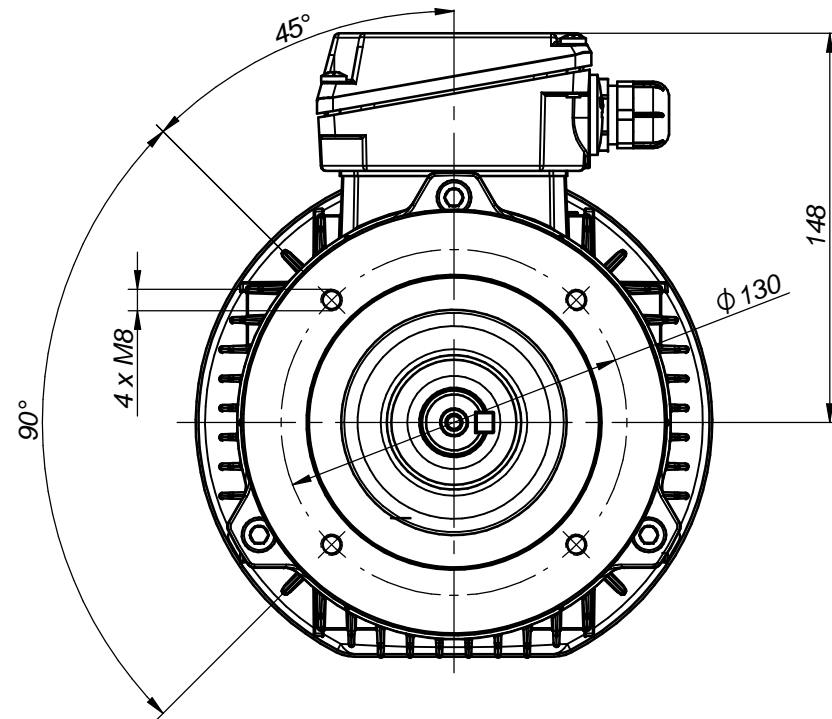
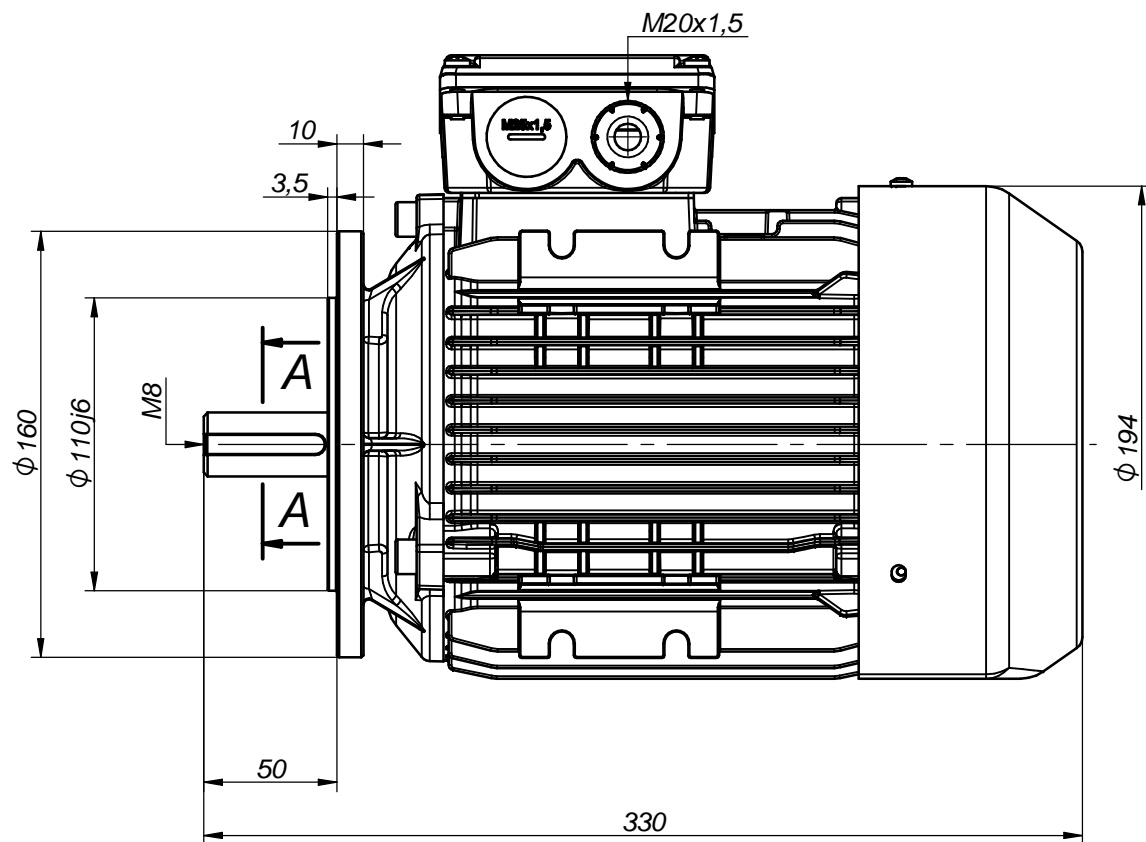
Scale

1:2

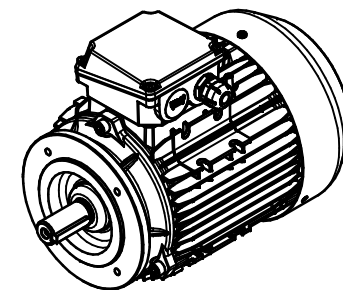
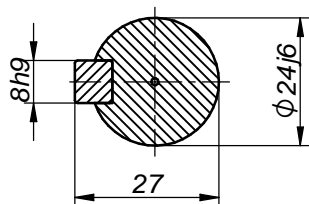


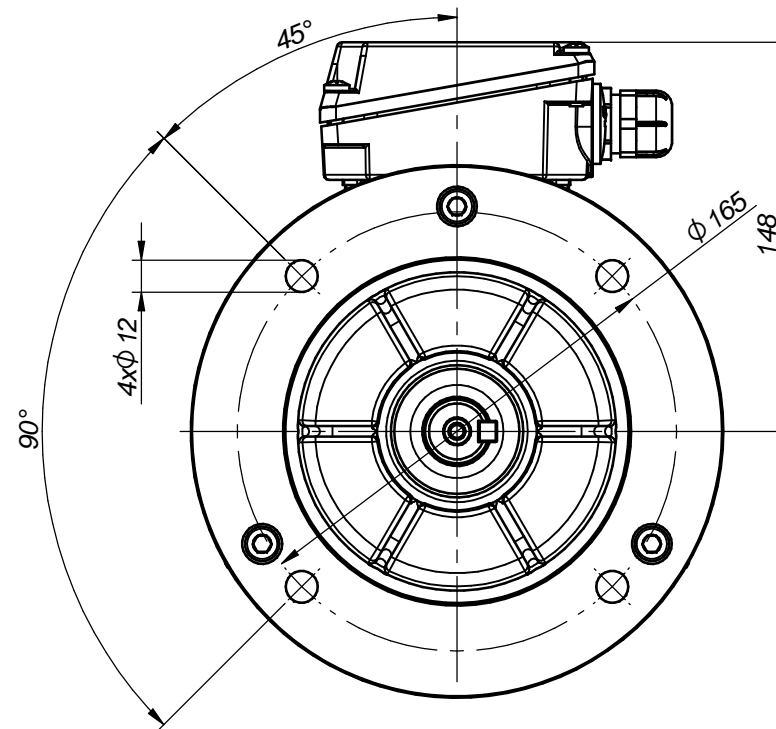
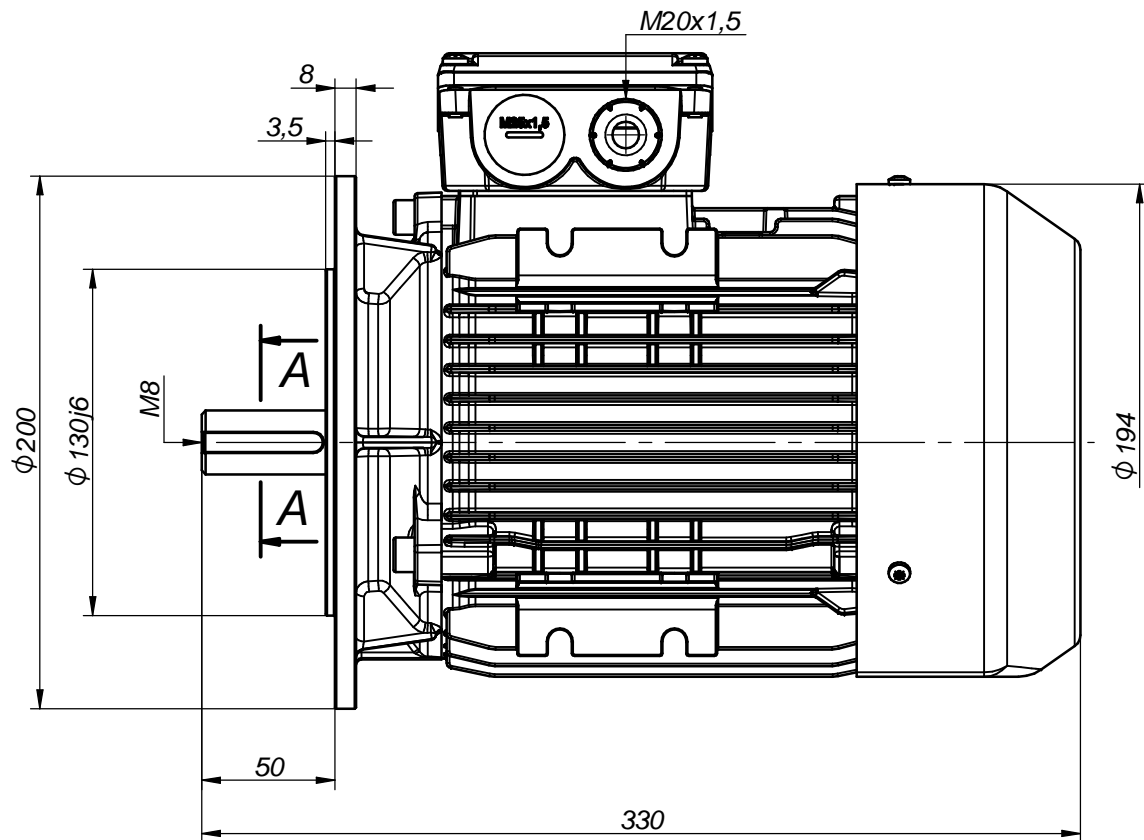
A-A (1:1)



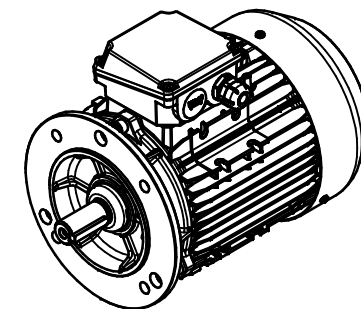
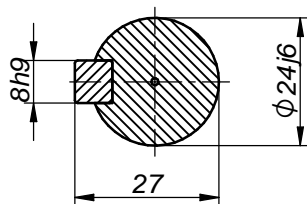


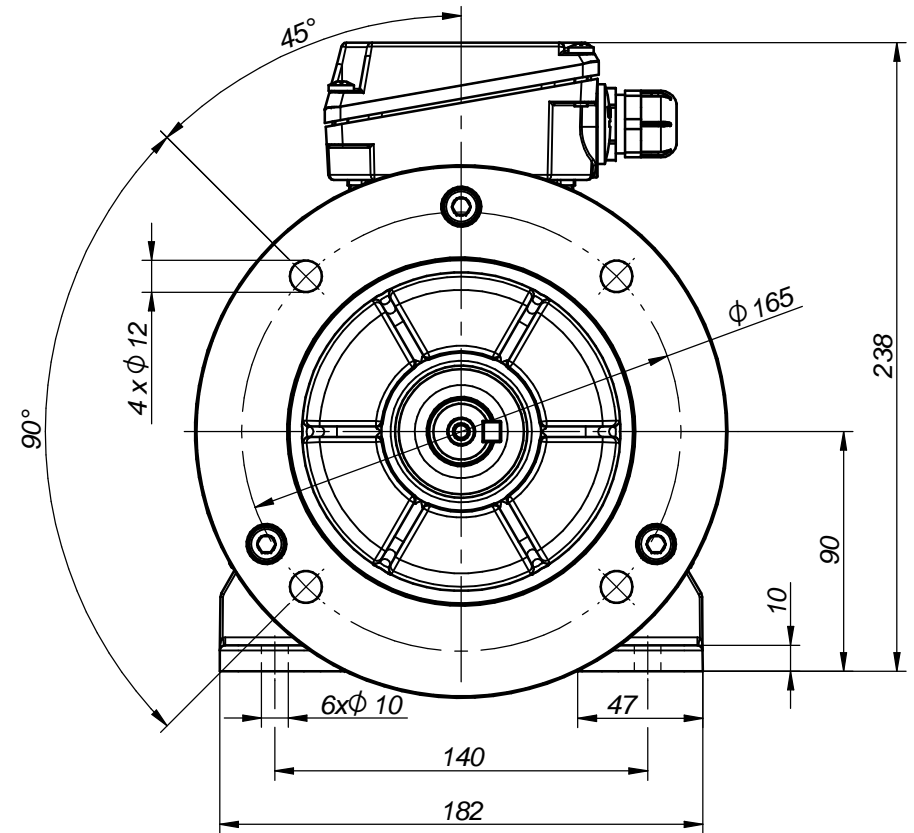
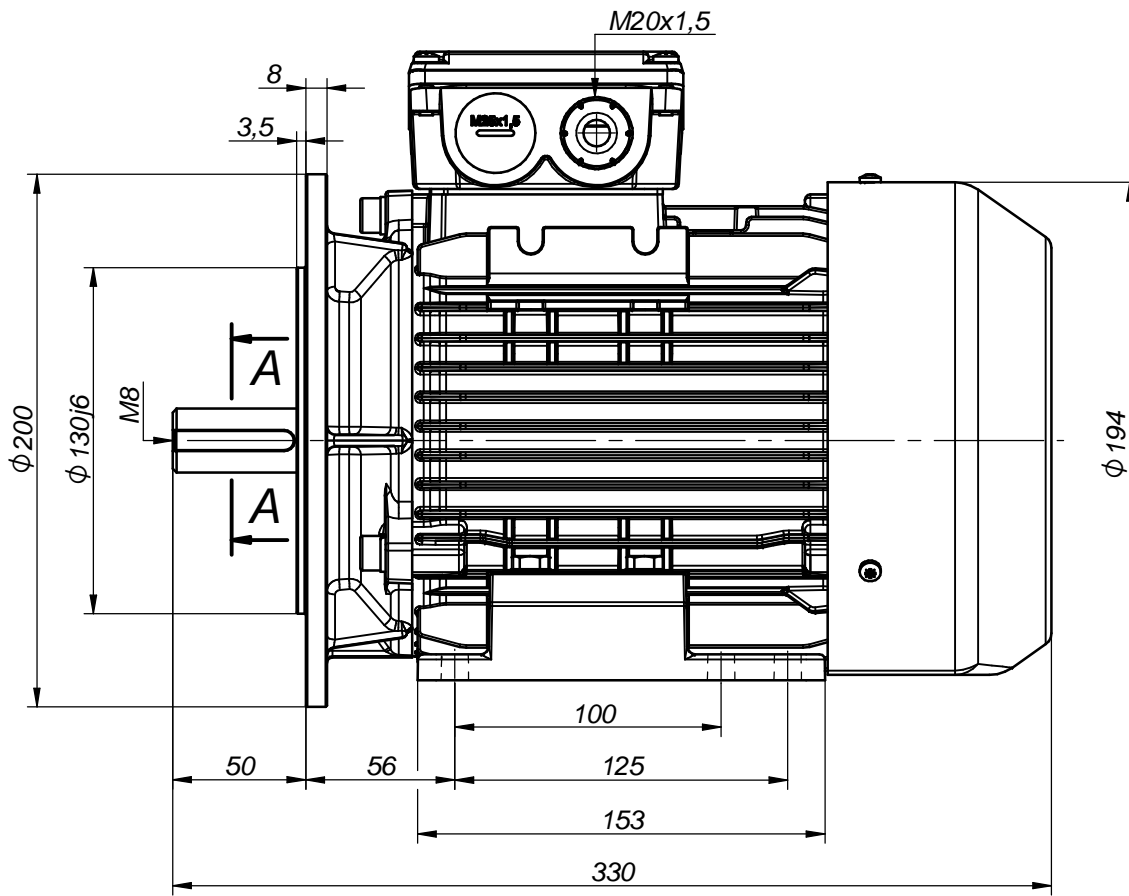
A-A (1:1)



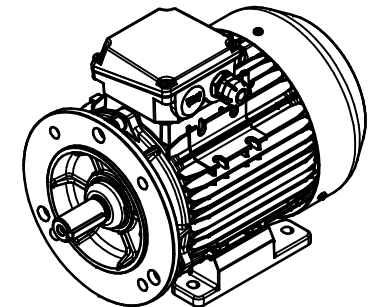
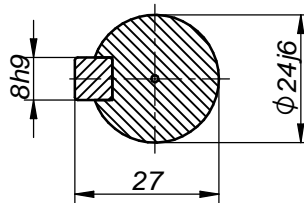


A-A (1:1)





A-A (1:1)



Motor type

Ex 3SIEL90S2,4,6;L2 – 2G,2D,2G/2D – IMB35

Drawing no.

S-161-01-2023

Scale

1:2