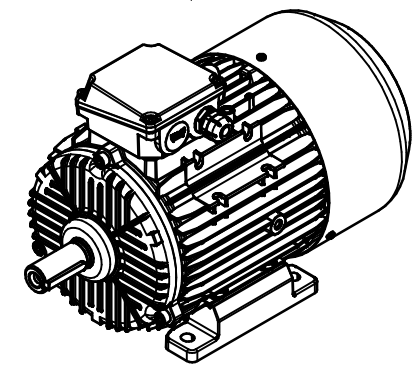
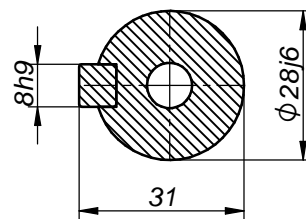


A-A (1:1)



Motor type

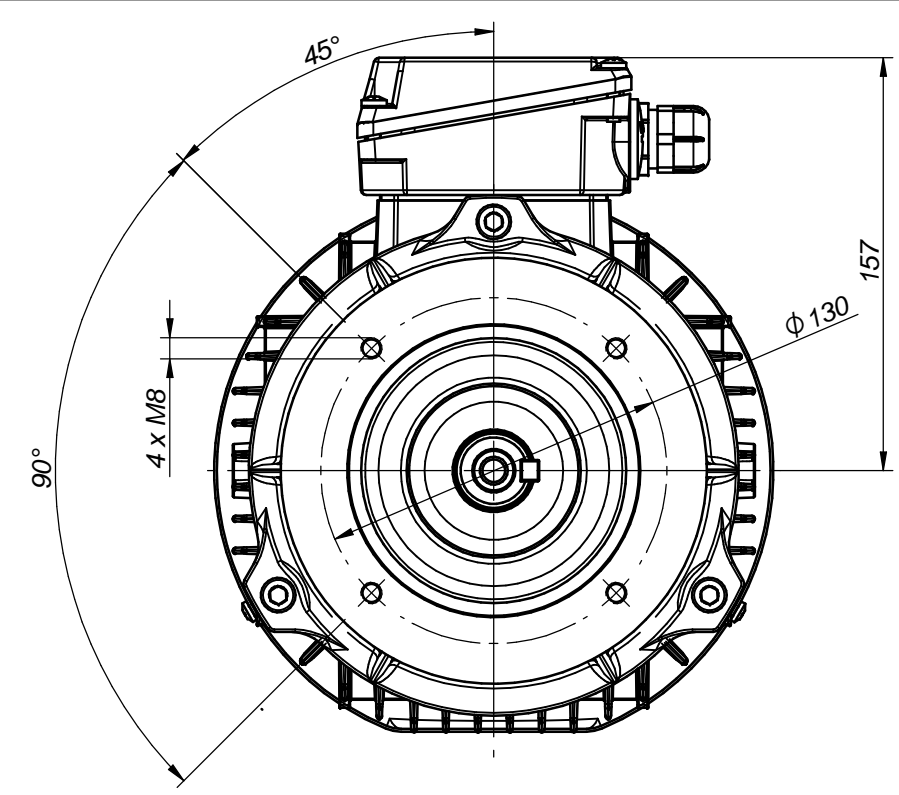
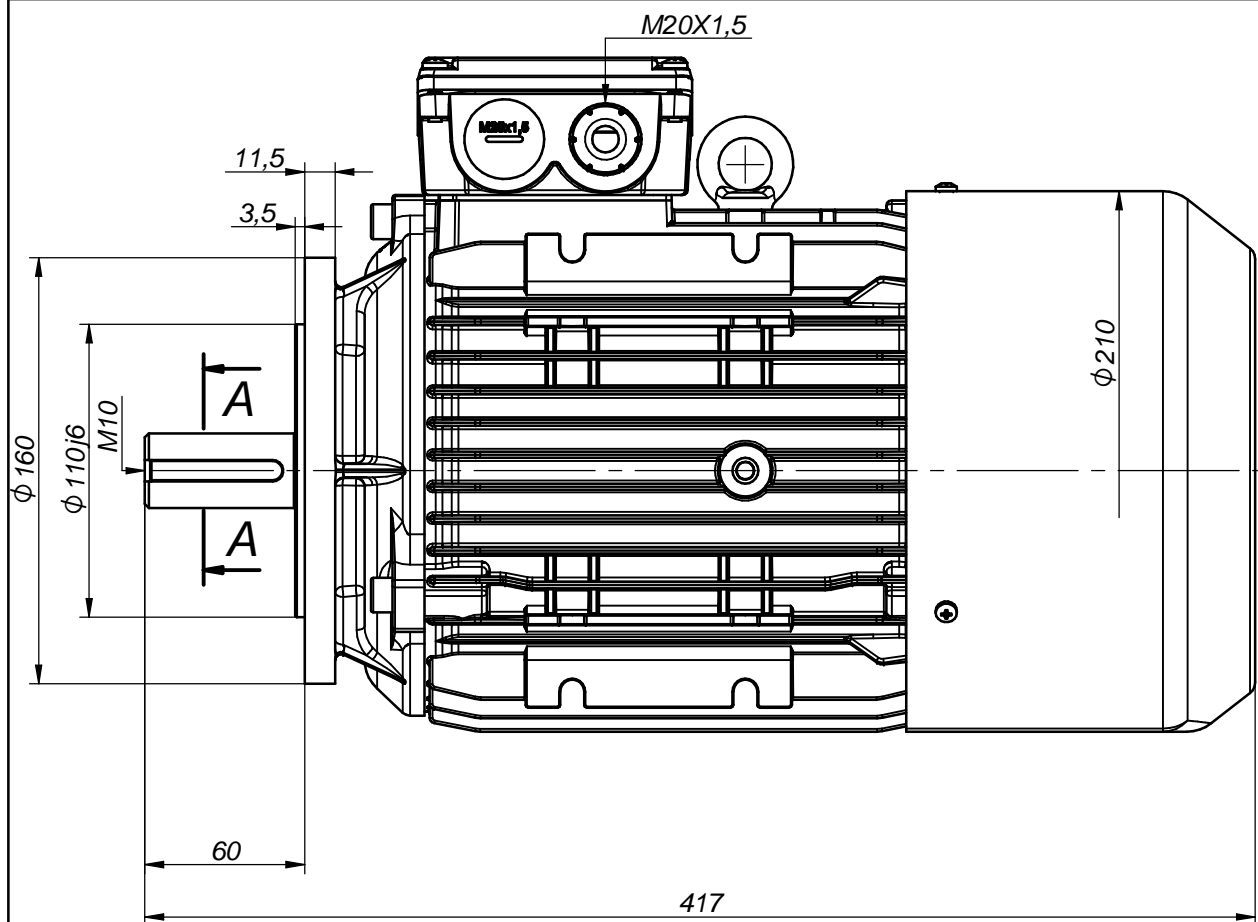
**Ex 3SIE100L4A,4B – 2G,2D,2G/2D – IMB3**

Drawing no.

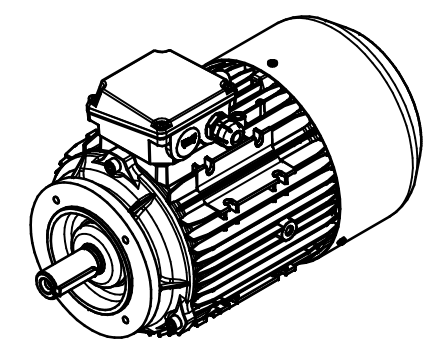
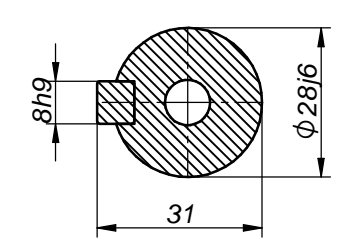
**S-146-01-2023**

Scale

**1:2**



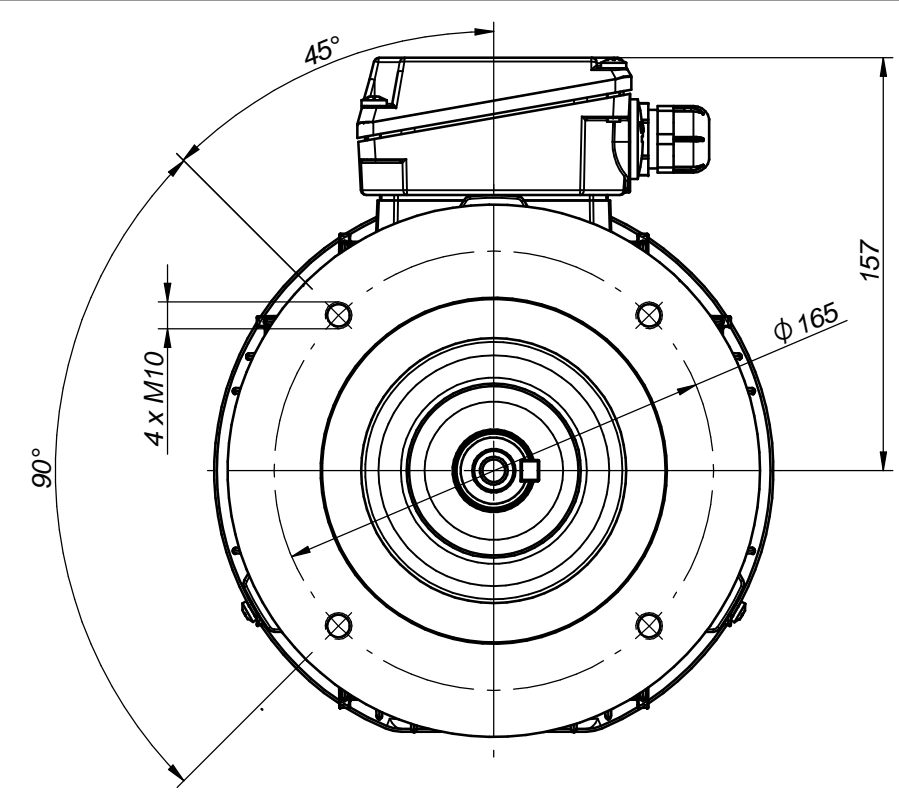
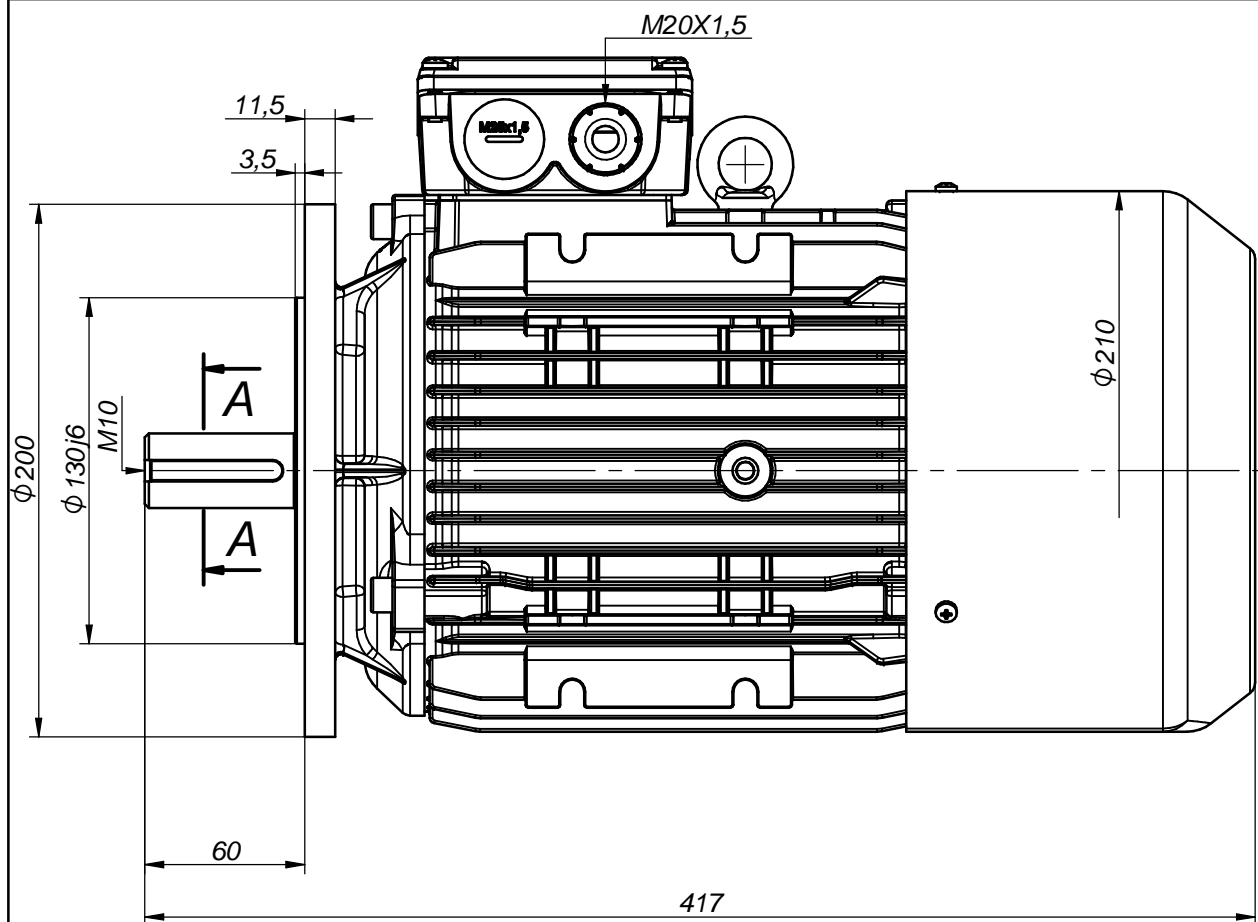
A-A (1:1)



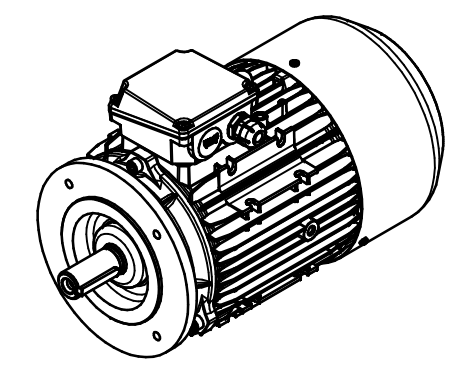
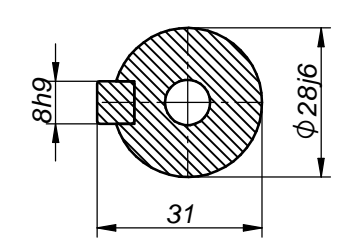
Motor type **Ex 3SIEK100L4A,4B - 2G,2D,2G&2D - IMB14C2**

Drawing no. **S-181-01-2023**

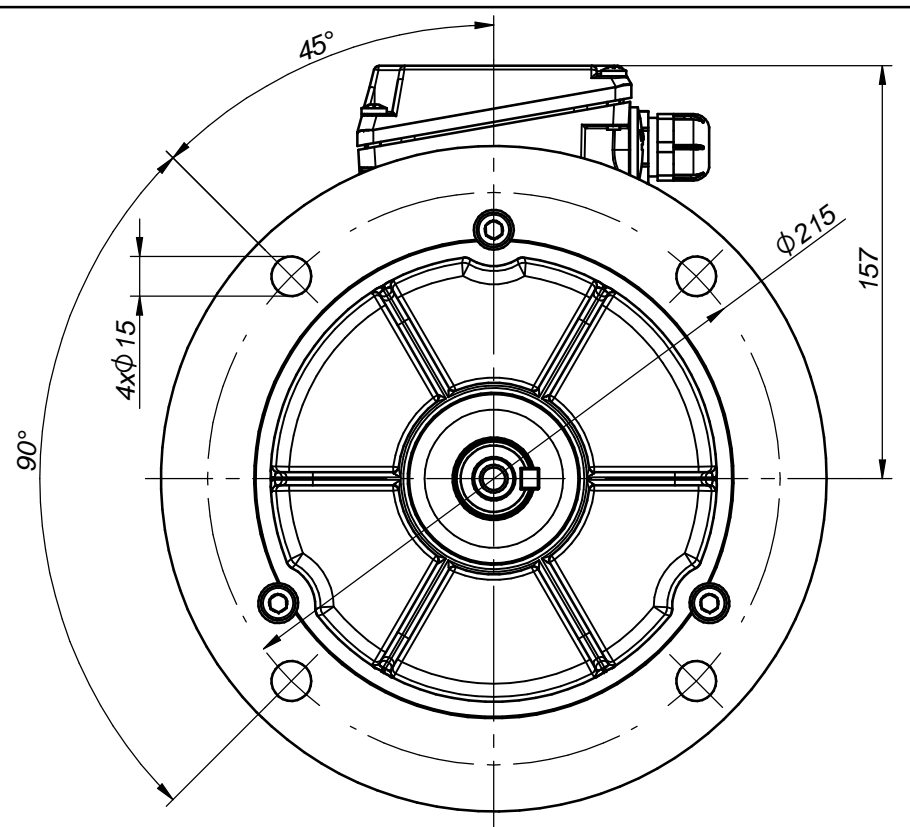
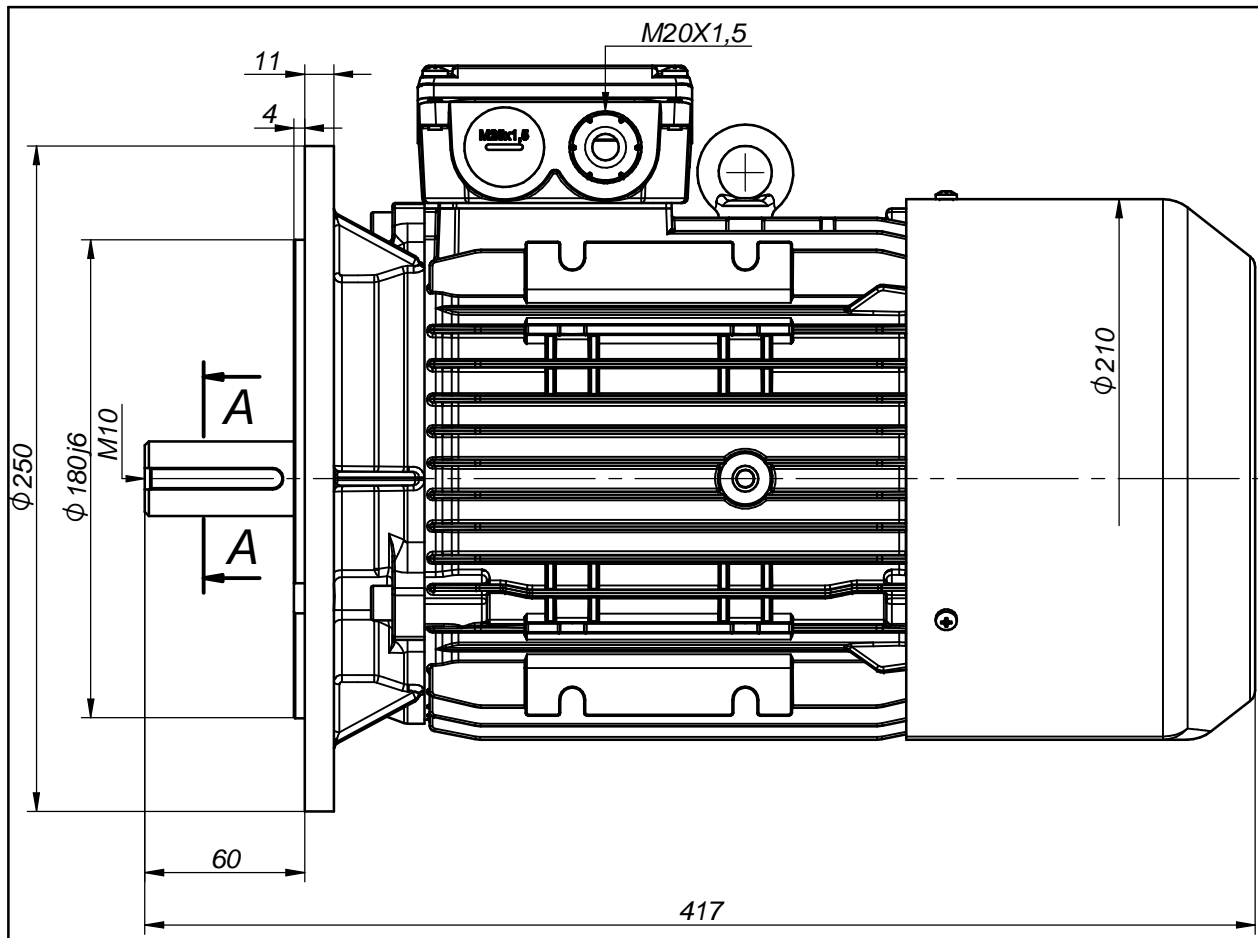
Scale **1:2**



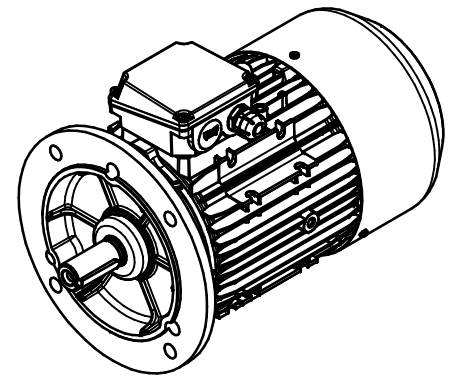
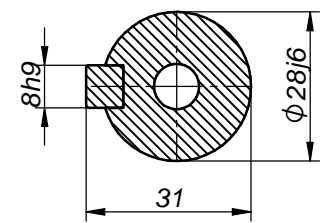
A-A (1:1)



Motor type	<b>Ex 3SIEK100L4A,4B - 2G,2D,2G&amp;2D - IMB14C1</b>	
Drawing no.	<b>S-180-01-2023</b>	
Scale	<b>1:2</b>	



A-A (1:1)



Motor type

**Ex 3SIEK100L4A,4B – 2G,2D,2G/2D – IMB5**

Drawing no.

**S-155-01-2023**

Scale

**1:2**

