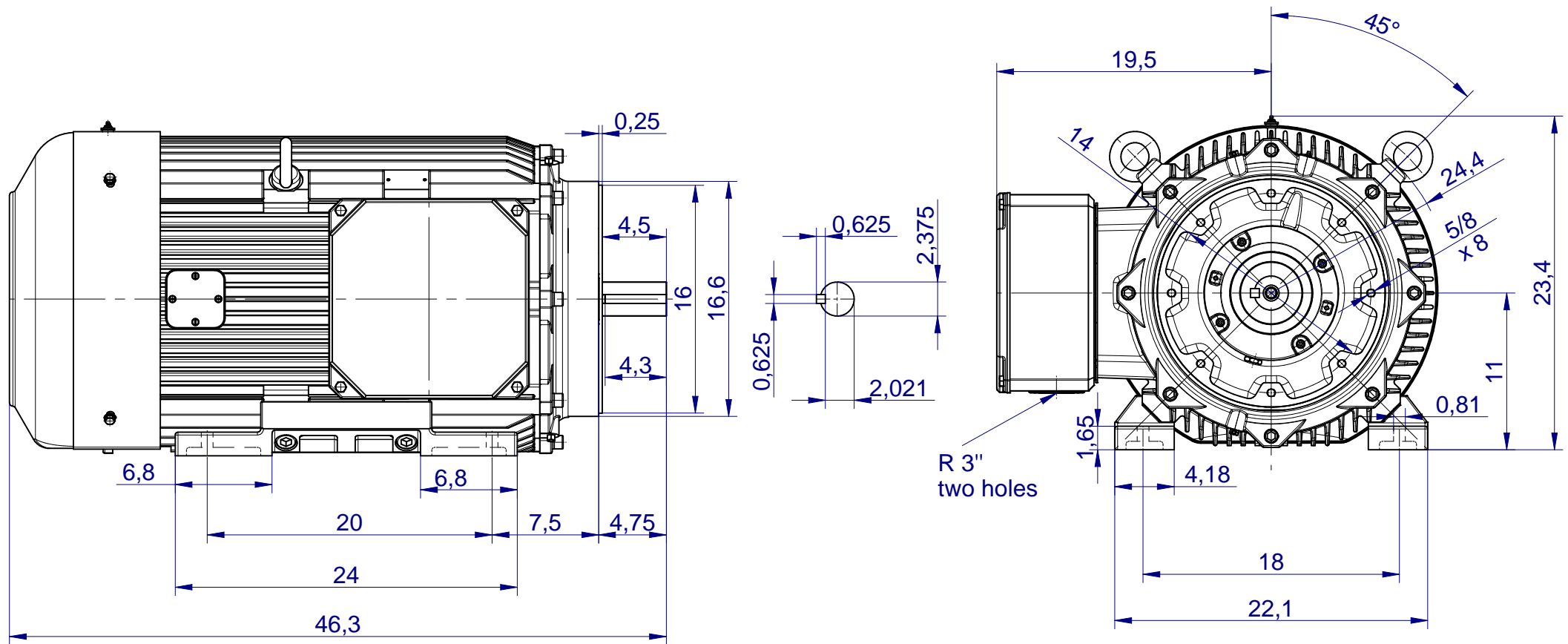


1:10

Drawing is for reference dimensions only and subject to change.



**SIE 447 TS2(A,B)**



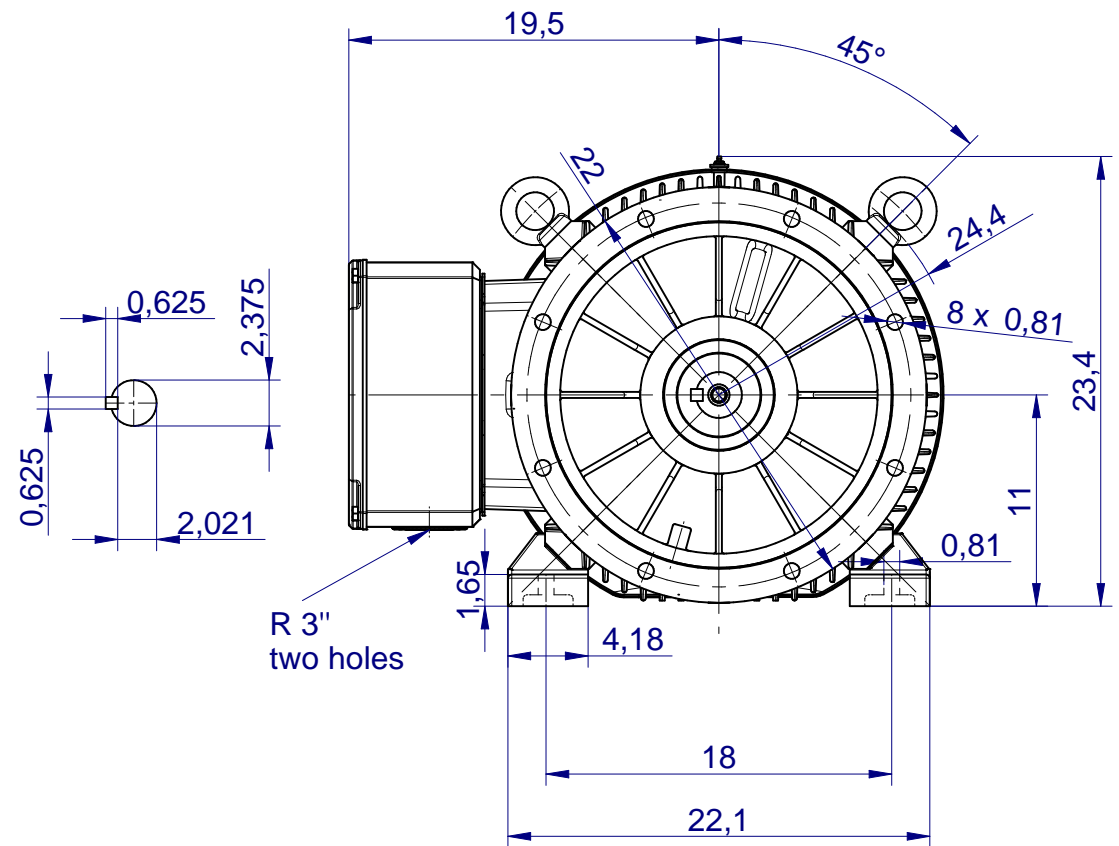
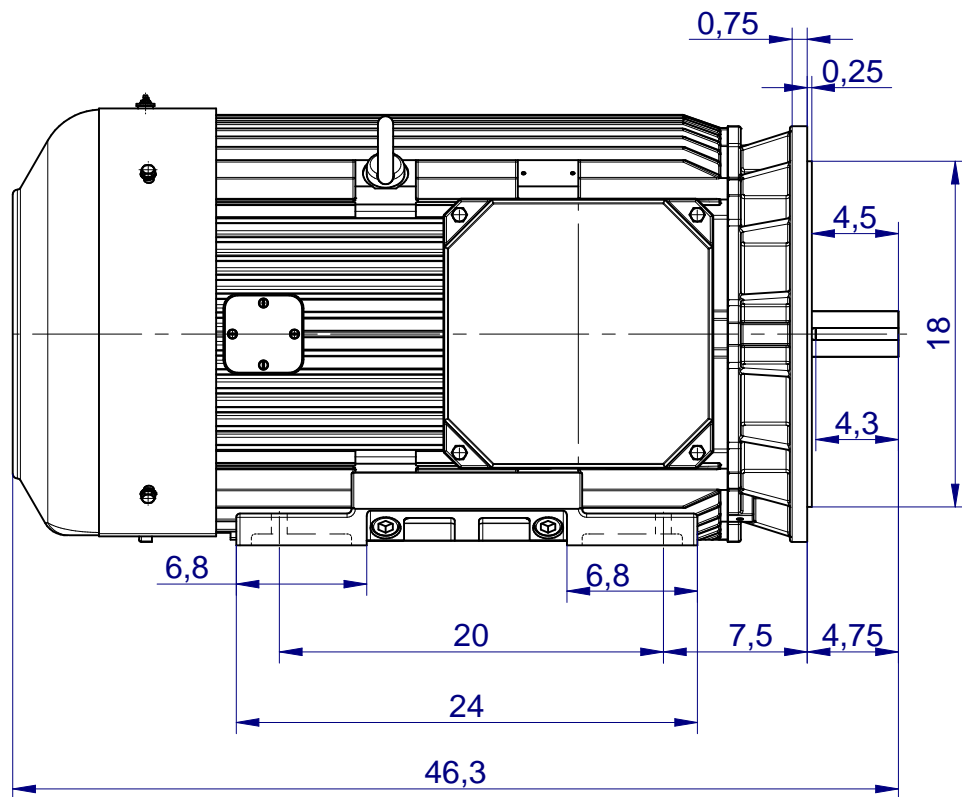
1:10

Drawing is for reference dimensions only and subject to change.

**Cantoni**<sup>®</sup>  
GROUP

**CELMA**  
**indukta**

**SIE 447 TSCL2(A,B)**



1:10

Drawing is for reference dimensions only and subject to change.

**Cantoni**<sup>®</sup>  
GROUP

**CELMA**  
**indukta**

**SIE 447 TSDL2(A,B)**