

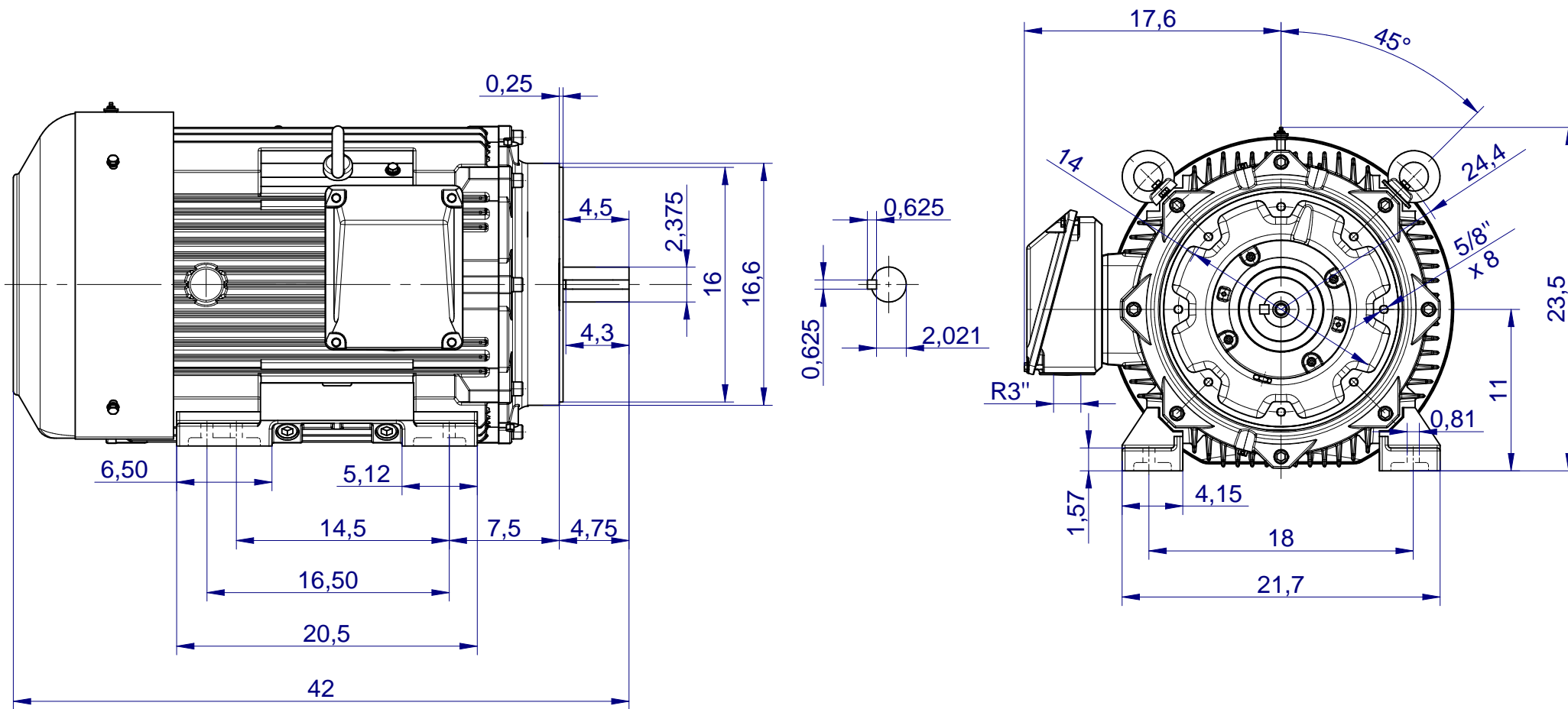
1:10

Drawing is for reference dimensions only and subject to change.

Cantoni[®]
GROUP

CELMA
indukta

SIE 440 TS2



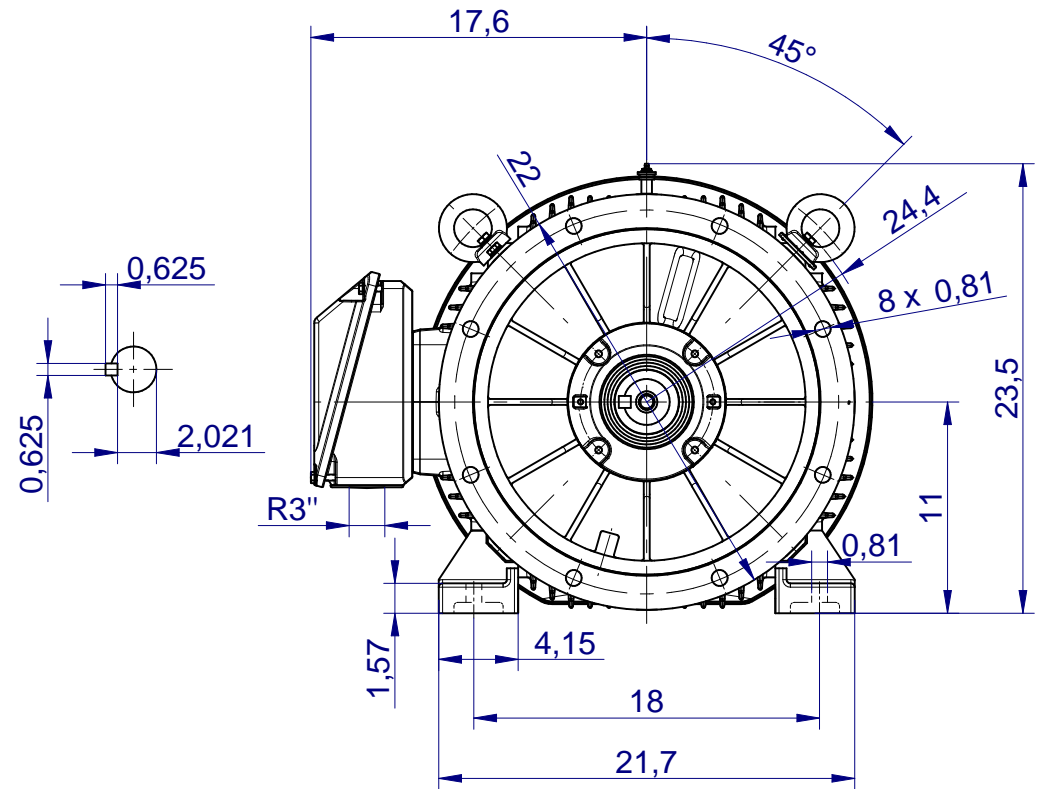
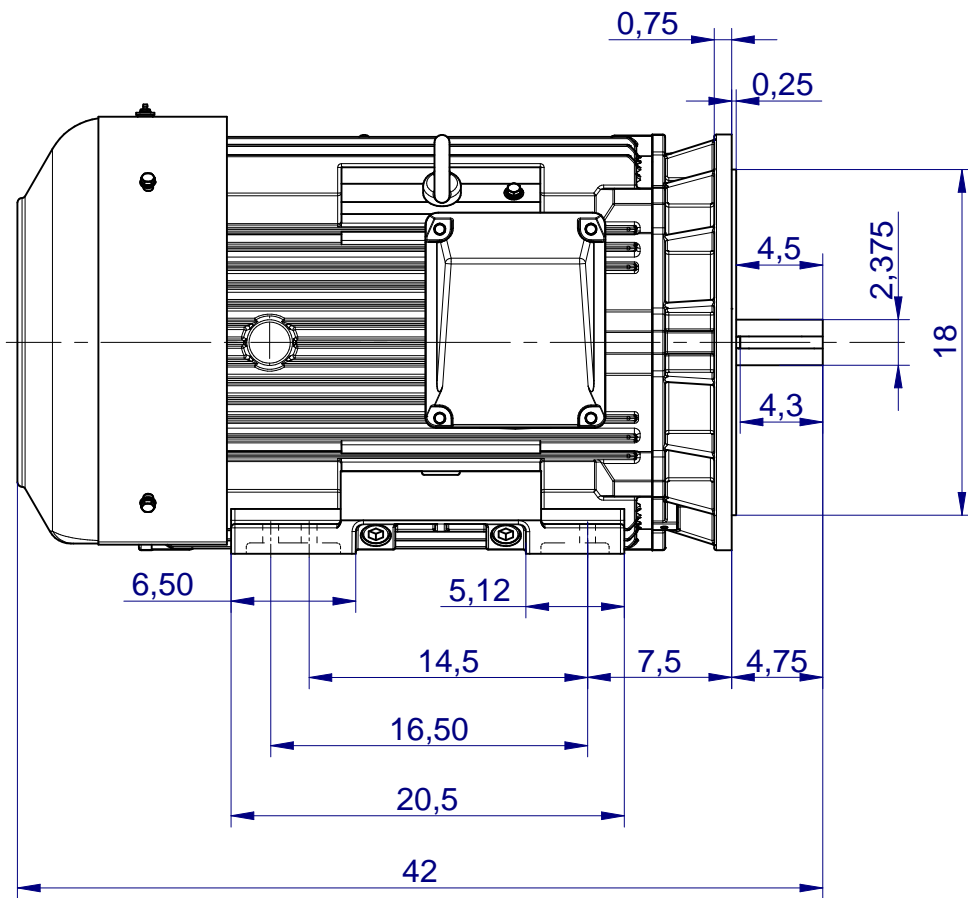
1:10

Drawing is for reference dimensions only and subject to change.

Cantoni[®]
GROUP

CELMA
indukta

SIE 440 TSCL2



1:10

Drawing is for reference dimensions only and subject to change.

Cantoni[®]
GROUP

CELMA
indukta

SIE 440 TSDL2