

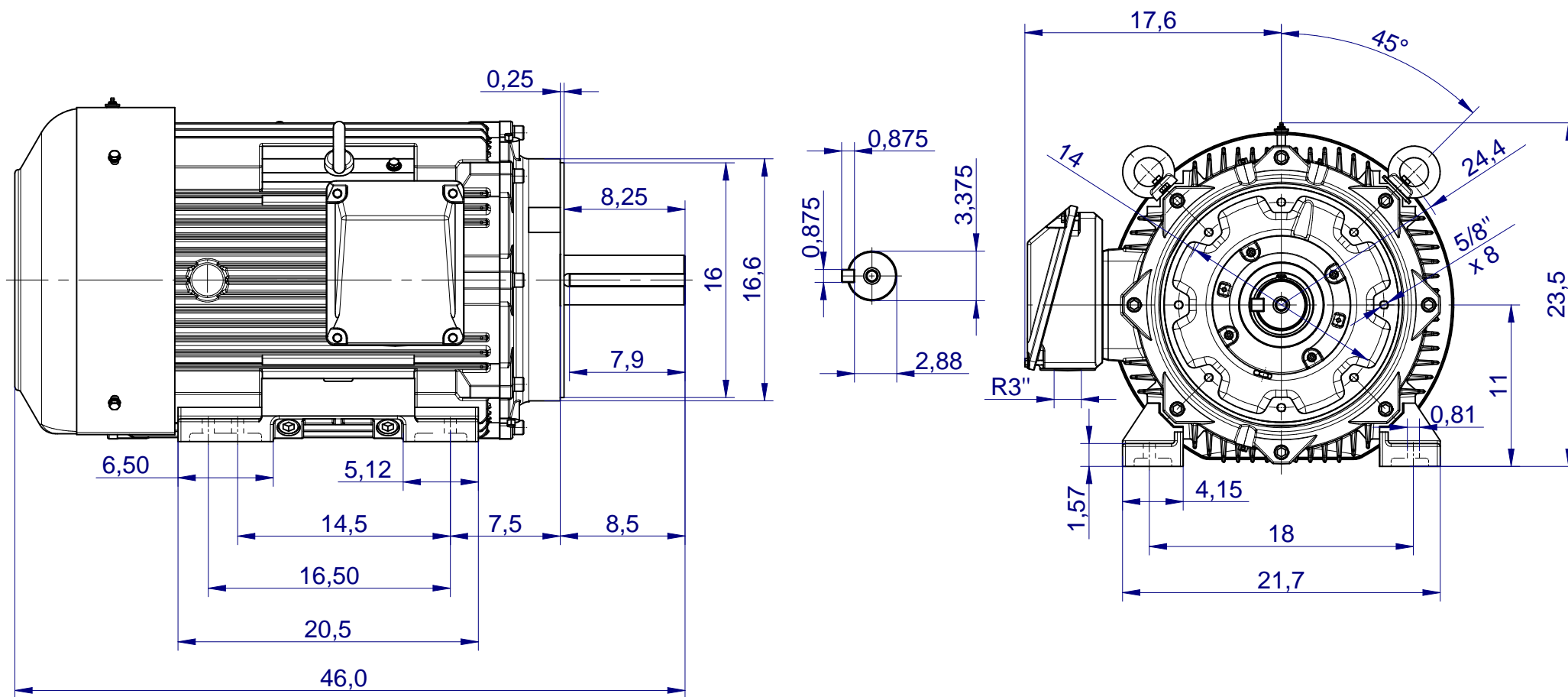
1:10

Drawing is for reference dimensions only and subject to change.

**Cantoni**<sup>®</sup>  
GROUP

**CELMA**  
**indukta**

**SIE 440 T4-6**



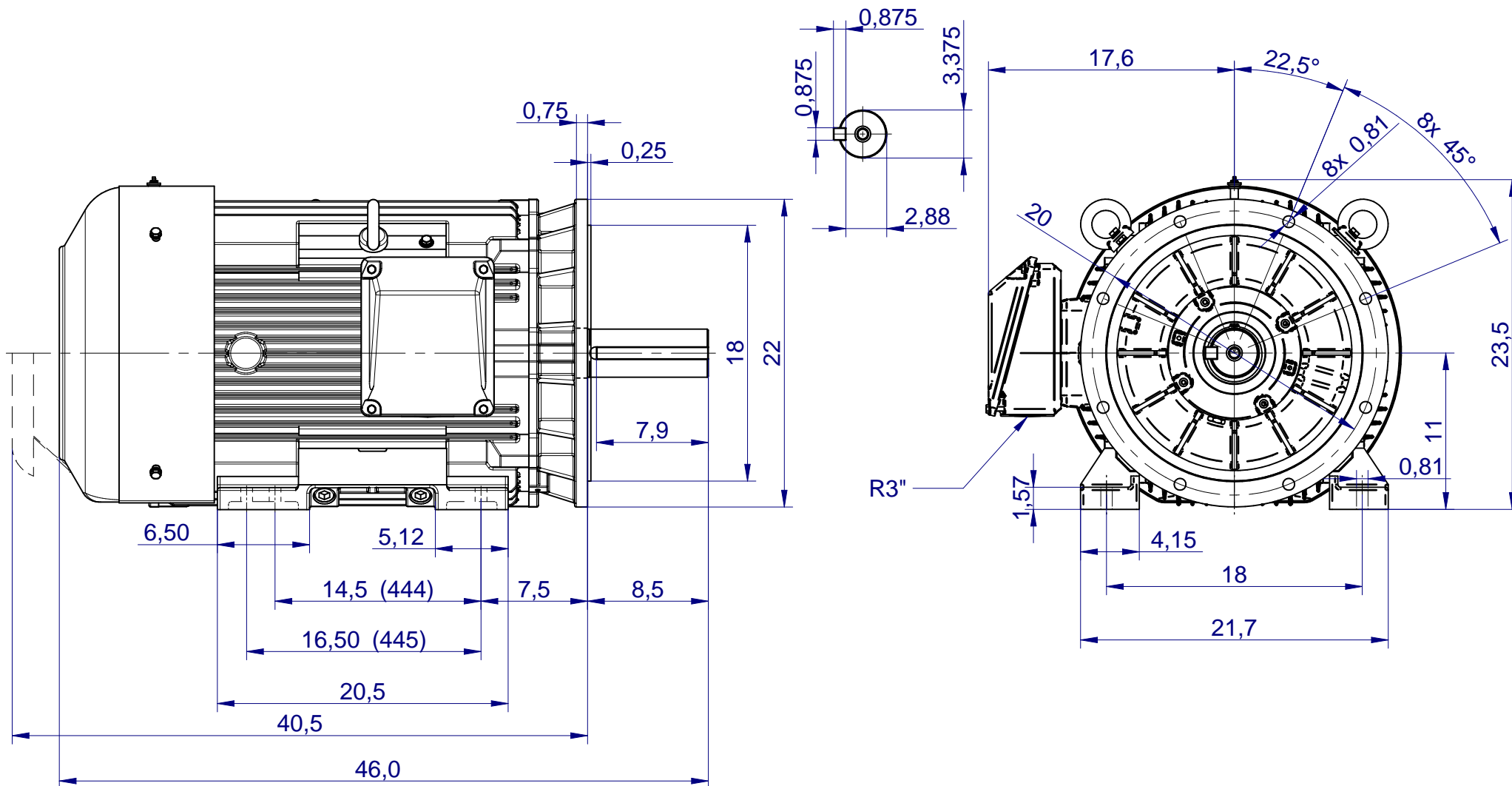
1:10

Drawing is for reference dimensions only and subject to change.

**Cantoni**<sup>®</sup>  
GROUP

**CELMA**  
**indukta**

**SIE 440 TCL 4-6**



Drawing is for reference dimensions only and subject to change.

**Cantoni**®  
GROUP

**CELMA**  
**indukta**

**SIE 440 TDL 4-6**