

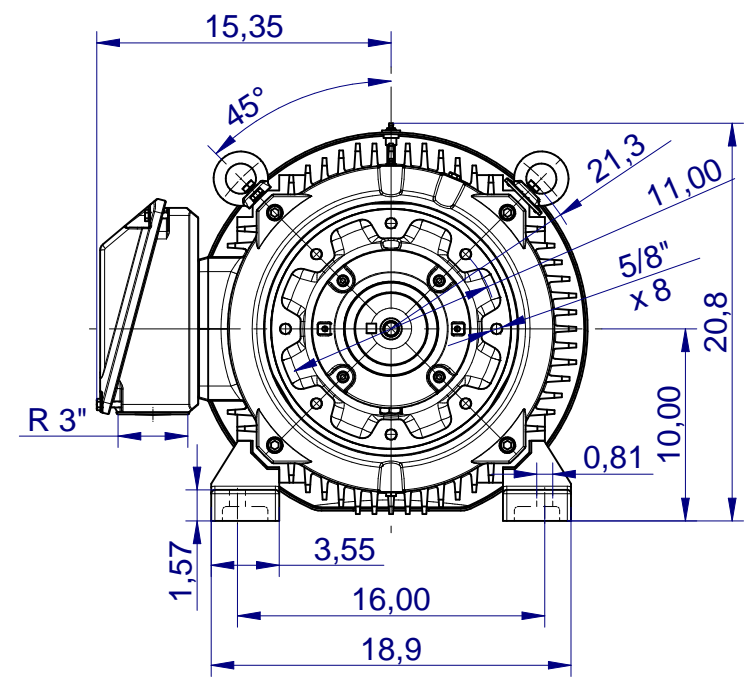
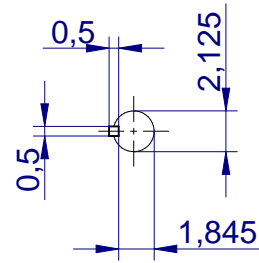
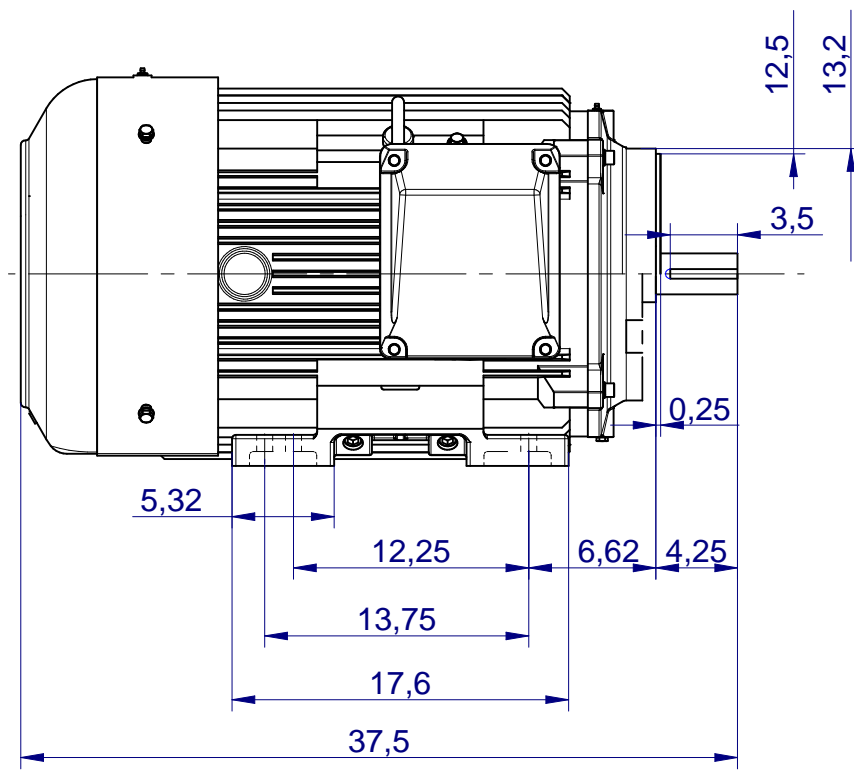
1:10

Drawing is for reference dimensions only and subject to change.

**Cantoni**<sup>®</sup>  
GROUP

**CELMA**  
**indukta**

**SIE405TS2**

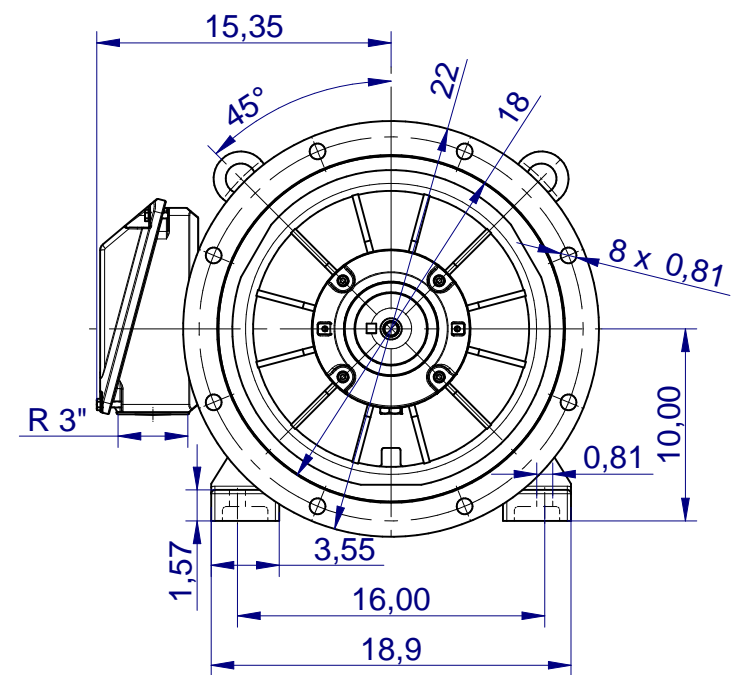
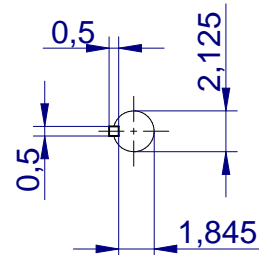
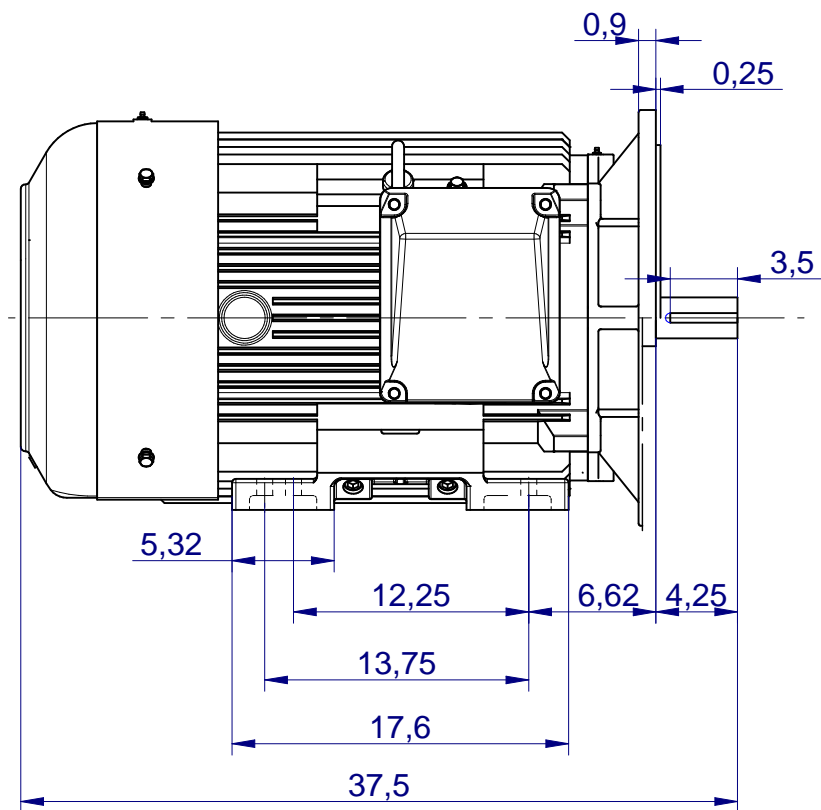


1:10

Drawing is for reference dimensions only and subject to change.



**SIE405TSC L2**



1:10

Drawing is for reference dimensions only and subject to change.



**CELMA**  
**indukta**

**SIE405TSDL2**