

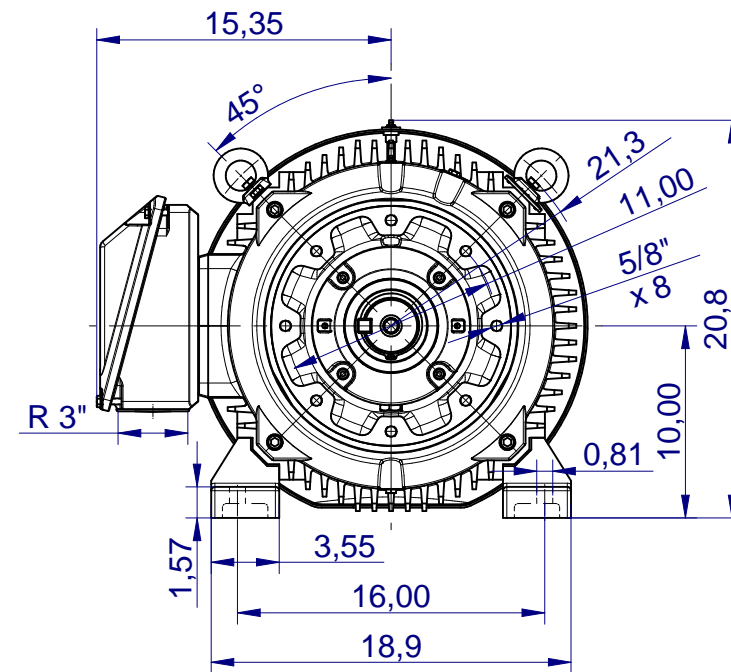
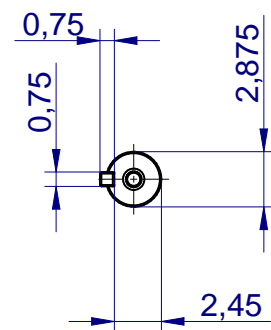
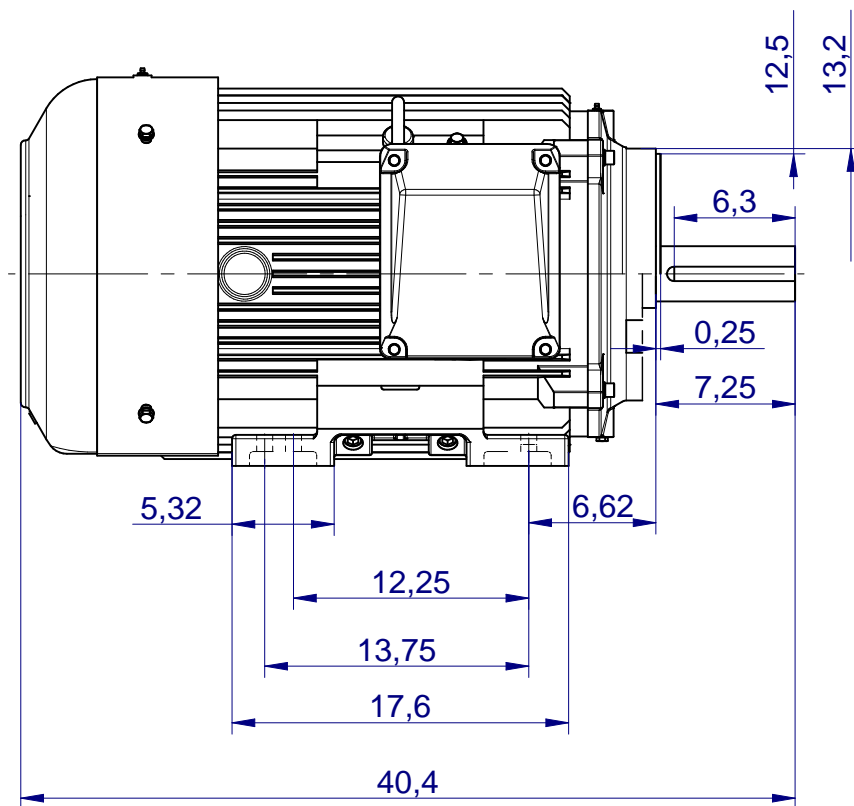
1:10

Drawing is for reference dimensions only and subject to change.

Cantoni[®]
GROUP

CELMA
indukta

SIE400T4_6



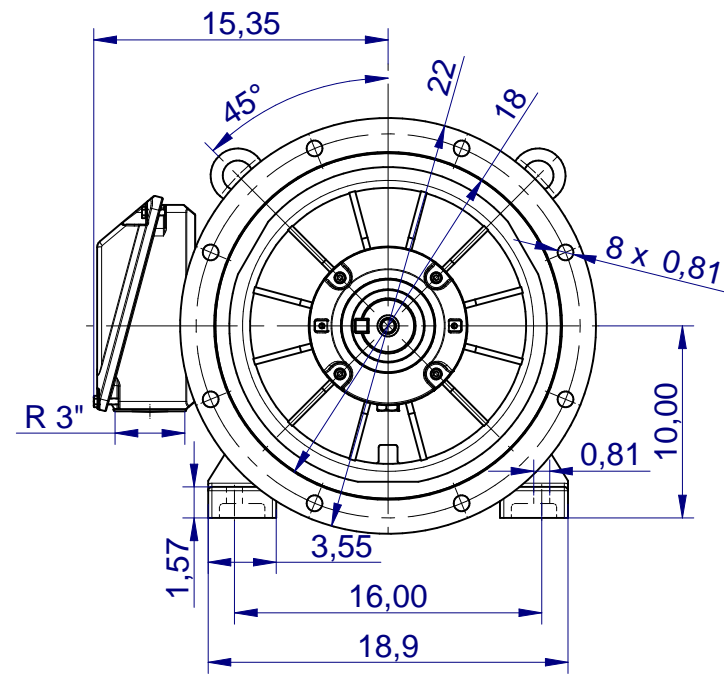
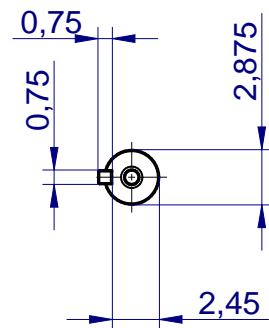
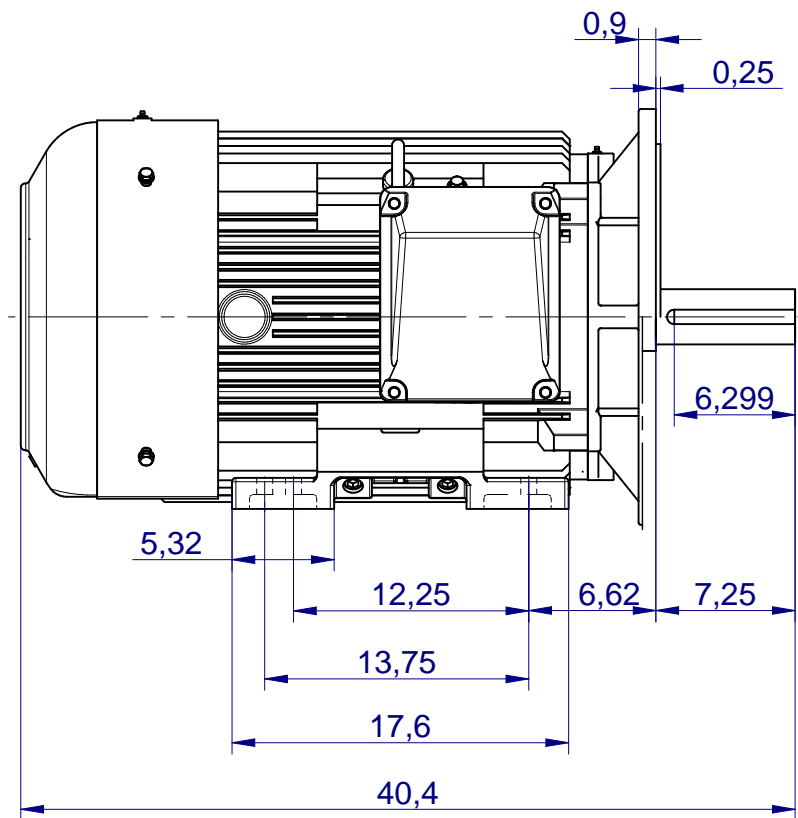
1:10

Drawing is for reference dimensions only and subject to change.

Cantoni[®]
GROUP

CELMA
indukta

SIE400TCL4_6



1:10

Drawing is for reference dimensions only and subject to change.

Cantoni[®]
GROUP

CELMA
indukta

SIE400TDL4_6